

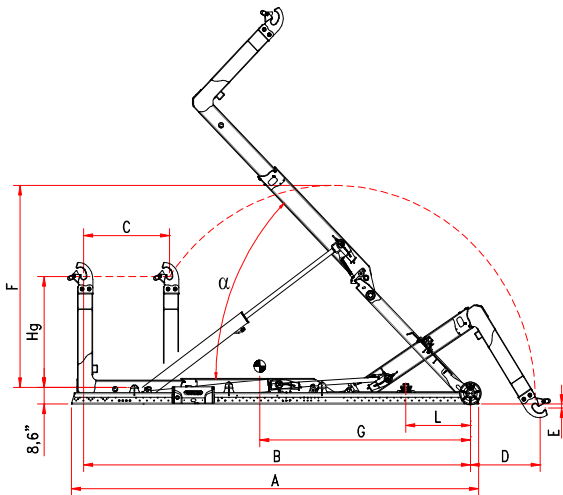


b.o.b. Sistemi Idraulici S.p.A.

unilift®

**COMPANY WITH
QUALITY SYSTEM
CERTIFIED BY DNV GL
= ISO 9001 =**

HOOKLIFT « T 31.000 MS »



MODEL	T 31.000 XC MS	T 31.000 C MS	T 31.000 NC MS	T 31.000 N MS	T 31.000 NL MS	T 31.000 L MS
Hg	53,88"/61,75" (1.369/1.569 mm)	53,88"/61,75" (1.369/1.569 mm)	53,88"/61,75" (1.369/1.569 mm)	53,88"/61,75" (1.369/1.569 mm)	53,88"/61,75" (1.369/1.569 mm)	53,88"/61,75" (1.369/1.569 mm)
A	200" (5.080 mm)	200" (5.080 mm)	200" (5.080 mm)	207,87" (5.280 mm)	215,74" (5.480 mm)	235,43" (5.680 mm)
B	173,22" (4.400 mm)	181,1" (4.600 mm)	204,72" (4.800 mm)	196,85" (5.000 mm)	204,72" (5.200mm)	220,47" (5.400mm)
C	31,49" (800 mm)	39,37" (1.000 mm)	40,74" (1.200 mm)	40,74" (1.200 mm)	40,74" (1.200 mm)	40,74" (1.200 mm)
D	62,2" (1.580 mm)	62,2" (1.580 mm)	62,2" (1.580 mm)	54,33" (1.380 mm)	46,45" (1.180 mm)	38,58" (980 mm)
E	3,93" (100 mm)	3,93" (100 mm)	3,93" (100 mm)	3,93" (100 mm)	3,93" (100 mm)	3,93" (100 mm)
F	113,38" (2.880 mm)	113,38" (2.880 mm)	113,38" (2.880 mm)	113,38" (2.880 mm)	113,38" (2.880 mm)	113,38" (2.880 mm)
G	96,06" (2.440 mm)	97,63" (2.480 mm)	98,81" (2.510 mm)	104,72" (2.660 mm)	110,23" (2.800 mm)	115,74" (2.940 mm)
L	19,64" (500 mm)	19,64" (500 mm)	19,64" (500 mm)	27,55" (700 mm)	35,43" (900 mm)	39,37" (1000 mm)
Weight*	3.700 lb (1.685Kg)	3.700 lb (1.685Kg)	3.700 lb (1.685Kg)	3.760 lb (1.710 Kg)	3.820 lb (1.735 Kg)	3.870 lb (1.760 Kg)
a	55°	55°	55°	51°	48°	45°
Container min. max.	14' - 17' (4.270-5.181 mm)	14' - 17' (4.270-5.181mm)	14' - 18' (4.267-5.486 mm)	14' - 19' (4.267-5.791 mm)	15' - 20' (4.572-6.096 mm)	16' - 21' (4.876-6.400 mm)
LIFTING CAPACITY	31.000 lb (14.090 Kg)	31.000 lb (14.090 Kg)	31.000 lb (14.090 Kg)	31.000 lb (14.090 Kg)	31.000 lb (14.090 Kg)	31.000 lb (14.090 Kg)
TIPPING CAPACITY	31.000 lb (14.090 Kg)	31.000 lb (14.090 Kg)	31.000 lb (14.090 Kg)	31.000 lb (14.090 Kg)	31.000 lb (14.090 Kg)	31.000 lb (14.090 Kg)

*Weight: basic hooklift weight without kit and options

The technical details shown in this sheet are indicative and can be changed by the builder without prior notice

B.O.B. Sistemi Idraulici S.p.A. – Regione Oltre Rea, 32 – 12060 Monchiero (CN) - Italia

P. I.V.A. 00496180043 - Tel.: +39 (0173) 780002/3 – Fax: +39 (0173) 780004

Internet: www.bobspa.com - E-mail: info@bobspa.com