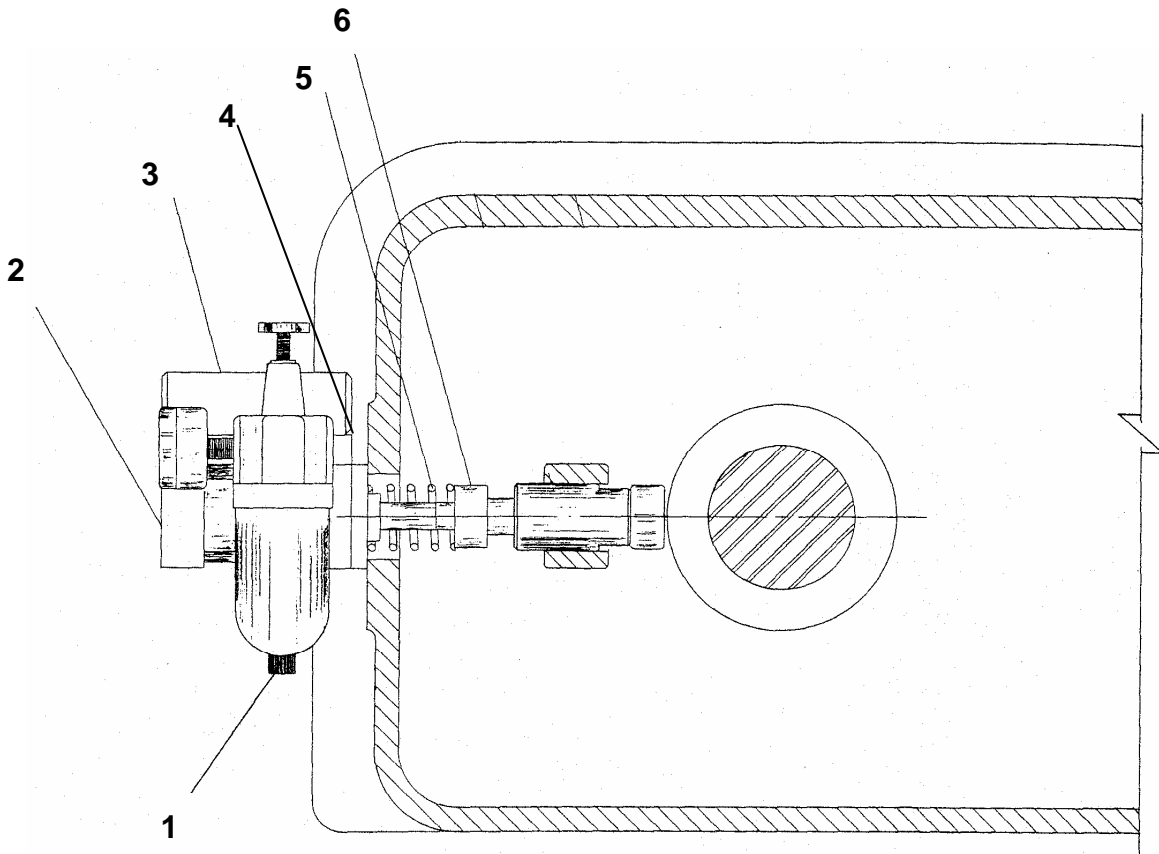


## Electro-Pneumatic 202



Item	Description	Part Number
1	Filter & Regulator	3770-060
2	Cylinder, Air	3743-205
3	Valve, 4-Way	3753-155
4	Manifold	6468-005
5	Spring 2 1/2"	3504-235
	Spring 4 1/2"	3504-242
6	Aligner, Rod End	3745-042