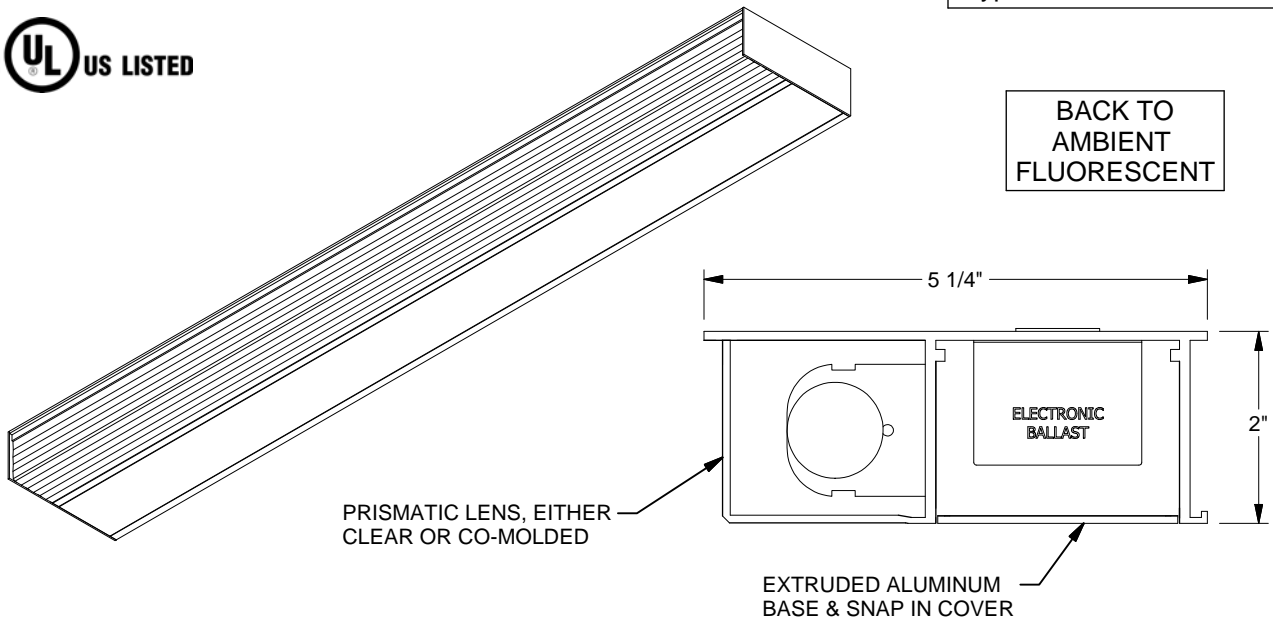




Type: \_\_\_\_\_



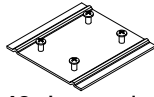
**SPECIFICATIONS**

- Satin anodized aluminum finish is standard. Custom finishes available upon request.
  - High impact prismatic, die formed, clear Polycarbonate lens is standard.
  - Optionally available with co-molded high impact acrylic lens.
  - Low 2" profile allows placement in shallow locations.
  - Luminaires can be wall or surface mounted.
  - Robust housing includes extruded 6063T-5 aluminum base & cover with .060 nominal wall thickness.
  - Fixtures may be mounted individually or in continuous rows. Feed end caps are available, order separately.
  - Fixtures are shipped with blank end caps. For continuous row mounting, simply remove end caps where luminaires meet, and use the internal coupler (provided) to make a seamless link.
  - Available for use with a variety of T8 lamp types. See chart for selection and lengths.
  - All hardwired models include KO's in the base to allow feeding from the back.
  - All units are UL & CUL LISTED damp locations.
  - The factory will be happy to discuss all of your special requests.
- \* If ordered with lamps, 4100°K color temperature is standard, other lamp colors may be available.

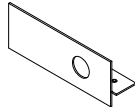
How to build a part number	Product Series	Quantity of T8 lamps	Lamp watts	Ballast voltage	Standard options Suffix part # as required in the sequence below
Part number format	<b>35</b>	<b>1</b>	<b>17</b>	<b>0</b>	
Choices	35	See lamp chart for luminaire lengths. 1 or 2 lamps std.	<b>17</b> <b>25</b> <b>32</b>	<b>0</b> = 120 <b>7</b> = 277 <b>9</b> = 120/277	<b>-WC</b> (6') White 3-wire cord & plug (18ga. SVT) <b>-GC</b> (6') Gray 3-wire cord & plug (18ga. SVT) <b>-F</b> Factory wired fuse <b>-GCO</b> Factory wired Grounded Convenience Outlet <b>-SW</b> Factory wired rocker switch (120V only) <b>-SWD</b> Factory wired decora switch <b>-CM</b> Co-molded lens <b>-41K</b> Lamps included

Type: \_\_\_\_\_

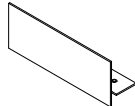
**Accessories and Replacement Parts**



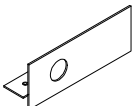
**33043** Internal coupler  
(included in each luminaire)



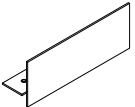
**3510R** Right Feed End



**3510RB** Right end blank  
(included with each luminaire)

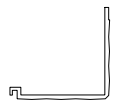


**3510L** Left Feed End



**3510LB** Left end blank  
(included with each luminaire)

**Clear polycarbonate replacement lens**



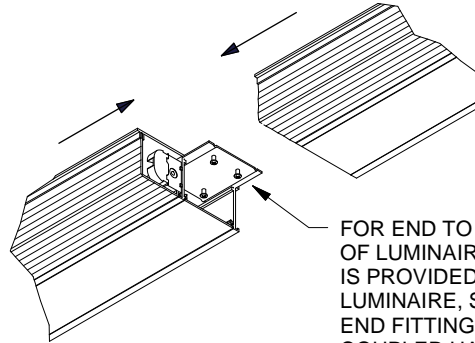
- 350024PC** 24" prismatic lens
- 350036PC** 36" prismatic lens
- 350048PC** 48" prismatic lens

**Co-molded acrylic replacement lens**



- 350024CM** 24" prismatic lens
- 350036CM** 36" prismatic lens
- 350048CM** 48" prismatic lens

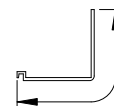
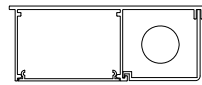
Lamp type	Luminaire O.A.L. (includes end caps)	
	1 LAMP	2 LAMPS
F17T8	24 1/8"	48 1/8"
F25T8	36 1/8"	72 1/8"
F32T8	48 1/8"	96 1/8"



FOR END TO END MOUNTING OF LUMINAIRES, A COUPLER IS PROVIDED WITH EACH LUMINAIRE, SIMPLY REMOVE END FITTINGS AND POSITION COUPLER HALF WAY BETWEEN EACH FIXTURE TO MAKE A SEAMLESS JOINT.

**AVAILABLE DIFFUSERS**

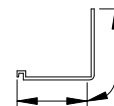
**STANDARD DIFFUSER**



**CLEAR PRISMATIC**  
FOR MAXIMUM LIGHT OUTPUT

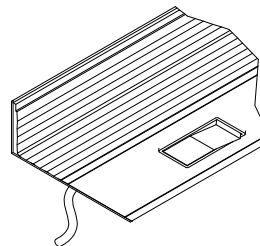
OR

**OPTIONAL CO-MOLDED DIFFUSER**

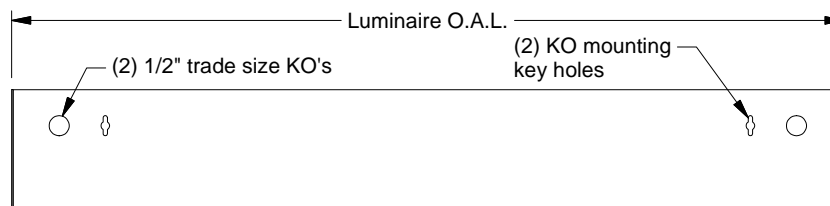


**OPAQUE GRAY SECTION**  
(TO REDUCE GLARE IN EYE LEVEL APPLICATIONS)

**CLEAR PRISMATIC**



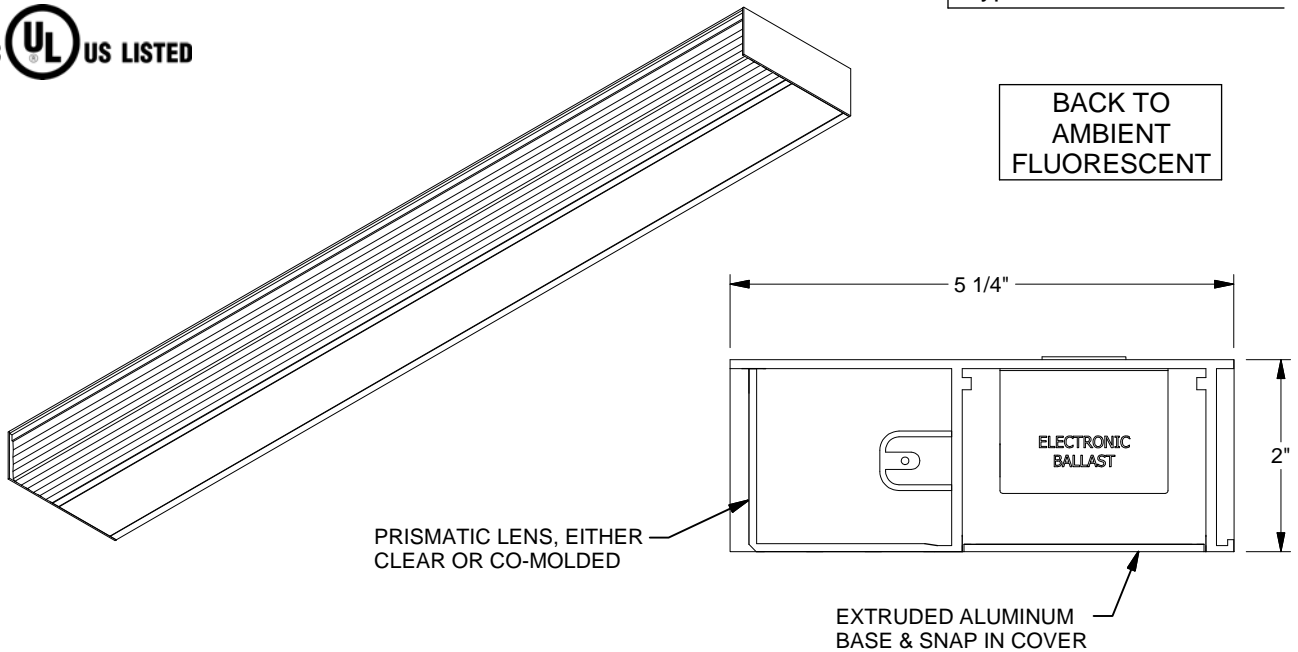
Shown with optional cord and rocker switch



TOP VIEW OF LUMINAIRE



Type: \_\_\_\_\_



**SPECIFICATIONS**

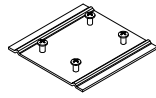
- Satin anodized aluminum finish is standard. Custom finishes available upon request.
  - High impact prismatic, die formed, clear Polycarbonate lenses are standard.
  - Optionally available with co-molded high impact acrylic lens.
  - Low 2" profile allows placement in shallow locations.
  - Luminaires can be wall or surface mounted.
  - Robust housing includes extruded 6063T-5 aluminum base & cover with .060 nominal wall thickness.
  - Fixtures may be mounted individually or in continuous rows. Feed end caps are available, order separately.
  - Fixtures are shipped with blank end caps. For continuous row mounting, simply remove end caps where luminaires meet, and use the internal coupler (provided) to make a seamless link.
  - Available for use with a variety of T5 lamp types. See chart for selection and lengths.
  - All hardwired models include KO's in the base to allow feeding from the back.
  - All units are UL & CUL LISTED damp locations.
  - The factory will be happy to discuss all of your special requests.
- \* If ordered with lamps, 4100°K color temperature is standard, other lamp colors may be available.

How to build a part number	Product Series	Quantity of T5 lamps	Lamp watts	Ballast voltage	Standard options Suffix part # as required in the sequence below
Part number format	<b>35</b>	<b>1</b>	<b>14T5</b>	<b>9</b>	
Choices	35	See lamp chart for luminaire lengths. 1 or 2 lamps std.	<b>14T5</b> <b>21T5</b> <b>28T5</b> <b>35T5</b>	<b>0</b> = 120 <b>7</b> = 277 <b>9</b> = 120/277*	<b>-WC</b> (6') White 3-wire cord & plug (18ga. SVT) <b>-GC</b> (6') Gray 3-wire cord & plug (18ga. SVT) <b>-F</b> Factory wired fuse <b>-GCO</b> Factory wired Grounded Convenience Outlet <b>-SW</b> Factory wired rocker switch (120V only) <b>-SWD</b> Factory wired decora switch <b>-CM</b> Co-molded lens <b>-41K</b> Lamps included

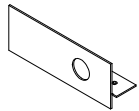
\* Not available for all lamps

Type: \_\_\_\_\_

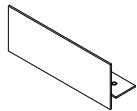
**Accessories and Replacement Parts**



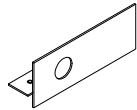
**33043** Internal coupler  
(included in each luminaire)



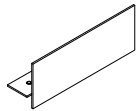
**3510R** Right feed end



**3510RB** Right end blank  
(included with luminaire)



**3510L** Left feed end



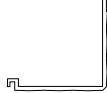
**3510LB** Left end blank  
(included with luminaire)

**Clear polycarbonate replacement lens**

**350022T5PC** 22 3/8" prismatic lens

**350034T5PC** 34 3/16" prismatic lens

**350046T5PC** 46" prismatic lens



**Co-molded acrylic replacement lens**

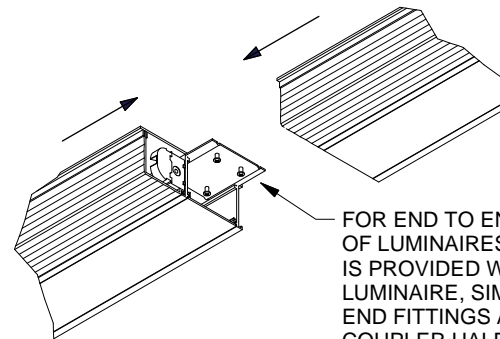
**350022T5CM** 22 3/8" prismatic lens

**350034T5CM** 34 3/16" prismatic lens

**350046T5CM** 46" prismatic lens



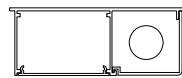
Lamp type	Luminaire O.A.L. (includes end caps)	
	1 LAMP	2 LAMPS
F14T5	22 1/2"	---
F21T5	34 5/16"	68 1/2"
F28T5	46 1/8"	92 1/8"



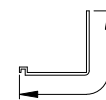
FOR END TO END MOUNTING OF LUMINAIRES, A COUPLER IS PROVIDED WITH EACH LUMINAIRE, SIMPLY REMOVE END FITTINGS AND POSITION COUPLER HALF WAY BETWEEN EACH FIXTURE TO MAKE A SEAMLESS JOINT.

**AVAILABLE DIFFUSERS**

**STANDARD DIFFUSER**

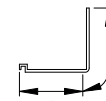


OR



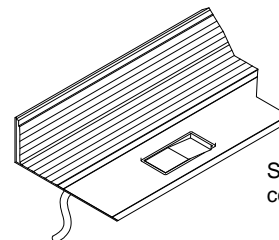
**CLEAR PRISMATIC**  
FOR MAXIMUM LIGHT OUTPUT

**OPTIONAL CO-MOLDED DIFFUSER**

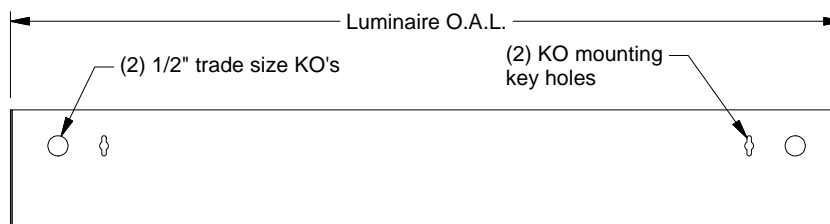


**OPAQUE GRAY SECTION**  
(TO REDUCE GLARE IN EYE LEVEL APPLICATIONS)

**CLEAR PRISMATIC**



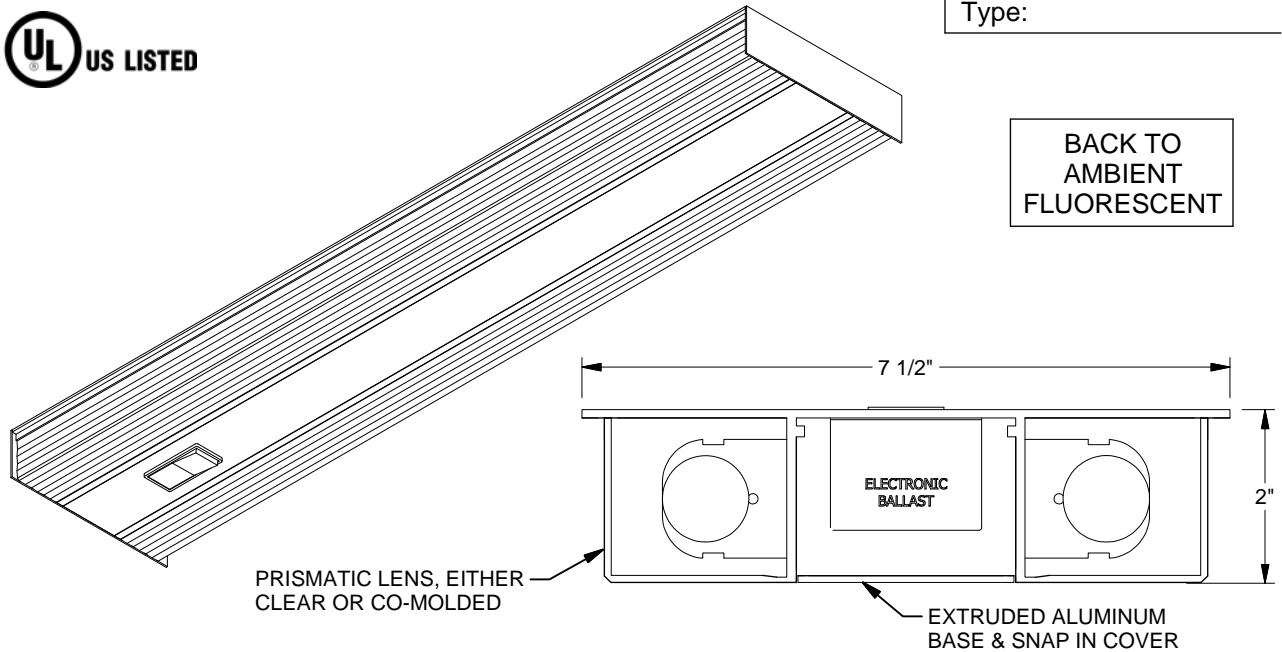
Shown with optional cord and decora switch



TOP VIEW OF LUMINAIRE



Type: \_\_\_\_\_



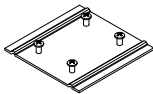
### SPECIFICATIONS

- Satin anodized aluminum finish is standard. Custom finishes available upon request.
  - High impact prismatic, die formed, clear Polycarbonate lenses are standard.
  - Optionally available with co-molded high impact acrylic lens.
  - Low 2" profile allows placement in shallow locations.
  - Luminaires can be wall or surface mounted.
  - Robust housing includes extruded 6063T-5 aluminum base & cover with .060 nominal wall thickness.
  - Fixtures may be mounted individually or in continuous rows. Feed end caps are available, order separately.
  - Fixtures are shipped with blank end caps. For continuous row mounting, simply remove end caps where luminaires meet, and use the internal coupler (provided) to make a seamless link.
  - Available for use with a variety of T8 lamp types. See chart for selection and lengths.
  - All hardwired models include KO's in the base to allow feeding from the back.
  - All units are UL & CUL LISTED damp locations.
  - The factory will be happy to discuss all of your special requests.
- \* If ordered with lamps, 4100°K color temperature is standard, other lamp colors may be available.

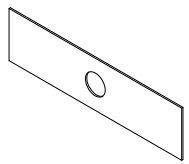
How to build a part number	Product Series	Quantity of T8 lamps	Lamp watts	Ballast voltage	Standard options Suffix part # as required in the sequence below
Part number format	<b>37</b>	<b>2</b>	<b>17</b>	<b>0</b>	
Choices	37	See lamp chart for luminaire lengths. 2 or 4 lamps std.	<b>17</b> <b>25</b> <b>32</b>	<b>0</b> = 120 <b>7</b> = 277 <b>9</b> = 120/277	<b>-WC</b> (6') White 3-wire cord & plug (18ga. SVT) <b>-GC</b> (6') Gray 3-wire cord & plug (18ga. SVT) <b>-F</b> Factory wired fuse <b>-GCO</b> Factory wired Grounded Convenience Outlet <b>-SW</b> Factory wired rocker switch (120V ONLY) <b>-SWD</b> Factory wired decora switch <b>-CM</b> Co-molded lenses <b>-41K</b> Lamps included

Type: \_\_\_\_\_

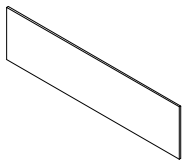
**Accessories and Replacement Parts**



**33043** Internal coupler  
(provided in each luminaire)






**3710D** Feed End Cap






**3710B** Blank end cap  
(included in each luminaire)

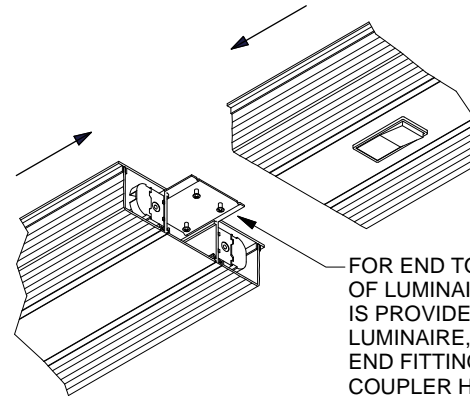
**Clear polycarbonate replacement lens**

-  **350024PC** 24" prismatic lens
-  **350036PC** 36" prismatic lens
-  **350048PC** 48" prismatic lens

**Co-molded acrylic replacement lens**

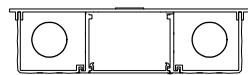
-  **350024CM** 24" prismatic lens
-  **350036CM** 36" prismatic lens
-  **350048CM** 48" prismatic lens

Lamp type	Luminaire O.A.L. (includes end caps)	
	2 LAMP	4 LAMPS
F17T8	24 1/8"	48 1/8"
F25T8	36 1/8"	72 1/8"
F32T8	48 1/8"	96 1/8"



FOR END TO END MOUNTING OF LUMINAIRES, A COUPLER IS PROVIDED WITH EACH LUMINAIRE, SIMPLY REMOVE END FITTINGS AND POSITION COUPLER HALF WAY BETWEEN EACH FIXTURE TO MAKE A SEAMLESS JOINT.

**AVAILABLE DIFFUSERS**



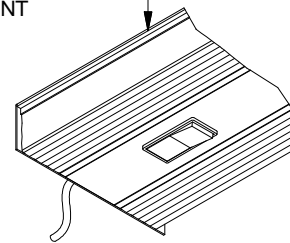
**STANDARD DIFFUSERS**

**CLEAR PRISMATIC**  
FOR MAXIMUM LIGHT OUTPUT

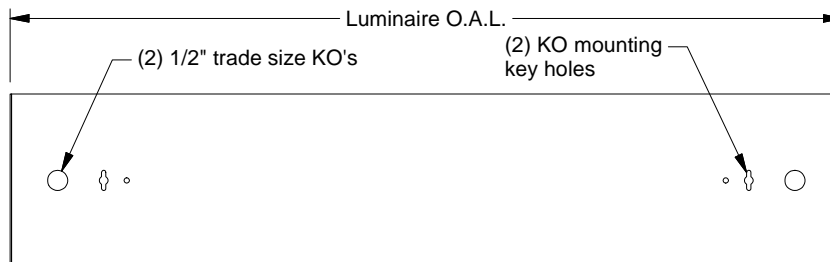
**OPTIONAL CO-MOLDED DIFFUSERS**

**OPAQUE GRAY SECTION**  
(TO REDUCE GLARE IN EYE LEVEL APPLICATIONS)  
**CLEAR PRISMATIC**

SHOWN WITH OPTIONAL CO-MOLDED LENS, WITH OPAQUE FRONT



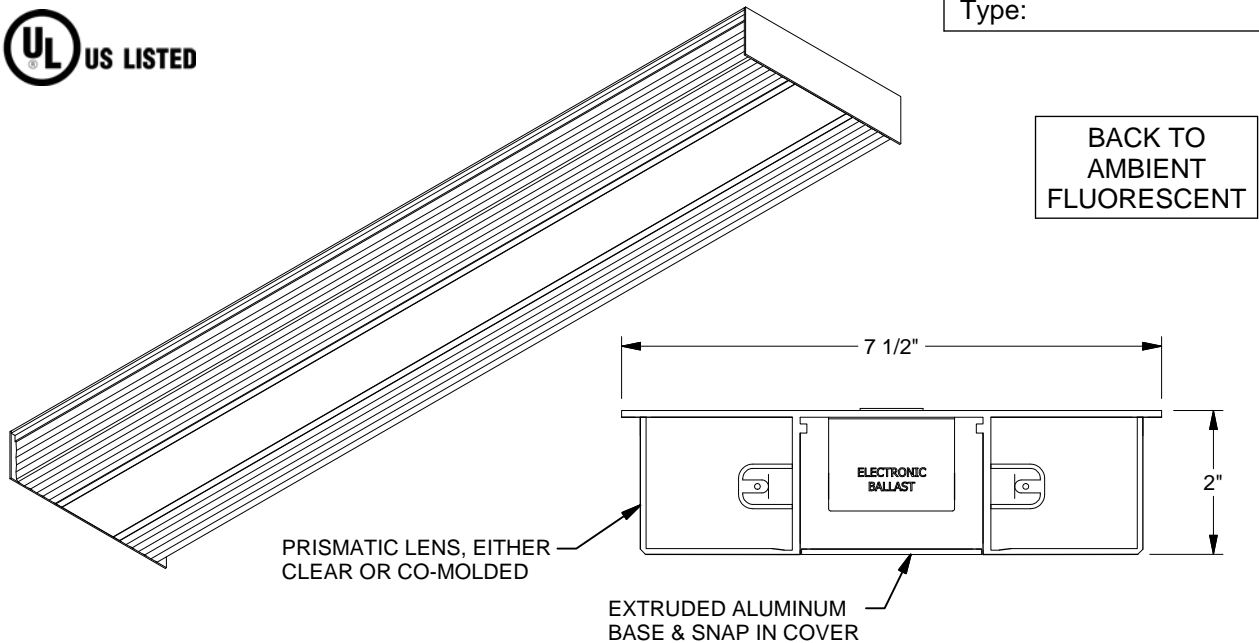
Shown with optional cord and decora switch



**TOP VIEW OF LUMINAIRE**



Type: \_\_\_\_\_



### SPECIFICATIONS

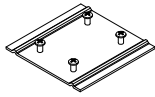
- Satin anodized aluminum finish is standard. Custom finishes available upon request.
  - High impact prismatic, die formed, clear Polycarbonate lenses are standard.
  - Optionally available with co-molded high impact acrylic lenses.
  - Low 2" profile allows placement in shallow locations.
  - Luminaires can be wall or surface mounted.
  - Robust housing includes extruded 6063T-5 aluminum base & cover with .060 nominal wall thickness.
  - Fixtures may be mounted individually or in continuous rows. Feed end caps are available, order separately.
  - Fixtures are shipped with blank end caps. For continuous row mounting, simply remove end caps where luminaires meet, and use the internal coupler (provided) to make a seamless link.
  - Available for use with a variety of T5 lamp types. See chart for selection and lengths.
  - All hardwired models include KO's in the base to allow feeding from the back.
  - All units are UL & CUL LISTED damp locations.
  - The factory will be happy to discuss all of your special requests.
- \* If ordered with lamps, 4100°K color temperature is standard, other lamp colors may be available.

How to build a part number	Product Series	Quantity of T5 lamps	Lamp watts	Ballast voltage	Standard options Suffix part # as required in the sequence below
Part number format	<b>37</b>	<b>2</b>	<b>14T5</b>	<b>9</b>	
Choices	37	See lamp chart for luminaire lengths. 2 or 4 lamps std.	<b>14T5</b> <b>21T5</b> <b>28T5</b> <b>35T5</b>	<b>0</b> = 120 <b>7</b> = 277 <b>9</b> = 120/277*	<b>-WC</b> (6') White 3-wire cord & plug (18ga. SVT) <b>-GC</b> (6') Gray 3-wire cord & plug (18ga. SVT) <b>-F</b> Factory wired fuse <b>-GCO</b> Factory wired Grounded Convenience Outlet <b>-SW</b> Factory wired rocker switch (120V only) <b>-SWD</b> Factory wired decora switch <b>-CM</b> Co-molded lenses <b>-41K</b> Lamps included

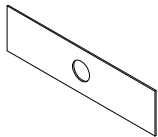
\* Not available for all lamps

Type: \_\_\_\_\_

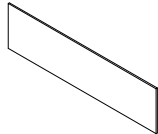
**Accessories and Replacement Parts**



**33043** Internal coupler  
(provided in each luminaire)



**3710D** Feed end cap



**3710B** Blank end cap  
(included in each luminaire)

**Clear polycarbonate replacement lens**

**350022T5PC** 22 3/8" prismatic lens

**350034T5PC** 34 3/16" prismatic lens

**350046T5PC** 46" prismatic lens



**Co-molded acrylic replacement lens**

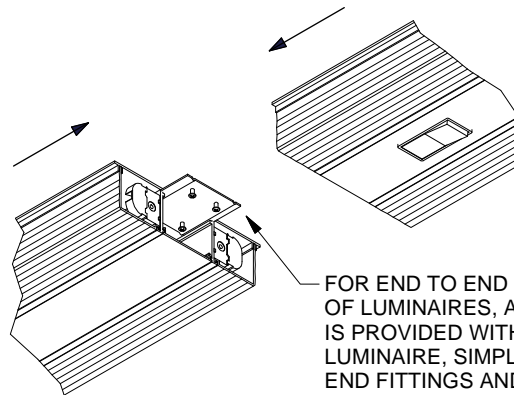
**350022T5CM** 22 3/8" prismatic lens

**350034T5CM** 34 3/16" prismatic lens

**350046T5CM** 46" prismatic lens

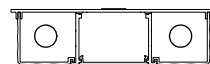


Lamp type	Luminaire O.A.L. (includes end caps)	
	2 LAMP	4 LAMPS
F14T5	22 1/2"	68 1/2"
F21T5	34 5/16"	92 1/8"
F28T5	46 1/8"	



FOR END TO END MOUNTING OF LUMINAIRES, A COUPLER IS PROVIDED WITH EACH LUMINAIRE, SIMPLY REMOVE END FITTINGS AND POSITION COUPLER HALF WAY BETWEEN EACH FIXTURE TO MAKE A SEAMLESS JOINT.

**AVAILABLE DIFFUSERS**



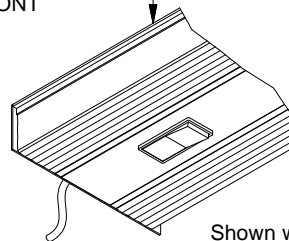
**STANDARD DIFFUSERS**

**CLEAR PRISMATIC**  
FOR MAXIMUM LIGHT OUTPUT

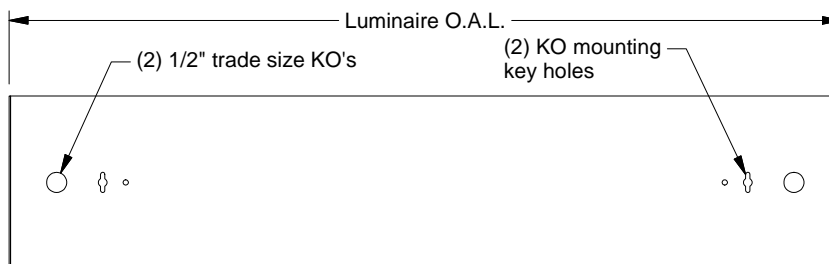
**OPTIONAL CO-MOLDED DIFFUSERS**  
**OPAQUE GRAY SECTION**  
(TO REDUCE GLARE IN EYE LEVEL APPLICATIONS)

**CLEAR PRISMATIC**

SHOWN WITH OPTIONAL CO-MOLDED LENS, WITH OPAQUE FRONT



Shown with optional cord and rocker switch



**TOP VIEW OF LUMINAIRE**