



# LED RETROFIT KIT LIGHTS



## Features

- ✓ Fit to retrofit diverse light fixtures
- ✓ Self power control, overheat protection
- ✓ Special design for mounting frames
- ✓ DLC/UL/CE listed, FCC compliant
- ✓ Soft, uniform, daily light
- ✓ Instantly reaches full brightness

## Benefits

- ✓ Diverse applications, indoor and outdoor
- ✓ Big budget savings to upgrade to LED
- ✓ Big energy savings, service free
- ✓ Easy to install and operate
- ✓ 50,000 hour DLC's rated life
- ✓ 5 year manufacturer warranty
- ✓ Energy Efficiency Rebate eligible

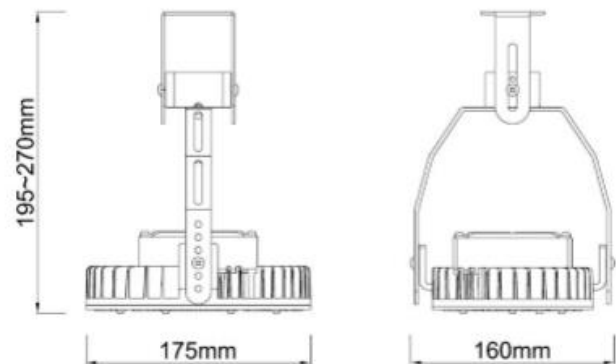
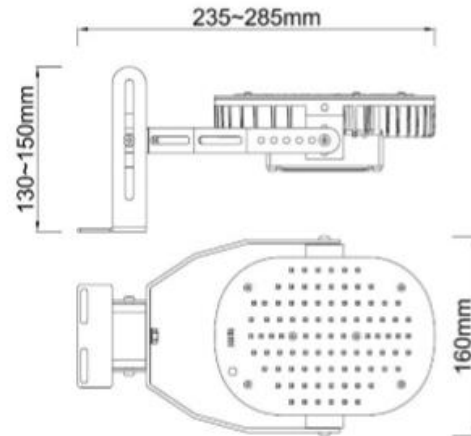
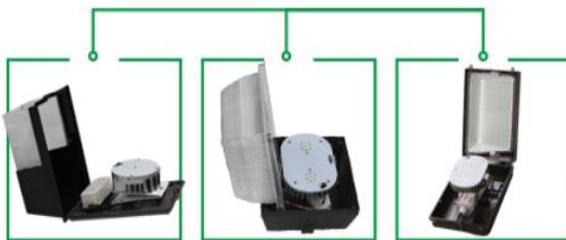
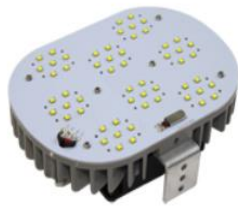
## Specifications

Item Number	Voltage	Power	Lumens
SNC-RK-xxxW	100 – 277 VAC	100/300W	10,500/31,500 LMs
Product Lifetime	Color Temperature	Power Factor	Luminous Efficacy
50,000 Hours	4,000 - 6,500K	>0.95	105 LMs/W
Operating Temp.	DLC Listed Brand	UL Certif. Number	More Product Options
-20°C to 45°C	SNC	E468128	Available upon request

# LED Retrofit Kit Lights Installation Datasheet



GLE LED light retrofit kits are perfect for upgrading diverse outdoor and indoor lighting fixtures in commercial and industrial applications with the minimum costs.



GLE retrofit kit lighting product 120W, mounting fixture dimensions.

## Notice:

- Require a professional to install the retrofit lights.
- Turn off power before installation or any services.
- Detailed installation manual is available to professional installers.
- Make sure the power input voltage match to the product's and all wiring connections must be well insulated.