

LED Parking Lights Installation Instruction

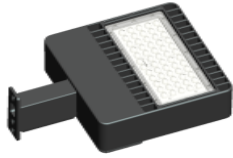


Five different mounting connectors are available:

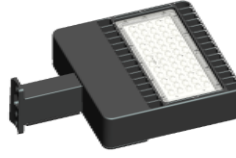
1. Connector A



2. Connector B



3. Connector C



4. Connector D



5. Connector E



I. Products and Applications

Our PL- serial LED lighting products are specifically designed and manufactured for outdoor area lighting applications in the North America, such as parking lot lighting, wall lighting area, street lighting, passageway lighting, industrial lighting and other commercial lighting applications.

All the products are made under highly quality-control process, and are certified and listed in ETL, UL, DLC, CE, etc.

and therefore, are well qualified for incentive rebate programs.

II. Features

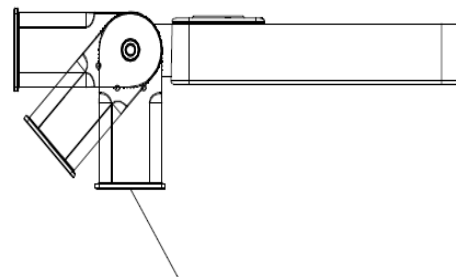
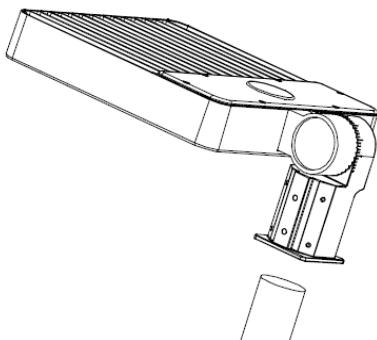
1. MD lens: Suitable to high bay lighting distribution for parking lot applications;
2. Radiator: Hollowed-out type for a better heat dissipation;
3. Installation angle: Adjustable angle mounting connector option from -90° to $+90^{\circ}$; Multiple connectors;
4. Chip maker: Samsung LH351B;
5. Lighting efficiency: $>100\text{LM/W}$.

III. Installation Notes

1. Before installation, please make sure the power is turned off and the lamps and lanterns can be held safely;
2. To insure a secure high-bay light installation, a certified electrician is required to conduct the work by following any local installation code;
3. Please do not use it where there is corrosive gas and any other unsafe environment conditions;
4. Please do not cover the lamp surface by using any material;
5. For the sake of safety, please make sure the earth wire is connected correctly;
6. Any fault caused by decomposition, modification, or improper use is out of warranty coverage;
7. Manufacturer provides 5 years warranty.

IV. Mounting Connector Details:

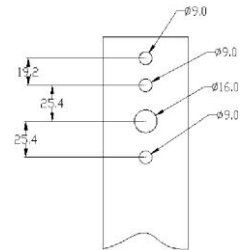
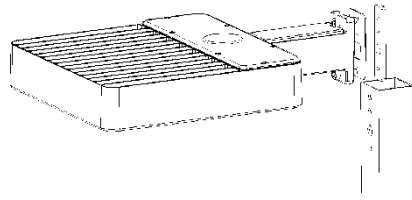
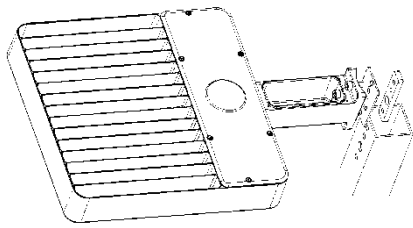
1. Connector A (Round light pole with a diameter 60mm, $2\frac{2}{5}$ ")



Adapter can be rotated

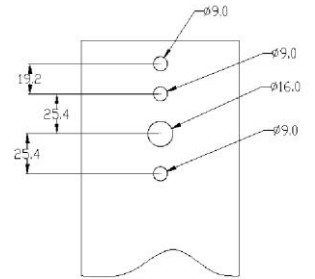
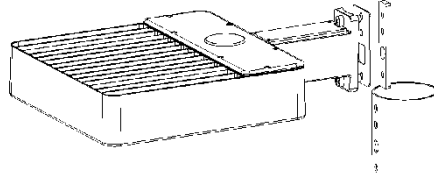
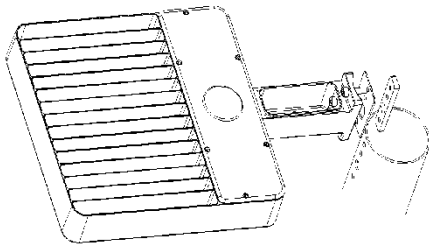


2. Connector B (Square light pole)



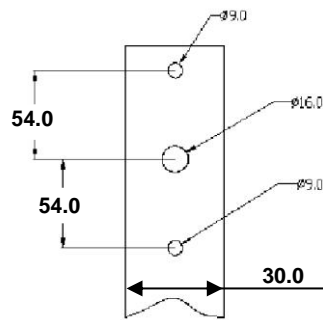
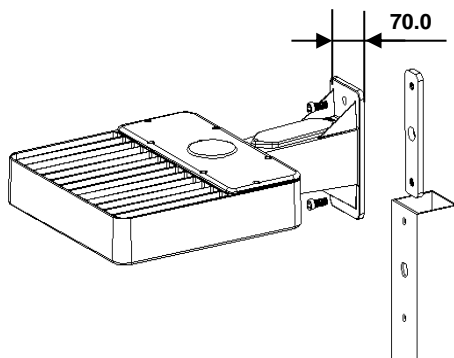
Square light pole

3. Connector C (Round light pole diameter 60mm-114mm)



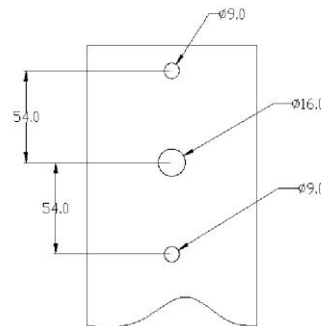
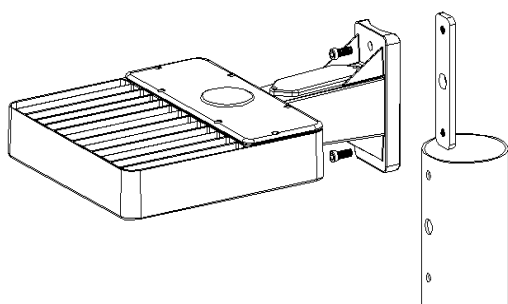
Round light pole

4. Connector D (Square light pole)



square light pole

5. Connector E (Round light pole diameter 60-114mm)



Round light pole

V. Wiring:

Brown: Power
 Yellow/Green: Ground
 Blue: Neutral

