



METRON[®]

USA

CATALOGUE & PRICES

2018

Sofia 2018

Dear business partners

METRON® S.A. is Bulgarian based company with long tradition concerning production/conception of furniture.

METRON® is recognized as the premier kitchen and home design leader. Founded in 1994, till today our brand served on quality and rigorous delivery time, our most valuable business basis.

Our goal is to provide our clients an experience that is truly exceptional, a confluence of sophisticated design and unique, high quality products with the utmost attention to detail.

As a manufacturer with 20 years of experience we have ability to understand and deliver on our client's requirements by our equipped with up-to-date machinery and well trained, motivated staff which enables on time deliveries in the domestic and foreign market.

As we already made our brand popular by delivering the most high quality products around the world through our business partners in Australia, Germany, Sweden, UAE, USA, Viet Nam, Greece, France, Belgium and the Balkans. We are working successfully with more than 40 distributors' showrooms, which cover our domestic market.

We strive to set up high standards in the executive furniture market by introducing new methods and materials into the manufacturing process, as well as offering new product designs on a regular basis.

To ensure high quality and environmental protection of products, all materials are selected carefully from ISO9001:2008 certified environmentally-friendly companies.

We would be delighted if we can satisfy your needs and expectations.

With best regards,

METRON® S.A.



CERTIFICATE

N° CN/14677IQ

certifies that:

METRON AD


Head office and Showroom: 146, G. S. Rakovski Str., 1142 Sofia, Bulgaria



operates a management system that has been assessed as conforming to:

ISO 9001 : 2015

for the scope of activities:
Design, manufacture, assembly and sale of modular furniture. Sale of bathroom furnishing.

Issue date: **20 December 2017**
Valid until: **13 October 2019** (Subject to adherence to the agreed ongoing programme, successful endorsement of certification following each audit and compliance with the terms and conditions of certification.)
Original date of certification: **14 October 2013**

Xavier Daniel, Operations Director


SOCOTEC Certification UK Delta Business Park - Swindon SN5 7XP - UNITED KINGDOM
www.socotec-certification-international.com

IDF100 Rev 2.0 COI-23022017-EN-UK



CERTIFICATE

N° CN/14677IE

certifies that:

METRON AD

Head office and Showroom: 146, G. S. Rakovski Str., 1142 Sofia, Bulgaria

operates a management system that has been assessed as conforming to:

ISO 14001 : 2015

for the scope of activities:
Design, manufacture, assembly and sale of modular furniture. Sale of bathroom furnishing.

Issue date: **20 December 2017**
Valid until: **13 October 2019** (Subject to adherence to the agreed ongoing programme, successful endorsement of certification following each audit and compliance with the terms and conditions of certification.)
Original date of certification: **10 October 2014**

Xavier Daniel, Operations Director





SOCOTEC Certification UK Delta Business Park - Swindon SN5 7XP - UNITED KINGDOM
www.socotec-certification-international.com

IDF100 Rev 2.0 COI-23022017-EN-UK



CERTIFICATE

N° CN/14677IHS

certifies that:

METRON AD

Head office and Showroom: 146, G. S. Rakovski Str., 1142 Sofia, Bulgaria

operates a management system that has been assessed as conforming to:

OHSAS 18001 : 2007

for the scope of activities:
Design, manufacture, assembly and sale of modular furniture. Sale of bathroom furnishing.

Issue date: **20 December 2017**
Valid until: **13 October 2019** (Subject to adherence to the agreed ongoing programme, successful endorsement of certification following each audit and compliance with the terms and conditions of certification.)
Original date of certification: **10 October 2014**

Xavier Daniel, Operations Director





SOCOTEC Certification UK Delta Business Park - Swindon SN5 7XP - UNITED KINGDOM
www.socotec-certification-international.com

IDF100 Rev 2.0 COI-23022017-EN-UK

DRAWER SYSTEMS

InnoTech Atira

- Silver, Sharp contours
- Double-walled high-quality powder-coated steel sides
- Full extension **Quadro V6** runner with **Silent System** (soft-closure) with reduced noise
- Up to 50 kg total load
- Quick insertion and removal of the drawer
- Railing set for deep drawers
- Steel back panel (for standart base drawer units only)



HINGES

Sensys

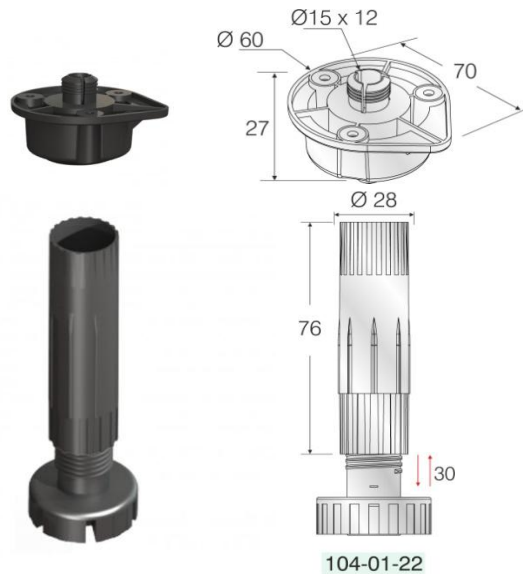
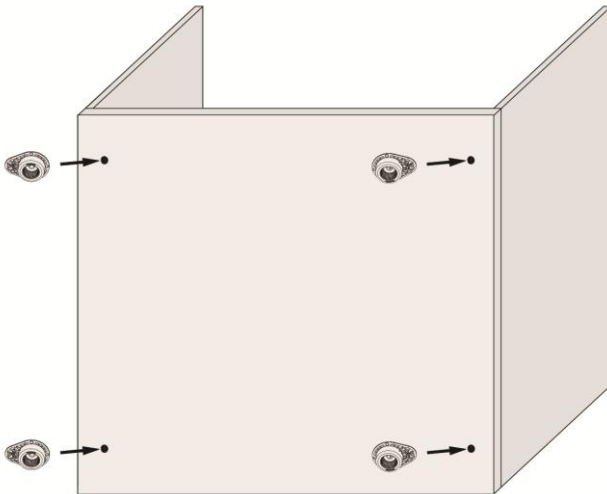


- Clean contemporary design
- Modern cup and arm cover caps
- High-performance **Silent System** damping system invisibly integrated in
- Fast screw-on
- Hinge and mounting plate with a perfect
- Higly practical height and depht
- Ergonomical fast-on assembly and disassembly



ADJUSTABLE LEGS

Volpato



- Leg with separated base systems
- Superior mechanical resistance;
- Superior resistance to humidity and aging
- Compression resistance higher than 400kg/leg

PACKAGING AND ASSEMBLING

Flat Pack

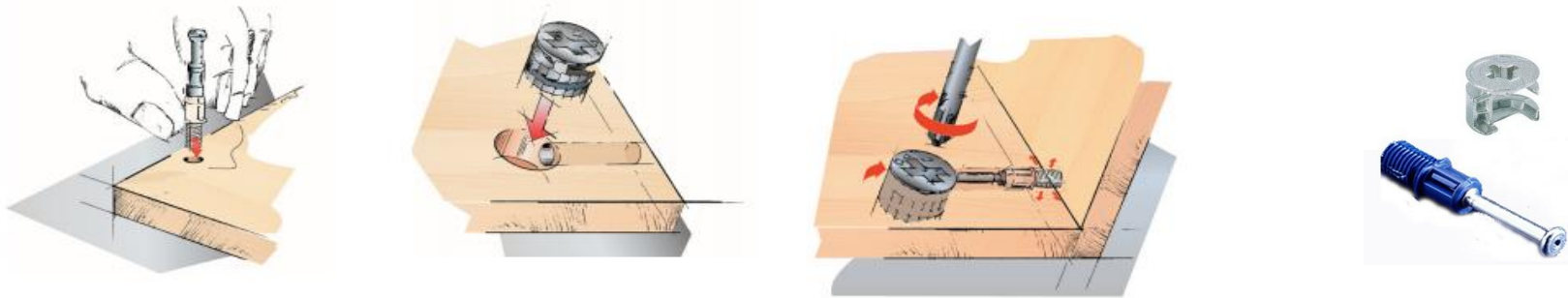
For your own comfort and ease of transportation and carrying, we provide all our kitchens a flat pack carton boxes with additional impact resistance wrap. Flat pack usage gives the opportunity to load and transport much more kitchens by container or full truck, which helps to decrease the final price of the product.

No drilling required

All holes for fittings, shelf supports, adjustable legs, hinges and drawer slides are predrilled using precision multi-boring machines. The units are supplied complete with all hardware required to assemble each cupboard carcass, including fittings and shelf supports where loose shelves are included in the kit. Drawer slides, hinges and adjustable legs are also included in each cupboard toolkit. All cupboards are supplied with 8 mm solid chipboard back in the same colour as the carcass.

Rapid S - Easy to assemble

The new quick-connect dowel with a steel pin. Slender, light and immensely strong. Assembly requires no tools – the dowel is simply pressed in by hand. Rapid S and Rastex together make a perfect pair.



5 Years gurantee

METRON S.A. has a unique guarantee. When you purchase your **METRON®** furniture, **METRON S.A.** gives you full **5-year guarantee** for cabinets, doors, drawer fronts, worktops, fittings and accessories provided by **METRON S.A.**

In the unlikely event of any defects arising during that time due to faulty manufacture or materials, **METRON S.A.** guarantees to repair or replace any faulty components, provided they have not been subject to any form of maltreatment.

WALL CABINET MECHANISMS

Aventos HF



The **AVENTOS HF** bi-fold lift system is the ideal solution for high and mid height wall units. Thanks to the two-piece front, the overhead space requirement is reduced even for tall cabinets. There are therefore many design options available for the wall cabinet.



Aventos HS



With the **AVENTOS HS**, even large, one-part fronts appear to defy gravity by swinging up effortlessly. There's enough space for design features such as crown mouldings or cornices.



Aventos HL



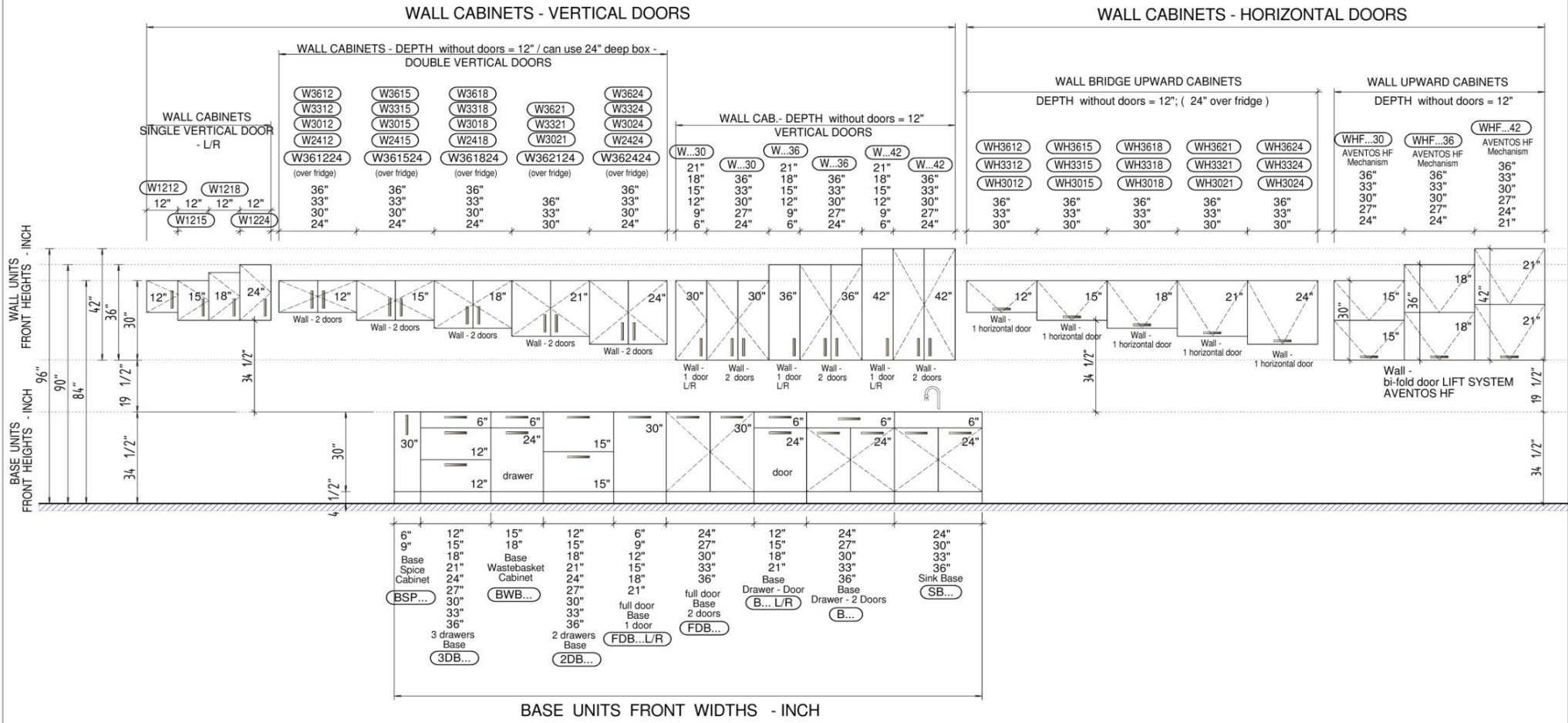
The **AVENTOS HL** lift up is the ideal solution for small-area, single-piece fronts. As the front moves upwards parallel to the cabinet with this application, special installation situations, such as the installation of electrical equipment in the high cabinet, can be implemented to best effect.



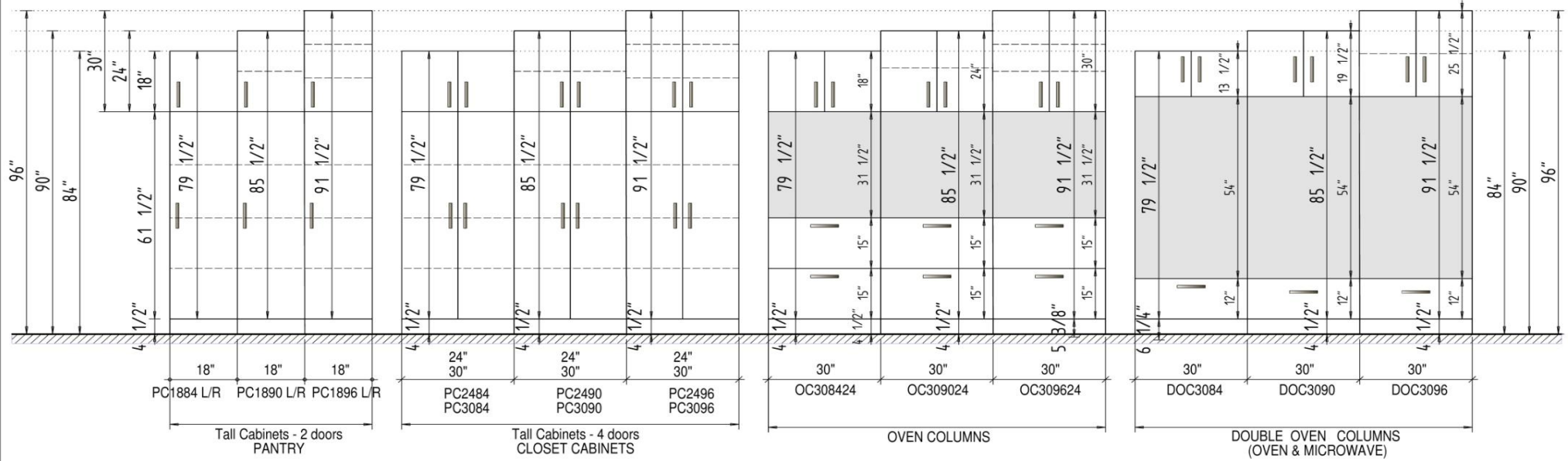
MODULARITY - BASE & WALL CABINETS - SHEET 1

18.04.2018

WALL CABINETS - DEPTH without doors = 12"



BASE CABINETS - DEPTH without doors = 24"



BASE UNITS FRONT WIDTHS - INCH

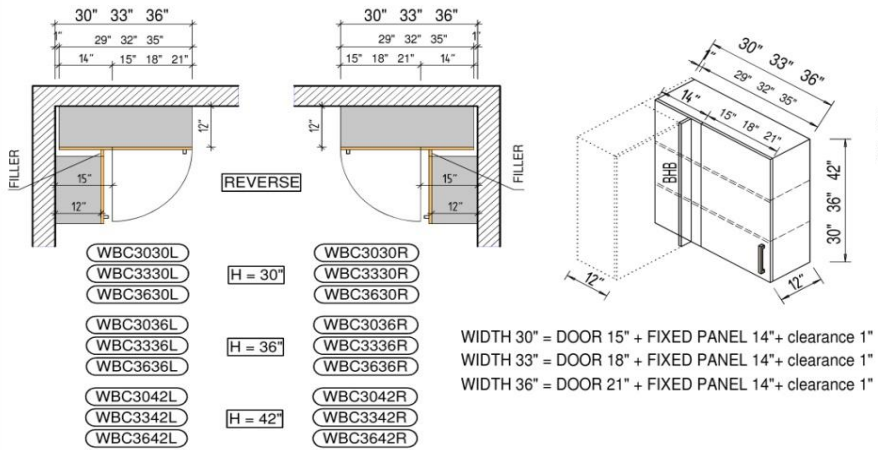
TALL CABINETS - DEPTH without doors = 24"

MODULARITY - BASE & WALL CORNER CABINETS - SHEET 3

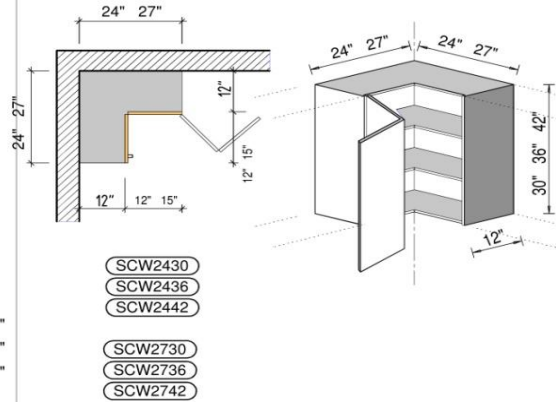
18.04.2018

WALL CABINETS - DEPTH without doors = 12"

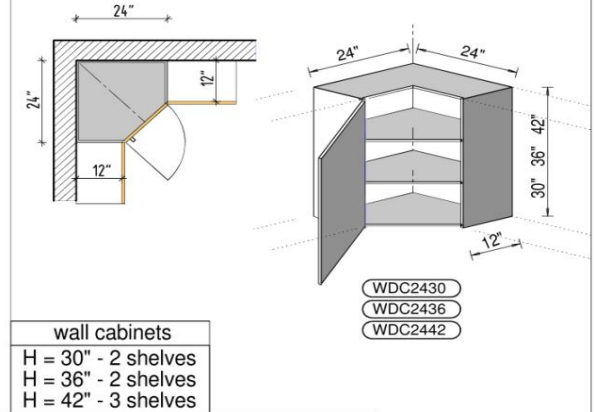
Wall Blind Cabinets



Square Corner Wall Cabinets

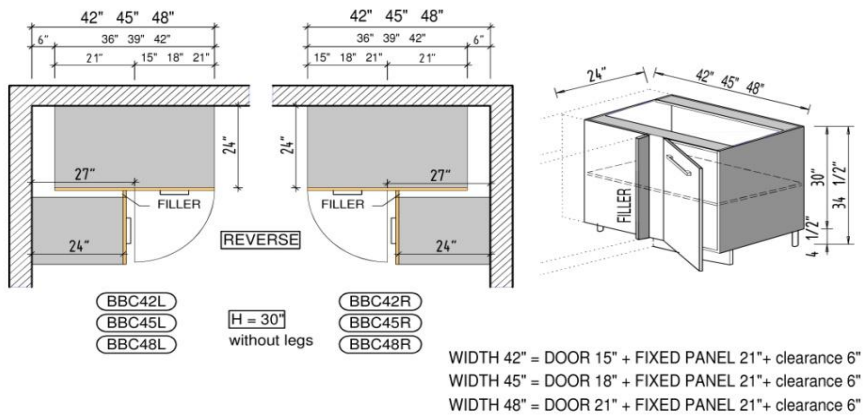


Wall Diagonal Cabinets

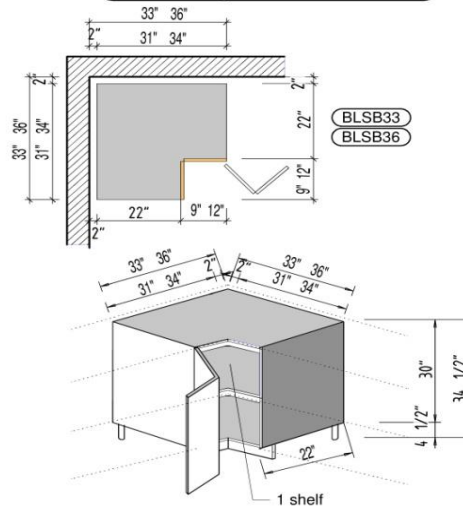


THE OPENING DIRECTION OF THE DOOR DEFINE THE CABINET AS L / R

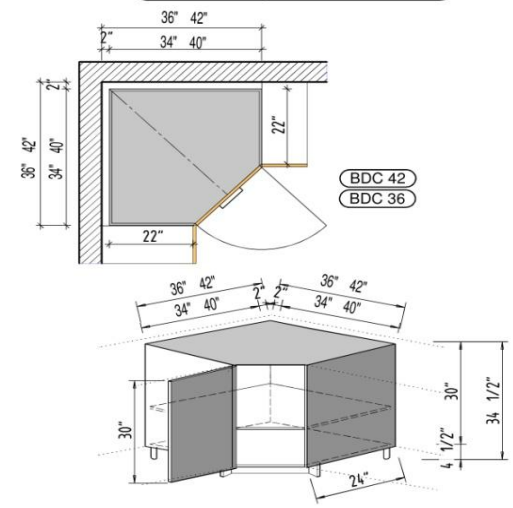
Base Blind Cabinets



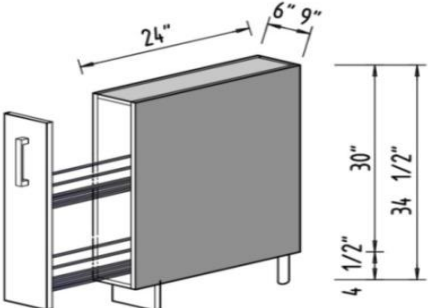
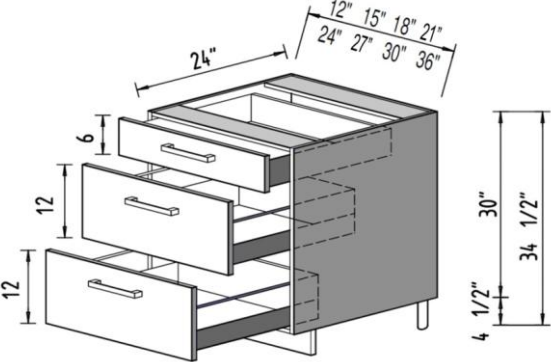
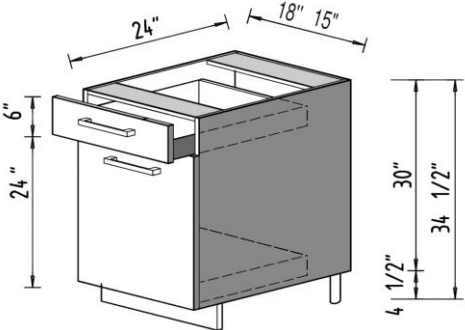
Base Lazy Susan Cabinets




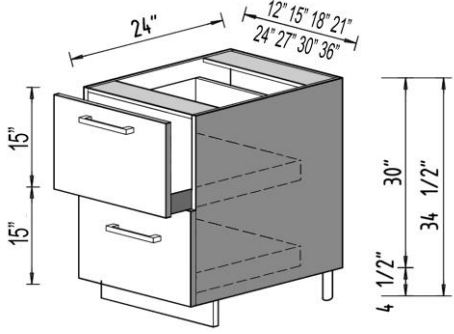
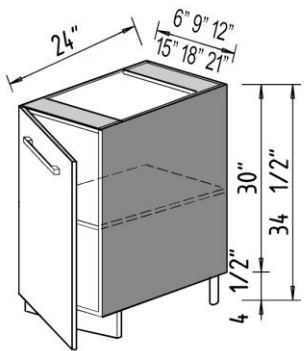
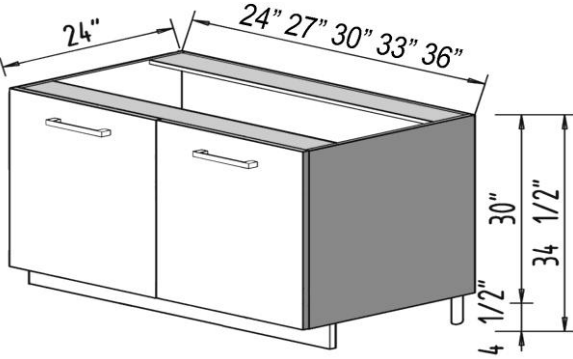
Base Diagonal Cabinets



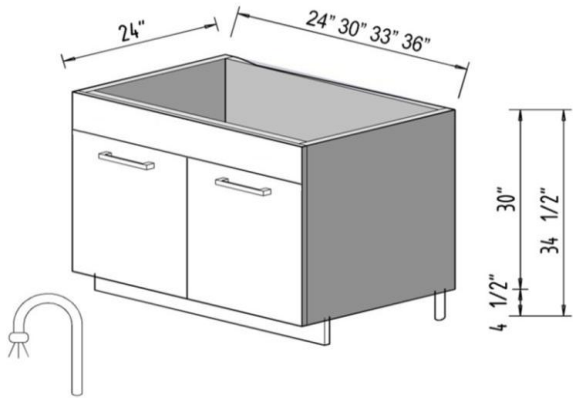
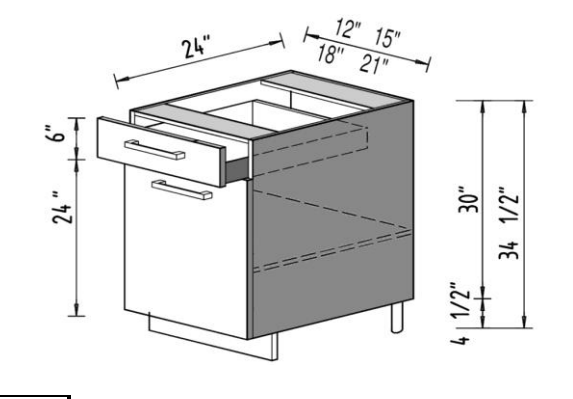
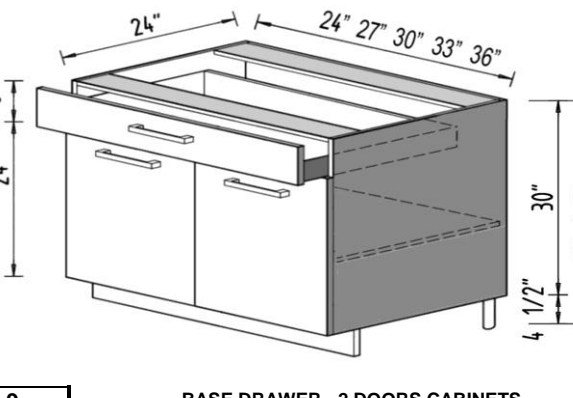
BASE CABINETS - DEPTH without doors = 24" / HEIGHT = 34 1/2" with legs

BASE CABINETS		PRICE								CODE
		CODES	Opening	C	D	E	F	RA	RAC	RHC
	BSP06		\$164	\$175	\$181	\$271	-	-	-	BSP06
	BSP09		\$184	\$200	\$209	\$349	-	-	-	BSP09
	Prices are without HANDLES and MECHANISM									
1	SPICE BASE CABINET									
	3DB12		\$779	\$800	\$812	\$1 001	-	-	-	3DB12
	3DB15		\$807	\$833	\$847	\$1 085	-	-	-	3DB15
	3DB18		\$834	\$866	\$883	\$1 170	-	-	-	3DB18
	3DB21		\$862	\$899	\$918	\$1 254	-	-	-	3DB21
	3DB24		\$890	\$932	\$954	\$1 340	-	-	-	3DB24
	3DB27		\$916	\$963	\$988	\$1 423	-	-	-	3DB27
	3DB30		\$945	\$997	\$1 025	\$1 509	-	-	-	3DB30
	3DB33		\$959	\$1 017	\$1 047	\$1 580	-	-	-	3DB33
	3DB36		\$1 000	\$1 063	\$1 096	\$1 678	-	-	-	3DB36
	Prices are without HANDLES									
2	3 DRAWERS BASE CABINET									
	BWB15		\$606	\$632	\$646	\$883	-	-	-	BWB15
	BWB18		\$628	\$660	\$676	\$963	-	-	-	BWB18
	Prices are without HANDLES									
3	BASE WASTEBASKET CABINET									


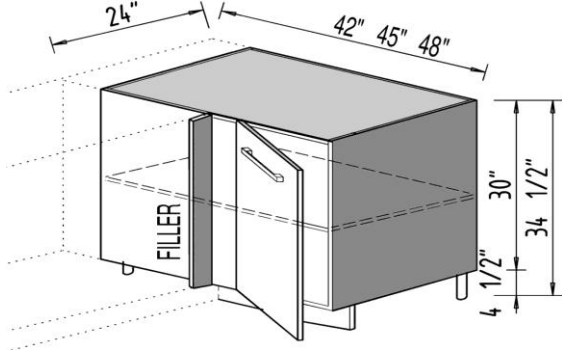
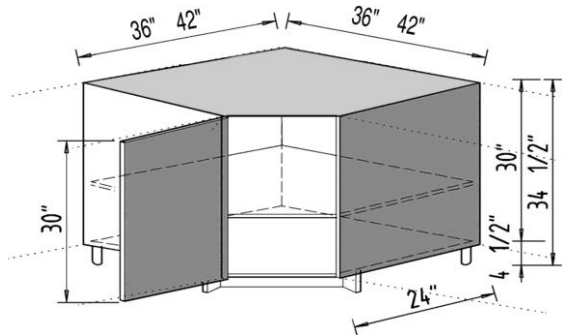
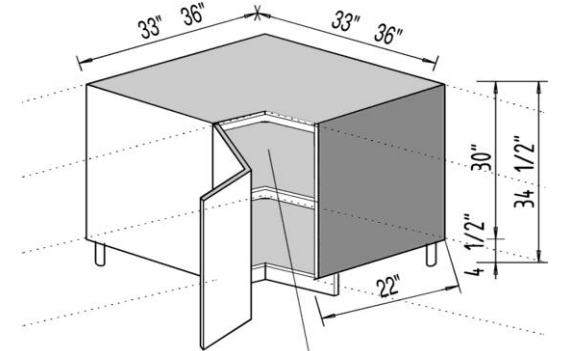
All prices are without HANDLES and PLINTH

BASE CABINETS	PRICE									CODE
	CODES	Opening	C	D	E	F	RA	RAC	RHC	
	2DB12		\$611	\$632	\$643	\$831	-	-	-	2DB12
	2DB15		\$634	\$660	\$674	\$911	-	-	-	2DB15
	2DB18		\$657	\$689	\$705	\$991	-	-	-	2DB18
	2DB21		\$683	\$720	\$739	\$1 074	-	-	-	2DB21
	2DB24		\$704	\$746	\$768	\$1 153	-	-	-	2DB24
	2DB27		\$723	\$771	\$795	\$1 229	-	-	-	2DB27
	2DB30		\$751	\$803	\$830	\$1 313	-	-	-	2DB30
	2DB33		\$764	\$829	\$857	\$1 383	-	-	-	2DB36
	2DB36		\$785	\$848	\$882	\$1 464	-	-	-	2DB36
	Prices are without HANDLES									
4	2 EQUAL DRAWER BASE CABINETS									
	FDB06	L/R	\$205	\$216	\$222	\$313	-	-	-	FDB06
	FDB09	L/R	\$229	\$245	\$253	\$394	-	-	-	FDB09
	FDB12	L/R	\$236	\$257	\$268	\$458	-	-	-	FDB12
	FDB15	L/R	\$253	\$280	\$293	\$533	-	-	-	FDB15
	FDB18	L/R	\$271	\$302	\$319	\$607	-	-	-	FDB18
	FDB21	L/R	\$288	\$325	\$344	\$682	-	-	-	FDB21
Prices are without HANDLES										
5	FULL DOOR BASE CABINET									
	FDB24		\$343	\$385	\$408	\$797	-	-	-	FDB24
	FDB27		\$355	\$398	\$420	\$809	-	-	-	FDB27
	FDB30		\$378	\$431	\$458	\$946	-	-	-	FDB30
	FDB33		\$394	\$453	\$483	\$1 020	-	-	-	FDB33
	FDB36		\$413	\$476	\$509	\$1 095	-	-	-	FDB36
Prices are without HANDLES										
6	2 FULL DOORS BASE CABINET									


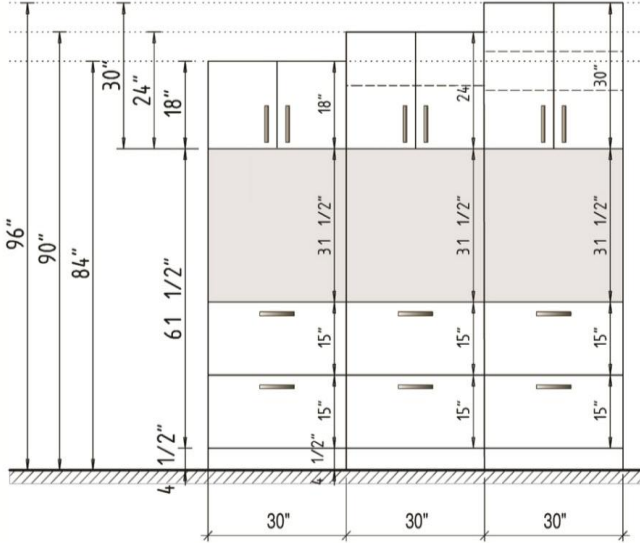
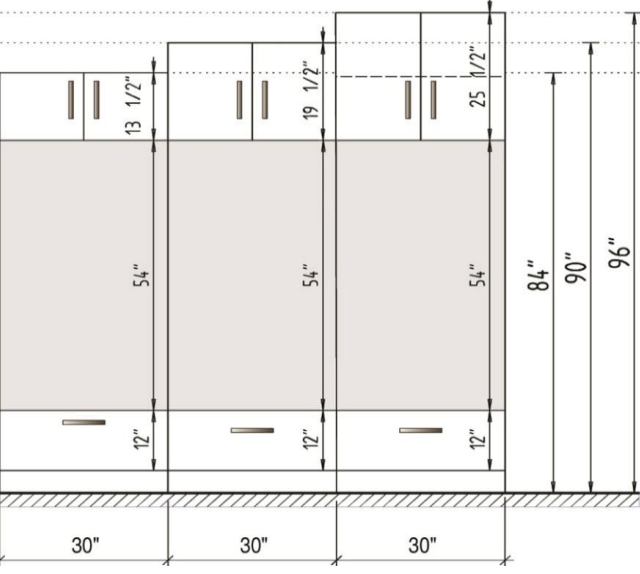
All prices are without HANDLES and PLINTH

BASE CABINETS		PRICE								CODE
		CODES	Opening	C	D	E	F	RA	RAC	RHC
 <p>24" 24" 30" 33" 36"</p> <p>30" 34 1/2" 4 1/2"</p>	SB24		\$343	\$385	\$408	\$797	-	-	-	SB24
	SB30		\$378	\$431	\$458	\$946	-	-	-	SB30
	SB33		\$394	\$453	\$483	\$1 020	-	-	-	SB33
	SB36		\$413	\$476	\$509	\$1 095	-	-	-	SB36
	Prices are without HANDLES									
7	2 DOORS BASE CABINETS (SINK)									
 <p>24" 12" 15" 18" 21"</p> <p>6" 24" 30" 34 1/2" 4 1/2"</p>	B12	L/R	\$428	\$449	\$461	\$649	-	-	-	B12
	B15	L/R	\$433	\$460	\$474	\$711	-	-	-	B15
	B18	L/R	\$455	\$487	\$503	\$789	-	-	-	B18
	B21	L/R	\$473	\$510	\$529	\$864	-	-	-	B21
	Prices are without HANDLES									
8	BASE DRAWER - DOOR CABINETS									
 <p>24" 24" 27" 30" 33" 36"</p> <p>6" 24" 30" 34 1/2" 4 1/2"</p>	B24		\$499	\$541	\$563	\$947	-	-	-	B24
	B27		\$542	\$589	\$614	\$1 049	-	-	-	B27
	B30		\$564	\$616	\$644	\$1 127	-	-	-	B30
	B33		\$585	\$643	\$674	\$1 206	-	-	-	B33
	B36		\$607	\$670	\$703	\$1 285	-	-	-	B36
	Prices are without HANDLES									
9	BASE DRAWER - 2 DOORS CABINETS									


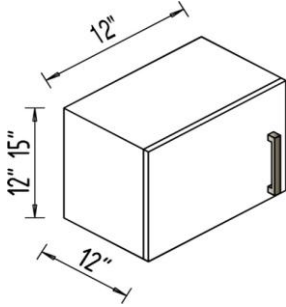
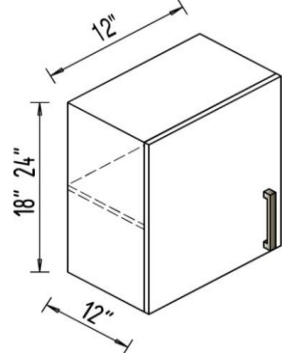
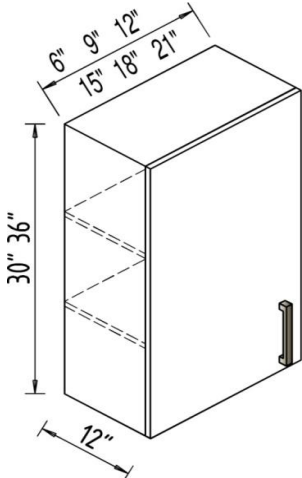
All prices are without HANDLES and PLINTH

BASE CABINETS	PRICE									CODE
	CODES	Opening	C	D	E	F	RA	RAC	RHC	
 <p>24" 42" 45" 48" 30" 34 1/2" 4 1/2"</p>	BBC42	L/R	\$421	\$490	\$525	\$1 161	-	-	-	BBC42
	BCC45	L/R	\$440	\$514	\$552	\$1 238	-	-	-	BCC45
	BBC48	L/R	\$469	\$543	\$581	\$1 266				BBC48
	Prices are without HANDLES									
10	BASE BLIND CABINET - 1 DOOR									
 <p>36" 42" 36" 42" 30" 34 1/2" 4 1/2" 24"</p>	BDC36	L/R	\$402	\$429	\$444	\$692	-	-	-	BDC36
	BDC42	L/R	\$477	\$519	\$541	\$928	-	-	-	BDC42
	Prices are without HANDLES									
	11	DIAGONAL CABINETS								
 <p>33" 36" 33" 36" 30" 34 1/2" 4 1/2" 22"</p> <p>1 shelf</p>	BLS33	L/R	\$427	\$469	\$491	\$881	-	-	-	BLS33
	BLS36	L/R	\$474	\$516	\$539	\$928	-	-	-	BLS36
	Prices are without HANDLES									
	12	SUPER SQUARE CORNET BASE								


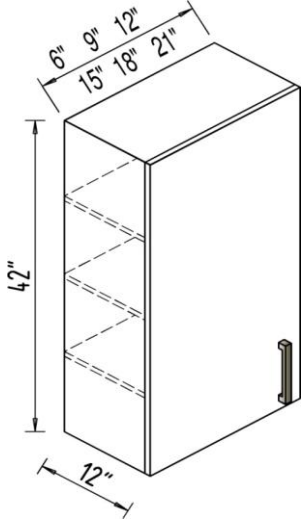
All prices are without HANDLES and PLINTH


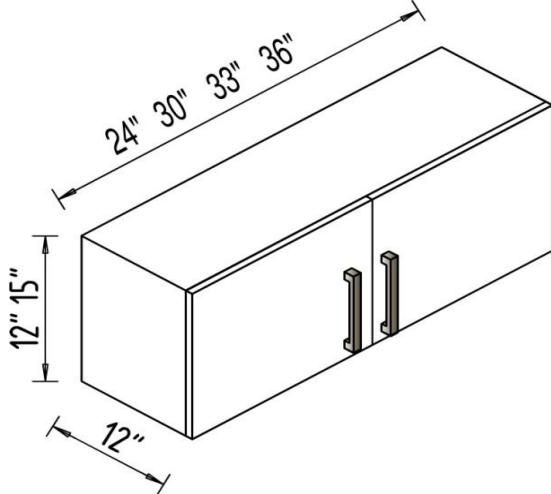
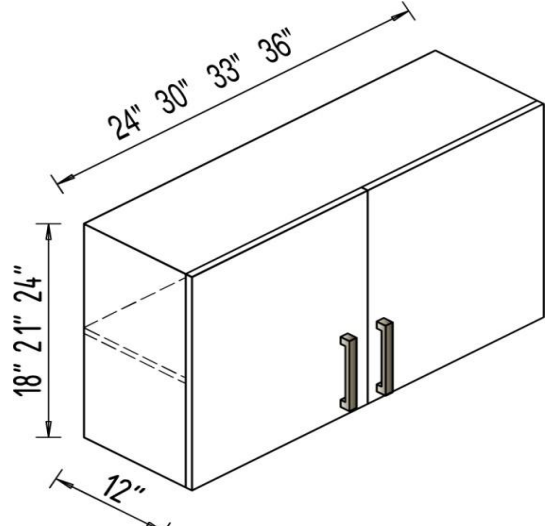
TALL CABINETS		PRICE								CODE	
		CODES	Opening	C	D	E	F	RA	RAC	RHC	
		OC308424		\$1 120	\$1 216	\$1 209	\$2 017	-	-	-	OC308424
		OC309024		\$1 188	\$1 295	\$1 279	\$2 199	-	-	-	OC309024
		OC309624		\$1 256	\$1 374	\$1 351	\$2 381	-	-	-	OC309624
		Prices are without HANDLES									
15		OVEN COLUMNS									
		DOC308424		\$878	\$930	\$948	\$1 348	-	-	-	DOC308424
		DOC309024		\$946	\$1 009	\$1 030	\$1 529	-	-	-	DOC309024
		DOC309624		\$979	\$1 054	\$1 079	\$1 677	-	-	-	DOC309624
		Prices are without HANDLES									
16		DOUBLE OVEN COLUMNS									

All prices are without HANDLES and PLINTH

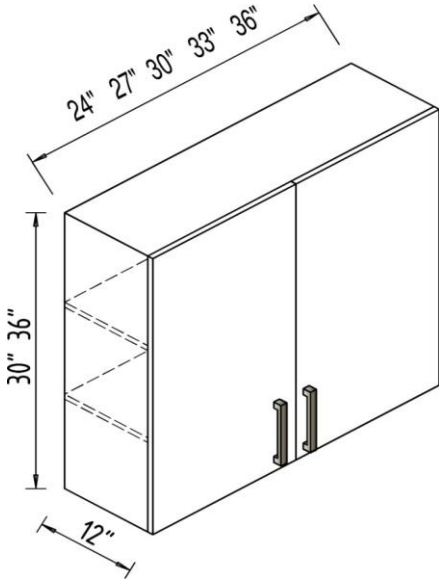
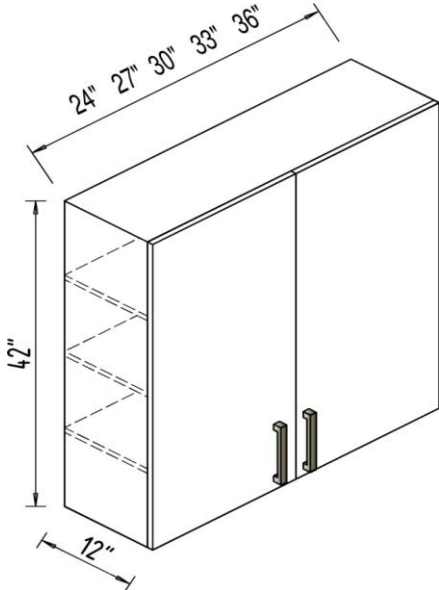
WALL CABINETS		PRICE								CODE	
		CODES	Opening	C	D	E	F	RA	RAC	RHC	
	17	W1212	L/R	\$132	\$142	\$145	\$215	\$235	\$258	\$268	W1212
		W1215	L/R	\$141	\$154	\$158	\$247	\$251	\$279	\$290	W1215
			Prices are without HANDLES								
		W1218	L/R	\$155	\$170	\$175	\$284	\$272	\$305	\$317	W1218
		W1224	L/R	\$172	\$192	\$199	\$352	\$302	\$348	\$362	W1224
			Prices are without HANDLES								
		W0630	L/R	\$162	\$175	\$180	\$268	\$283	\$311	\$328	W0630
		W0930	L/R	\$179	\$197	\$204	\$342	\$310	\$352	\$368	W0930
		W1230	L/R	\$195	\$219	\$227	\$415	\$337	\$392	\$408	W1230
		W1530	L/R	\$203	\$233	\$243	\$480	\$356	\$425	\$440	W1530
		W1830	L/R	\$227	\$262	\$275	\$561	\$390	\$473	\$488	W1830
		W2130	L/R	\$244	\$284	\$298	\$633	\$416	\$514	\$528	W2130
		W0636	L/R	\$175	\$191	\$195	\$304	\$305	\$339	\$358	W0636
		W0936	L/R	\$193	\$215	\$223	\$391	\$335	\$385	\$404	W0936
		W1236	L/R	\$211	\$240	\$249	\$476	\$365	\$432	\$449	W1236
		W1536	L/R	\$220	\$255	\$268	\$553	\$386	\$469	\$486	W1536
		W1836	L/R	\$247	\$288	\$303	\$648	\$424	\$524	\$540	W1836
		W2136	L/R	\$264	\$313	\$330	\$733	\$454	\$570	\$585	W2136
			Prices are without HANDLES								
19	SINGLE DOOR WALL CABINET - 2 SHELVES										

All prices are without HANDLES


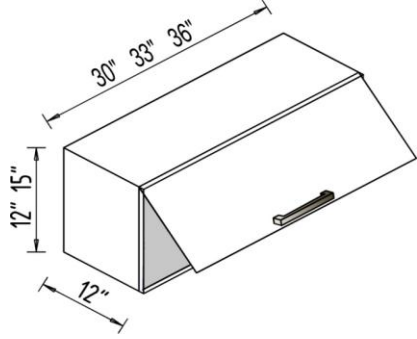
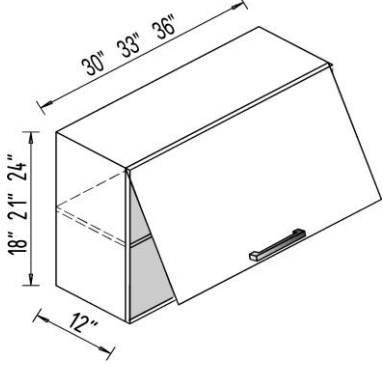
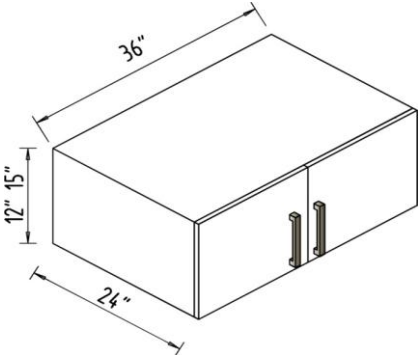
WALL CABINETS	PRICE									CODE
	CODES	Opening	C	D	E	F	RA	RAC	RHC	
	W0642	L/R	\$208	\$226	\$232	\$358	\$359	\$397	\$419	W0642
	W0942	L/R	\$230	\$255	\$263	\$458	\$393	\$451	\$471	W0942
	W1242	L/R	\$251	\$284	\$295	\$557	\$427	\$504	\$523	W1242
	W1542	L/R	\$261	\$301	\$315	\$645	\$450	\$546	\$564	W1542
	W1842	L/R	\$293	\$341	\$357	\$755	\$496	\$611	\$627	W1842
	W2142	L/R	\$314	\$369	\$389	\$854	\$530	\$664	\$679	W2142
Prices are without HANDLES										
20	42" HIGH SINGLE DOOR WALL CABINETS									
All prices are without HANDLES										

WALL CABINETS		PRICE								CODE	
		CODES	Opening	C	D	E	F	RA	RAC	RHC	
	W2412		\$165	\$186	\$192	\$341	\$337	\$381	\$402	W2412	
	W3012		\$214	\$239	\$248	\$435	\$420	\$476	\$499	W3012	
	W3312		\$222	\$250	\$259	\$466	\$434	\$495	\$519	W3312	
	W3612		\$230	\$260	\$270	\$497	\$449	\$515	\$540	W3612	
	W2415		\$210	\$235	\$243	\$431	\$416	\$471	\$494	W2415	
	W3015		\$228	\$258	\$268	\$505	\$447	\$517	\$541	W3015	
	W3315		\$236	\$270	\$281	\$542	\$463	\$539	\$564	W3315	
	W3615		\$245	\$282	\$294	\$580	\$479	\$562	\$587	W3615	
Prices are without HANDLES											
21	DOUBLE DOOR WALL CABINETS	W2418		\$237	\$266	\$276	\$503	\$455	\$522	\$546	W2418
	W3018		\$259	\$295	\$307	\$593	\$492	\$576	\$601	W3018	
	W3318		\$270	\$310	\$323	\$638	\$511	\$603	\$610	W3318	
	W3618		\$281	\$324	\$339	\$684	\$530	\$630	\$656	W3618	
	W2421		\$249	\$283	\$294	\$560	\$480	\$557	\$584	W2421	
	W3021		\$272	\$314	\$328	\$663	\$519	\$617	\$643	W3021	
	W3321		\$284	\$330	\$345	\$715	\$540	\$647	\$674	W3321	
	W3621		\$296	\$346	\$363	\$766	\$560	\$677	\$704	W3621	
	W2424		\$223	\$260	\$273	\$579	\$388	\$477	\$491	W2424	
	W3024		\$285	\$333	\$349	\$734	\$547	\$658	\$686	W3024	
	W3324		\$298	\$350	\$368	\$792	\$569	\$691	\$719	W3324	
	W3624		\$311	\$368	\$387	\$850	\$591	\$724	\$752	W3624	
	Prices are without HANDLES										
22	DOUBLE DOOR WALL CABINETS - 1 SHELF										


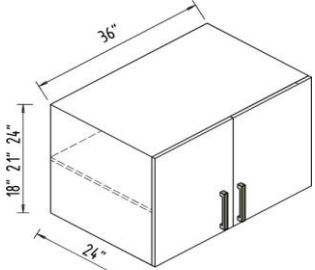
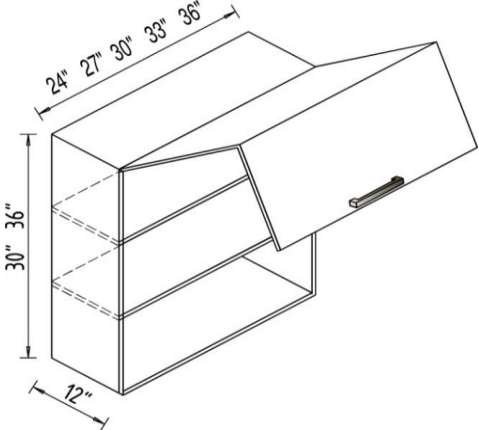
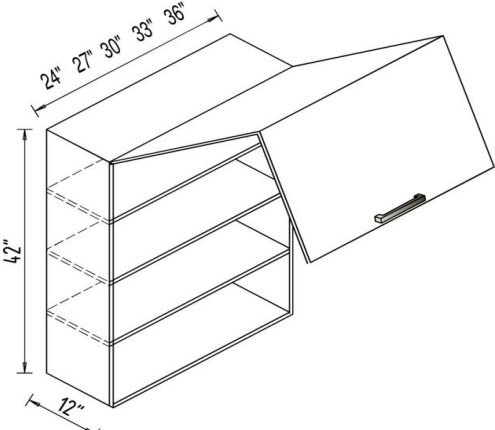
All prices are without HANDLES

WALL CABINETS		PRICE								CODE
		CODES	Opening	C	D	E	F	RA	RAC	RHC
	W2430		\$297	\$345	\$362	\$746	\$566	\$677	\$709	W2430
	W2730		\$313	\$367	\$385	\$819	\$593	\$718	\$749	W2730
	W3030		\$322	\$381	\$401	\$884	\$611	\$750	\$781	W3030
	W3330		\$346	\$410	\$433	\$965	\$646	\$799	\$829	W3330
	W3630		\$362	\$432	\$456	\$1 037	\$672	\$839	\$868	W3630
	W2436		\$320	\$378	\$397	\$860	\$614	\$747	\$782	W2436
	W2736		\$338	\$402	\$424	\$946	\$644	\$794	\$828	W2736
	W3036		\$347	\$418	\$442	\$1 023	\$665	\$831	\$864	W3036
	W3336		\$374	\$451	\$478	\$1 117	\$703	\$886	\$918	W3336
	W3636		\$392	\$475	\$504	\$1 203	\$733	\$932	\$964	W3636
		Prices are without HANDLES								
23	DOUBLE DOOR WALL CABINETS - 2 SHELVES									
	W2442		\$390	\$456	\$479	\$1 013	\$729	\$882	\$920	W2442
	W2742		\$411	\$485	\$510	\$1 112	\$763	\$936	\$972	W2742
	W3042		\$421	\$502	\$530	\$1 200	\$786	\$978	\$1 013	W3042
	W3342		\$454	\$542	\$572	\$1 310	\$831	\$1 042	\$1 076	W3342
	W3642		\$475	\$570	\$604	\$1 409	\$865	\$1 095	\$1 128	W3642
		Prices are without HANDLES								
24	42" HIGH DOUBLE DOOR WALL CABINETS									

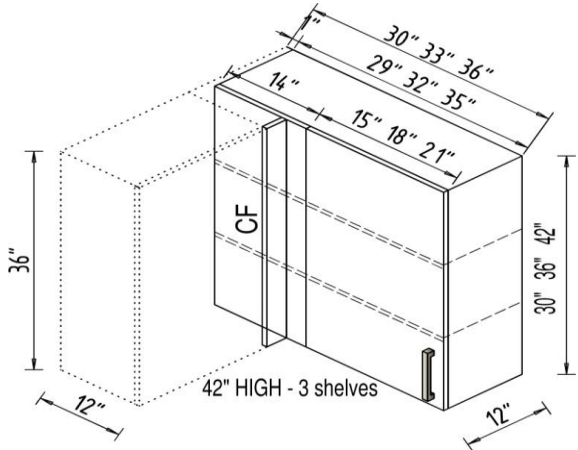
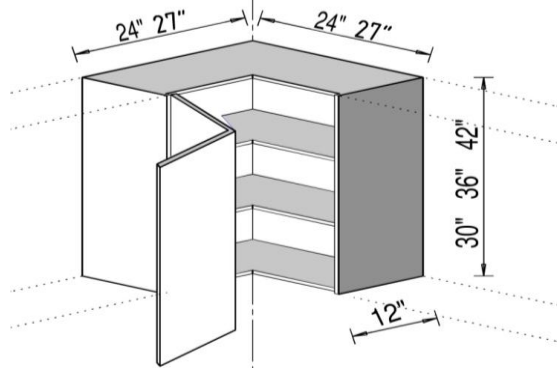
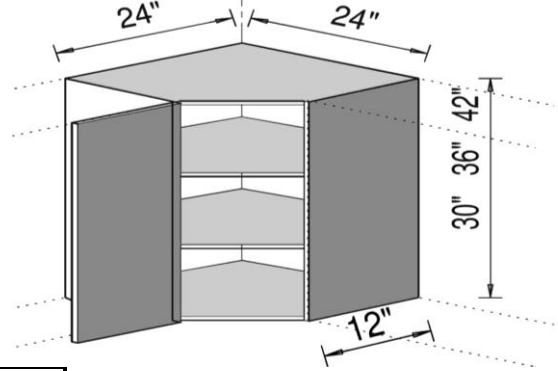
All prices are without HANDLES

WALL CABINETS	PRICE									CODE
	CODES	Opening	C	D	E	F	RA	RAC	RHC	
	WH3012		\$260	\$284	\$292	\$480	\$454	\$510	\$525	WH3012
	WH3312		\$268	\$294	\$303	\$510	\$468	\$529	\$546	WH3312
	WH3612		\$276	\$304	\$314	\$541	\$482	\$549	\$567	WH3612
	WH3015		\$272	\$302	\$312	\$549	\$477	\$547	\$562	WH3015
	WH3315		\$281	\$314	\$325	\$586	\$493	\$569	\$585	WH3315
	WH3615		\$290	\$325	\$337	\$623	\$509	\$592	\$608	WH3615
	Prices are without HANDLES									
25	WALL CABINETS - 1 horizontal door									
	WH3018		\$303	\$338	\$350	\$636	\$519	\$602	\$617	WH3018
	WH3318		\$314	\$353	\$366	\$682	\$537	\$629	\$644	WH3318
	WH3618		\$326	\$367	\$382	\$727	\$556	\$656	\$672	WH3618
	WH3021		\$316	\$356	\$371	\$706	\$542	\$639	\$653	WH3021
	WH3321		\$328	\$372	\$388	\$757	\$562	\$669	\$684	WH3321
	WH3621		\$340	\$388	\$405	\$809	\$583	\$699	\$714	WH3621
	WH3024		\$329	\$375	\$391	\$776	\$565	\$677	\$690	WH3024
	WH3324		\$342	\$392	\$410	\$834	\$587	\$710	\$723	WH3324
	WH3624		\$355	\$410	\$429	\$892	\$609	\$743	\$756	WH3624
Prices are without HANDLES										
26	WALL CABINETS - 1 horizontal door & 1 shelf									
	W361224		\$287	\$317	\$327	\$554	\$506	\$572	\$597	W361224
	W361524		\$343	\$380	\$392	\$678	\$577	\$660	\$686	W361524
	Prices are without HANDLES									
27	WALL CABINETS OVER FRIDGE									



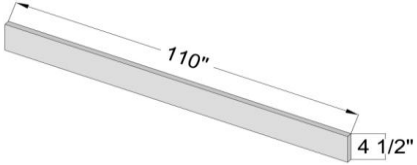
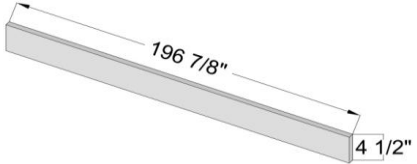
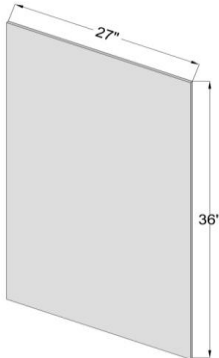
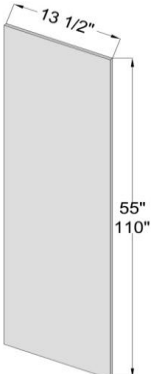
All prices are without HANDLES



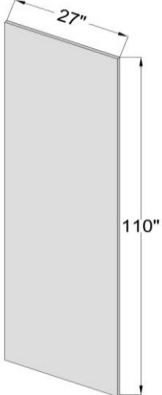
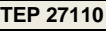
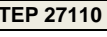
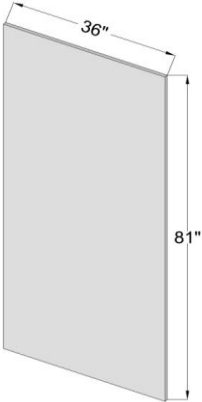
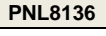
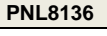
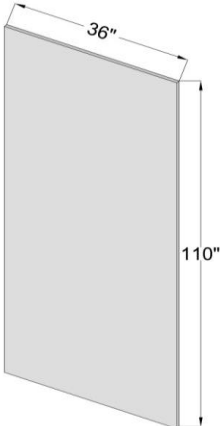
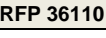
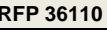
WALL CABINETS	PRICE									CODE
	CODES	Opening	C	D	E	F	RA	RAC	RHC	
 <p>28 HIGH WALL CABINETS OVER FRIDGE</p>	W361824		\$361	\$404	\$419	\$764	\$610	\$710	\$736	W361824
	W362124		\$379	\$429	\$446	\$850	\$644	\$760	\$787	W362124
	W362424		\$398	\$454	\$474	\$937	\$677	\$811	\$839	W362424
	Prices are without HANDLES									
 <p>29 WALL CABINET 2 Horizontal doors</p>	WHF2430		\$223	\$262	\$275	\$581	\$423	\$512	\$540	WHF2430
	WHF2730		\$239	\$282	\$297	\$642	\$451	\$551	\$581	WHF2730
	WHF3030		\$243	\$291	\$307	\$692	\$467	\$579	\$610	WHF3030
	WHF3330		\$270	\$323	\$341	\$765	\$507	\$630	\$663	WHF3330
	WHF3630		\$286	\$344	\$363	\$826	\$536	\$669	\$704	WHF3630
	WHF2436		\$253	\$309	\$329	\$792	\$488	\$622	\$650	WHF2436
	WHF2736		\$271	\$334	\$356	\$878	\$522	\$672	\$701	WHF2736
	WHF3036		\$285	\$355	\$379	\$960	\$551	\$718	\$747	WHF3036
	WHF3336		\$307	\$384	\$411	\$1 051	\$589	\$772	\$802	WHF3336
	WHF3636		\$326	\$409	\$438	\$1 137	\$622	\$822	\$853	WHF3636
Prices are without HANDLES and MECHANISM										
 <p>30 WALL CABINET 2 Horizontal doors</p>	WHF2442		\$290	\$355	\$378	\$920	\$544	\$699	\$727	WHF2442
	WHF2742		\$311	\$384	\$410	\$1 020	\$582	\$757	\$785	WHF2742
	WHF3042		\$328	\$409	\$437	\$1 116	\$615	\$809	\$838	WHF3042
	WHF3342		\$354	\$443	\$474	\$1 222	\$658	\$872	\$901	WHF3342
	WHF3642		\$376	\$472	\$506	\$1 323	\$696	\$929	\$959	WHF3642
Prices are without HANDLES and MECHANISM										



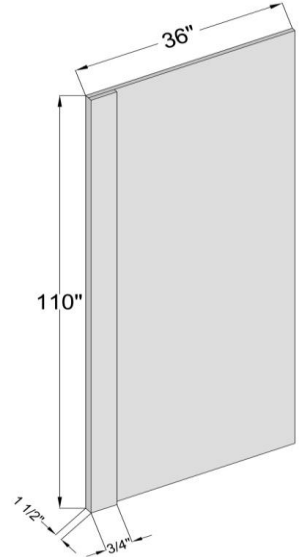
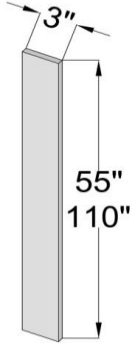
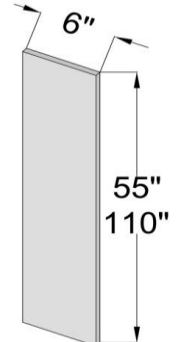
All prices are without HANDLES



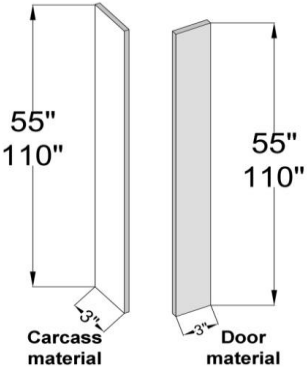

WALL BLIND CABINETS		PRICE								CODE
		CODES	Opening	C	D	E	F	RA	RAC	RHC
	WBC3030	L/R	\$324	\$382	\$401	\$868	\$610	\$745	\$775	WBC3030
	WBC3036	L/R	\$350	\$418	\$442	\$1 004	\$664	\$825	\$858	WBC3036
	WBC3042	L/R	\$427	\$506	\$533	\$1 191	\$790	\$978	\$1 014	WBC3042
	WBC3330	L/R	\$340	\$403	\$425	\$941	\$637	\$785	\$815	WBC3330
	WBC3336	L/R	\$368	\$443	\$469	\$1 089	\$693	\$871	\$903	WBC3336
	WBC3342	L/R	\$448	\$535	\$565	\$1 291	\$824	\$1 032	\$1 066	WBC3342
	WBC3630	L/R	\$357	\$425	\$448	\$1 013	\$664	\$826	\$855	WBC3630
	WBC3636	L/R	\$386	\$467	\$495	\$1 175	\$723	\$917	\$949	WBC3636
	WBC3642	L/R	\$469	\$563	\$596	\$1 391	\$858	\$1 085	\$1 119	WBC3642
	Prices are without HANDLES									
31	WALL BLIND CABINET									
	SCW2430	L/R	\$390	\$449	\$469	\$952	\$680	\$819	\$849	SCW2430
	SCW2436	L/R	\$423	\$493	\$517	\$1 098	\$741	\$907	\$940	SCW2436
	SCW2442	L/R	\$522	\$604	\$632	\$1 312	\$890	\$1 085	\$1 120	SCW2442
	SCW2730	L/R	\$407	\$466	\$487	\$969	\$698	\$837	\$867	SCW2730
	SCW2736	L/R	\$441	\$512	\$536	\$1 117	\$760	\$926	\$959	SCW2736
	SCW2742	L/R	\$546	\$628	\$656	\$1 336	\$914	\$1 109	\$1 144	SCW2742
Prices are without HANDLES										
32	SQUARE CORNER WALL CABINET									
	DWA2430	L/R	\$344	\$375	\$385	\$631	\$500	\$572	\$587	DWA2430
	DWA2436	L/R	\$372	\$408	\$421	\$717	\$541	\$628	\$644	DWA2436
	DWA2442	L/R	\$445	\$487	\$502	\$850	\$640	\$741	\$759	DWA2442
Prices are without HANDLES										
33	DIAGONAL CORNER WALL CABINET									

All prices are without HANDLES

SIDE COVERING		THICKNESS	SIZE, inch ↔ / ↕	CODE 	PRICE CATEGORIES				CODE 
					C	D	E	F	
 <p>110" 4 1/2"</p>	Decorative wooden toe kick, H= 4 1/2"	0 11/16"	110 1/4"	TK-W	\$48	\$85	\$105	\$522	TK-W
		34							
 <p>196 7/8" 4 1/2"</p>	Decorative aluminum toe kick, H= 4 1/2"	0 11/16"	196 7/8"	TK-A	\$8				TK-A
		35							
 <p>27" 36"</p>	BASE END PANEL 27" laminated hardboard plate, edge banded on one long and two short sides.	0 11/16"	36 1/2"	BEP 2736	\$53	\$107	\$136	\$748	BEP 2736
		36							
 <p>13 1/2" 55" 110"</p>	WALL END PANEL 13 1/2" laminated hardboard plate, eedge banded on one long and two short sides.	0 11/16"	55"	WEP 1355	\$45	\$88	\$112	\$606	WEP 1355
		37				\$88	\$175	\$222	\$1 209

SIDE COVERING	THICKNESS	SIZE, inch ↔ / ↕	CODE 	PRICE CATEGORIES				CODE 
				C	D	E	F	
 <p>TALL END PANEL 27" x 110" laminated hardboard plate, edge banded on one long and two short sides.</p>	0 11/16"	110 1/4"	TEP 27110 	\$153	\$315	\$403	\$2 244	TEP 27110 
<p>38</p>								
 <p>PANEL 81" x 36" side covering for base units, edge banded on one long and two short sides.</p>	0 11/16"	81"	PNL8136 	\$147	\$306	\$392	\$2 191	PNL8136 
<p>39</p>								
 <p>REFRIGERATOR PANEL 36" x 110" side covering for base units, edge banded on one long and two short sides.</p>	0 11/16"	36"x 110"	RFP 36110 	\$199	\$414	\$530	\$2 973	RFP 36110 
<p>40</p>								

FILLERS	THICKNESS	SIZE, inch ↔ / ↕	CODE 	PRICE CATEGORIES				CODE 
				C	D	E	F	
 <p>1 1/2" Double filler for tall units</p>	1 1/2"	36" x 110"	DRFP 36110	\$305	\$630	\$804	\$4 175	DRFP 36110
 <p>3" filler frame for base/wall units with H=55", 110", edge banded on one long and two short sides.</p> <p>Note: Filler matching door color.</p>	0 11/16"	3" x 55"	F355	\$15	\$24	\$30	\$139	F355
	0 11/16"	3" x 110"	F3110	\$29	\$48	\$59	\$276	F3110
 <p>6" filler frame for base/wall units with H=55", 110", edge banded on one long and two short sides.</p> <p>Note: Filler matching door color.</p> <p>Note: Filler matching door color.</p>	0 11/16"	6" x 55"	F655	\$23	\$41	\$51	\$261	F655
	0 11/16"	6" x 110"	F6110	\$44	\$82	\$102	\$521	F6110

FILLERS	THICKNESS	SIZE, inch ↔ / ↕	CODE 	PRICE CATEGORIES				CODE 
				C	D	E	F	
 <p>55" 110"</p> <p>3" Carcass material</p> <p>3" Door material</p> <p>55" 110"</p> <p>3" Corner Filler frame for base/tall units with H=55", 110"</p>	0 11/16"	3" x 55"	CF355	\$29	\$49	\$60	\$254	CF355
	0 11/16"	3" x 110"	CF3110	\$58	\$97	\$118	\$506	CF3110
<p>44</p>  <p>42"</p> <p>24"</p> <p>1 1/2"</p> <p>1 1/2" Double shelf edge banded on four sides.</p>	1 1/2"	42"/12"	DS 42" x 12"	\$59	\$115	\$146	\$723	DS 42" x 12"
<p>45</p>								