

SNOWRABBIT SR3

By Favero Lorenzo S.A.S.

***North American distribution by
GETSNO Equipment Newport Vermont***



SR-3

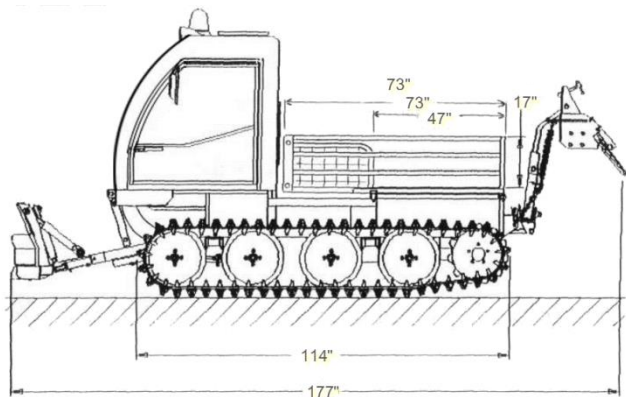
Trail Groomer

SR3 TRAIL GROOMER

SMALL LIGHT AND RELIABLE, THE SR3 TRAILGROOMER IS THE IDEAL TRACKED VEHICLE FOR SMALL SNOWMOBILE TRAIL GROOMING & CROSS COUNTRY SKI TRAIL PREPERATION

THE SR3 TRAIL GROOMER WAS DESIGNED SPECIFICALLY FOR GOOMING SNOWMOBILE AND CROSS COUNTRY TRAILS AS WELL AS FOR TRANSPORTING GOODS AND BASIC EQUIPMENT. THIS GROOMER IS VERY SUITABLE FOR SNOW CLEARING ANC ALL TYPES OF SERVICES REQUIRED IN WINTER .

THE WIDE REAR LOAD-CARRYING PLATFORM CAN BE LEFT OPEN OR FITTED WITH RESISTANT COVERING MAKING IT IDEAL FOR TRANSPORTING OR STORING GOODS



THIS SMALL GROOMER WILL PROVIDE A LONG WORKING LIFE, EXCELLENT RELIABILITY AND PERFORMANCE IN VARYING TERRAINS OR SNOW CONDITIONS .

POWER IS PROVIDED BY A RELIABLE KUBOTA ENGINE WITH HYDROSTATIC TRANSMISSION THAT COMPLIES TO NORTHAMERICAN EMISSIONS AND NOISE STANDARDS



THE SR-3 GTOOMER IS EQUIPPED WITH 2 RUBBER COGWHEELS AND 8 SMOOTH WHEELS DRIVING 2 STRONG WIDE RUBBER BELTS ON ALUMINUM CROSSBARS THAT ARE STUDDED WITH STEEL ICE CALKS. THIS DRIVE SYSTEM DELIVERS EXCELLENT STABILITY AND TRACK GRIP EVEN ON HARD GROUND.

Dimensions

Length	122"
Length(with front blade)	146"
Length (with track setters)	177"
WIDTH	77.5"
Height	85"
Weight	3530 lbs
Weight with accessories	4060 lbs
Total weight	4850 lbs
Max carrying capacity	1,500 lbs

ENGINE

KUBOTA V3800 DI-T-E3B

4 cylinders I lie turbocharged:

Bore x stroke:	100x120mm
Displacement:	3'770 cc
Max power:	100 hp a 2' 600 rpm
Max torque:	330 Nm a 1'300 rpm
Fuel consumption	1.6 us gal/hr.
Fuel tank size	16 US gal

Axial motor:	2
Capacity	45+45 cm3 /giro
Nominal pressure:	350 bar
Hydraulic engines:	HP Hydrostatic
Displacement:	750/565 cm3
Nominal pressure:	350 bar
Epicycloidal wheel gear unit	

Brake: working brake in hydrostatic system.
Negative multidisc parking bread at hydraulic control.

TRACKS

GROUND CONTACT (per track)	79"
TRACK WIDTH	28"
Qty cog wheels	2
Teeth per wheel cog wheel	14
Qty of smooth wheels	8
Diameter	20"

THE COMFORTABLE CABIN IS ACCESSIBLE THROUGH TWO DOORS ON EITHER SIDE, WHILE THE LARGE PANORAMIC WINDOW, THE REAR SLIDING WINDOW AND REAR-VIEW MIRRORS PROVIDE EXCELLENT VISIBILITY IN ALL DIRECTIONS

THE NEW AIR CONDITIONING SYSTEM, THE JOYSTICK AND THE INSTRUMENT PANEL CREATE THE PERFECT ENVIRONMENT FOR LONG SHIFTS.

SR3 GROOMER PROVIDES EQUIPMENT SOLUTIONS PERFECTLY ADAPTED TO YOUR NEEDS

-FRONT BLADE: DRIVEN BY AN ELECTRIC JOY-STICK FEATURES A USER FRIENDLY SNOW CLEARING SYSTEM. IT IS A STANDARD ELEMENT, USEFUL IN SNOWMOBILE TRAIL, SKI TRAIL PREPARATION AND INDISPENSABLE FOR SNOW CLEARING.

-REAR TILLER: OPERATED BY A HYDRAULIC SYSTEM IT FEATURES A POLYURETHANE GROOMER WHICH LEAVES THE SNOW PERFECTLY SMOOTH. THE GROOMER CAN BE REMOVED IN SECONDS, THANKS TO THE QUICK RELEASE SYSTEM.

-COMPACTOR AND CROSS COUNTRY TRACK SETTERS: THEY ARE CONNECTED TO THE GROOMER AND FEATURE HYDRAULIC LIFTING MOVEMENT AND PLASTIC PLOUGH PARTS. THE PRESSURE ON THE GROUND IS MECHANICALLY REGULATED, AND SR-3 GROOMER CAN BE EQUIPPED WITH 2 INDEPENDANT TRACK SETTERS

REAR SNOW BLADE: SMOOTHS THE GROUND WHEN THERE IS NO NEED TO USE A TRAIL DRAG, THANKS TO ITS POLYURETAD FINISHER.

HYDRAULIC LIFTING MOVEMENT AND PRESSURE ON THE GROUND ARE REGULATED MECHANICALLY



Accessories

Front blade:

6 different hydraulic positions

2 different manual positions

Working width

6'7"

REAR TILLER

Rotation speed

Max 2000 rpm

Working width

6'7"

CROSS COUNTRY TRACK SETTER

WORKS WITH HYDRAULICS, 1 OR

2 TRACK SETS



CUSTOM EQUIPMENT FOR HIGGH FLEXIBILITY

YOU CAN CHOOSE BETWEEN THE MODEL WITH OPEN-BACK LOADING OR GO WITH THE OPTIONAL COVERED CABIN, FEATURING A COMFORTABLE OPENINGCOVERED



SR-3 GROOMERS

CAN BE EQUIPED WITH INDIVIDUAL FEATURES TO BEST MEET SPECIFIC CUSTOMER REQUIREMENTS



1778 Vt. route 105
Newport Vermont
USA 05855

101 Principale N.
Richmond Québec
Canada J0B 2H0

www.snowrabbitgroomers.com

NORTH AMERICAN IMPORTER



facebook.com/GetSno

www.getsno.com