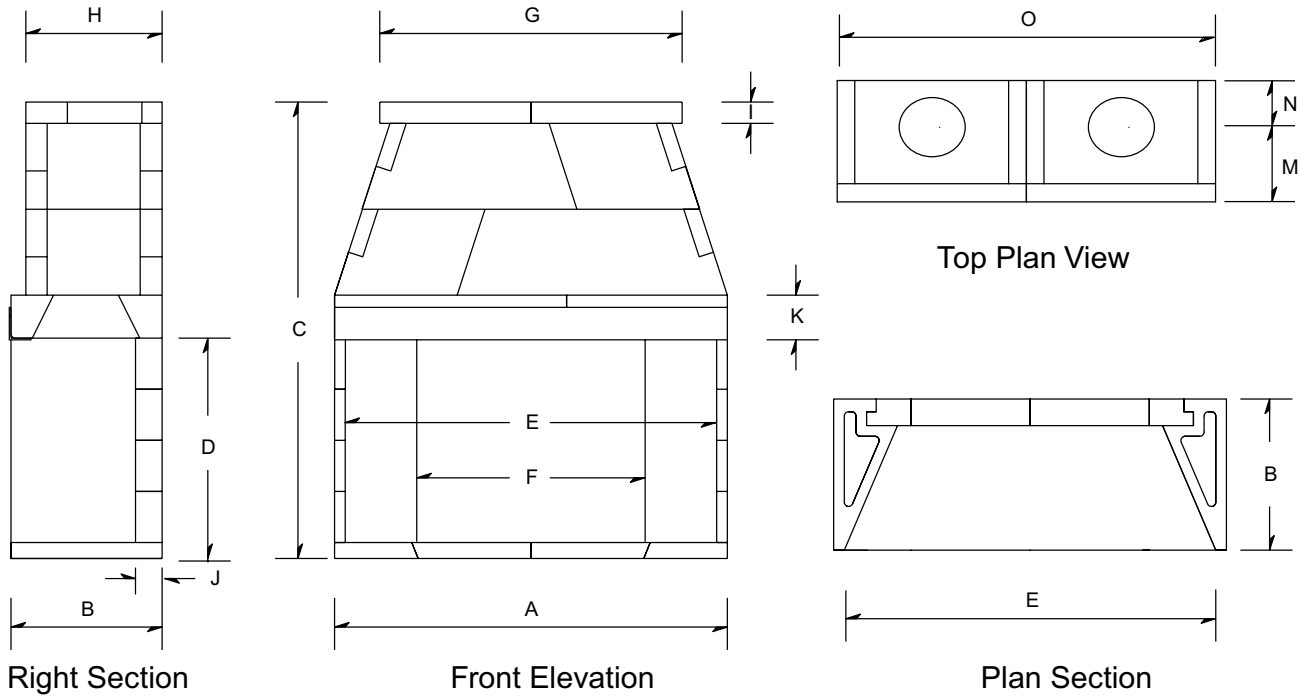


Assembled Firebox Dimensions - Models 60 & 72



| Model | A | B | C | D | E | F | G | H | I | J | K | M | N | O |
|-------|---------|-----|---------|-----|---------|---------|---------|---------|--------|----|----|---------|-----|---------|
| 60" | 73 1/2" | 28" | 85 3/4" | 41" | 69" | 57 1/4" | 55 1/2" | 25 1/4" | 4 3/4" | 5" | 8" | 14 1/4" | 11" | 55 1/2" |
| 72" | 85 1/2" | 28" | 85 3/4" | 41" | 81 1/4" | 69 3/4" | 65 1/2" | 25 1/4" | 4 3/4" | 5" | 8" | 14 1/4" | 11" | 65 1/2" |

| | |
|---------------------------------|-----------|
| Minimum Framing | Weight |
| 76 1/2" W x 87 1/2" H x 29 1/2" | 2500 lbs. |
| 88 1/2" W x 87 1/2" H x 29 1/2" | 2900 lbs. |

| | | |
|-----------|-----------------|-----------|
| Part No.: | Fireplace Size: | Quantity: |
| M77 | 60"W | 2 |
| M77 | 72"W | 2 |

