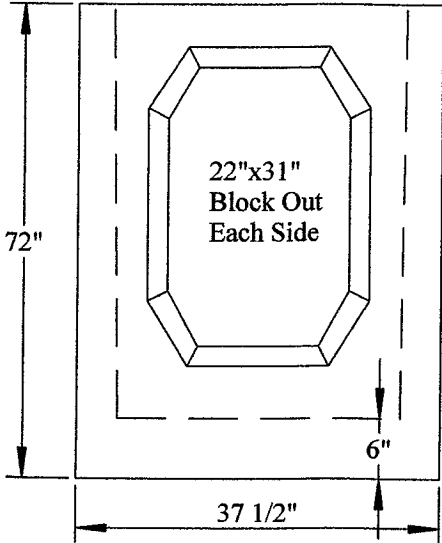
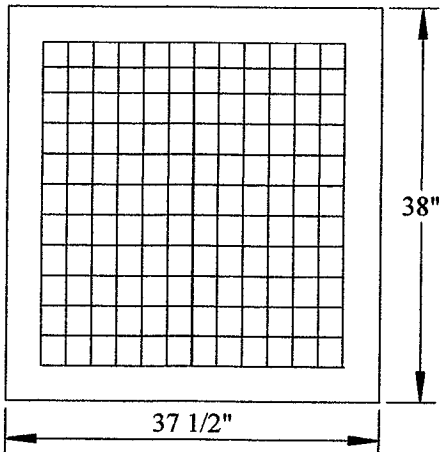


G2 Catch Basin - 6'

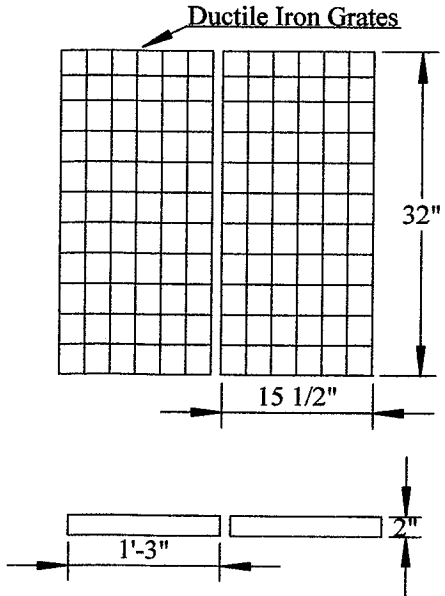
Side



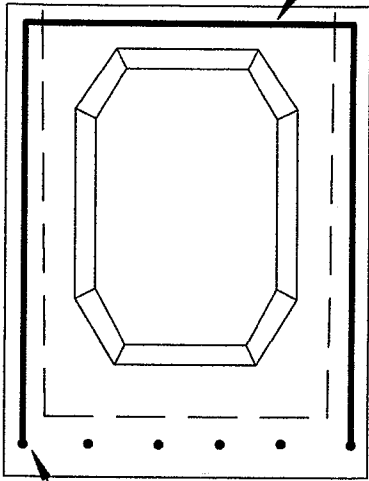
Top



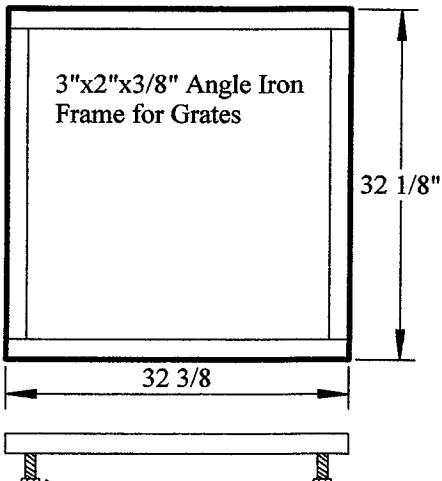
Grate Detail



#4 Rebar Hoop
& Uprights



#4 Rebar 6" O.C.
(Both Ways)



5/8"x2 3/4" Bolt Welded
to Angle (4ea.)

Rebar Placement

Frame Detail

