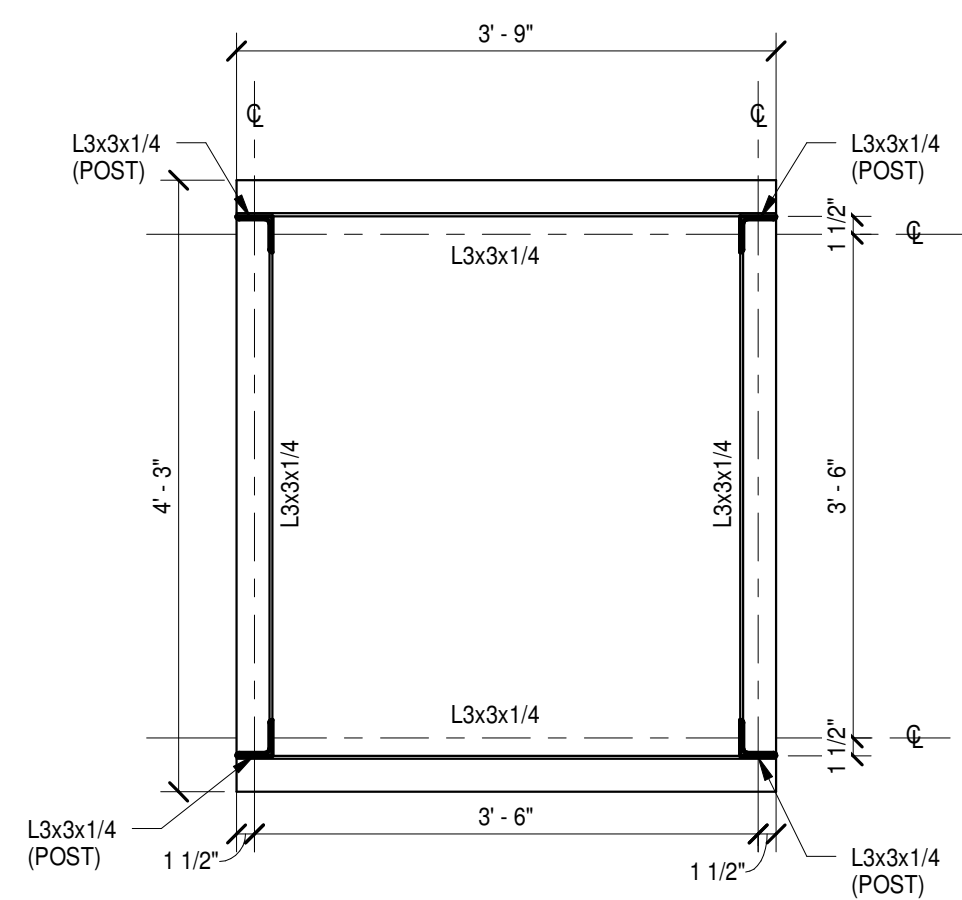
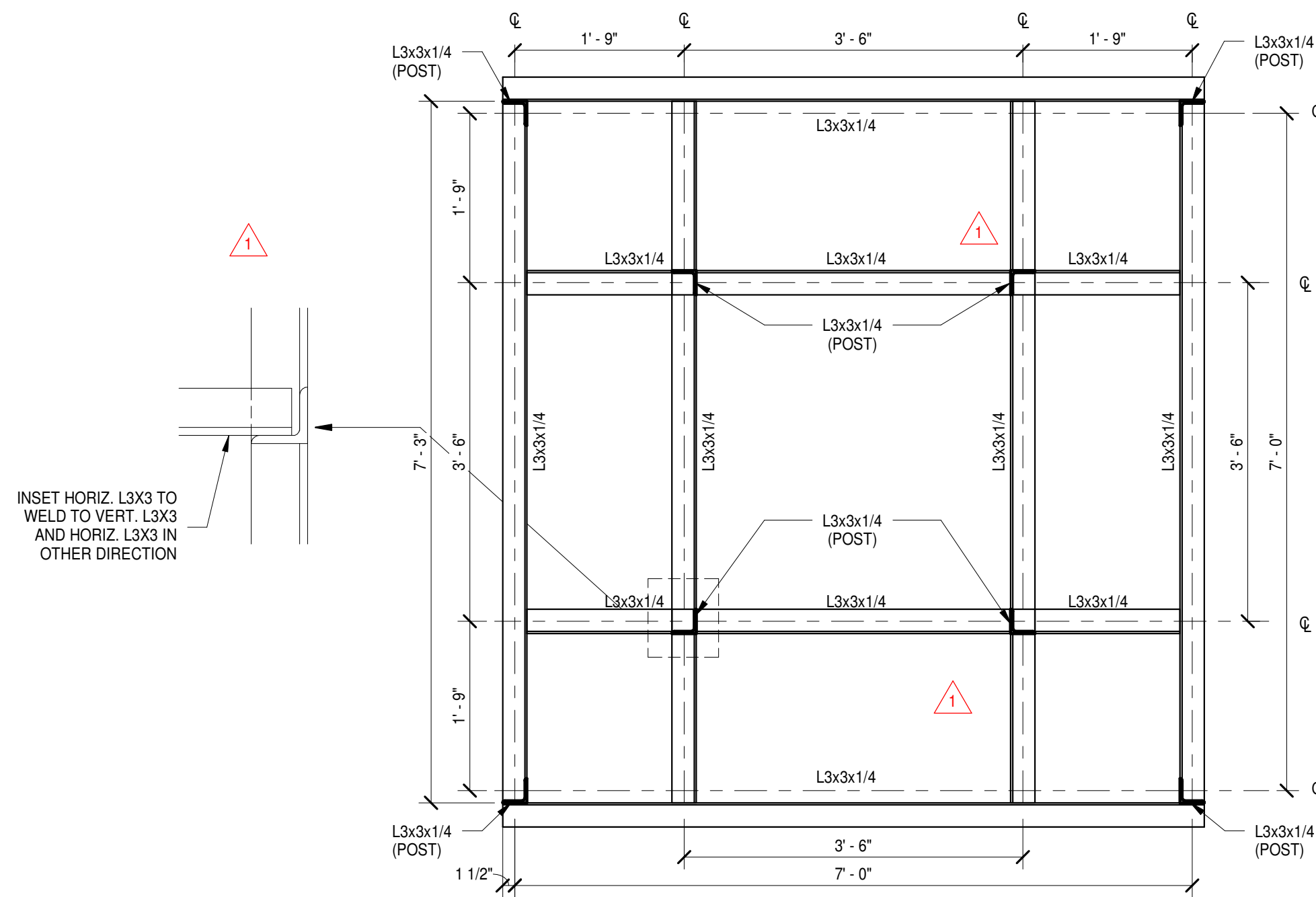


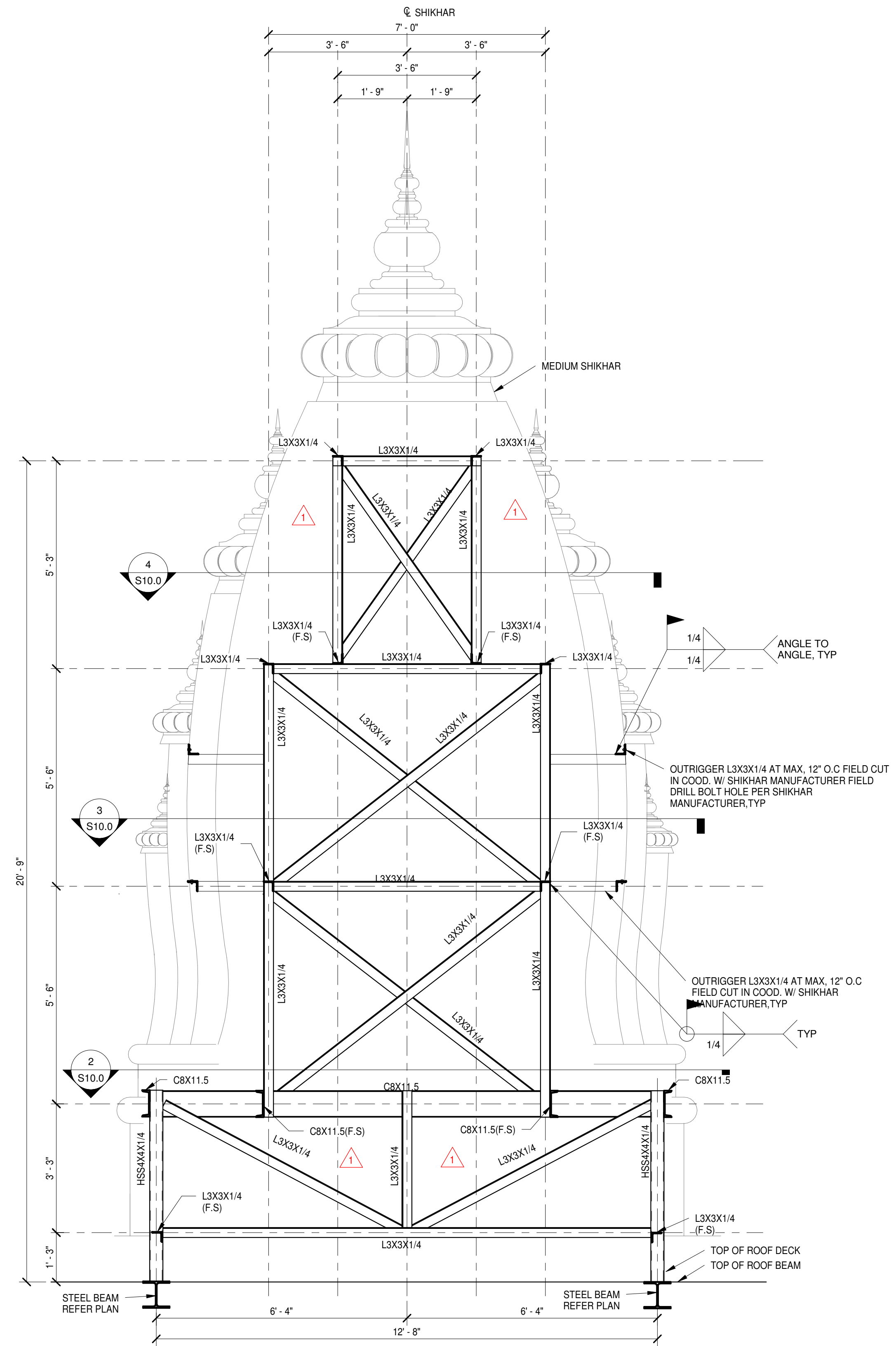
2 MEDIUM SHIKHAR FRAMING PLAN - 1
S10.0 3/4" = 1'-0"



4 MEDIUM SHIKHAR FRAMING PLAN - 3
S10.0 3/4" = 1'-0"



3 MEDIUM SHIKHAR FRAMING PLAN - 2
S10.0 3/4" = 1'-0"



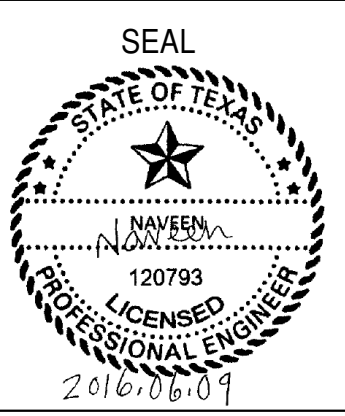
1 MEDIUM SHIKHAR FRAMING ELEVATION.
S10.0 1/2" = 1'-0"



RADHA KRISHNA TEMPLE
Owner
ALLEN TEXAS

JOB NUMBER
16DLS003
ISSUE DATE
04-22-2016
DRAWN BY
SDB
DESIGNED BY
NAV

REVISIONS	
ADDENDUM NO. 1	05-11-2016
ADDENDUM NO. 4	09-15-2016



SHEET NUMBER
S10.0

MEDIUM SHIKHAR STEEL FRAMING PLANS & ELEVATION