

Radio Interface Cable

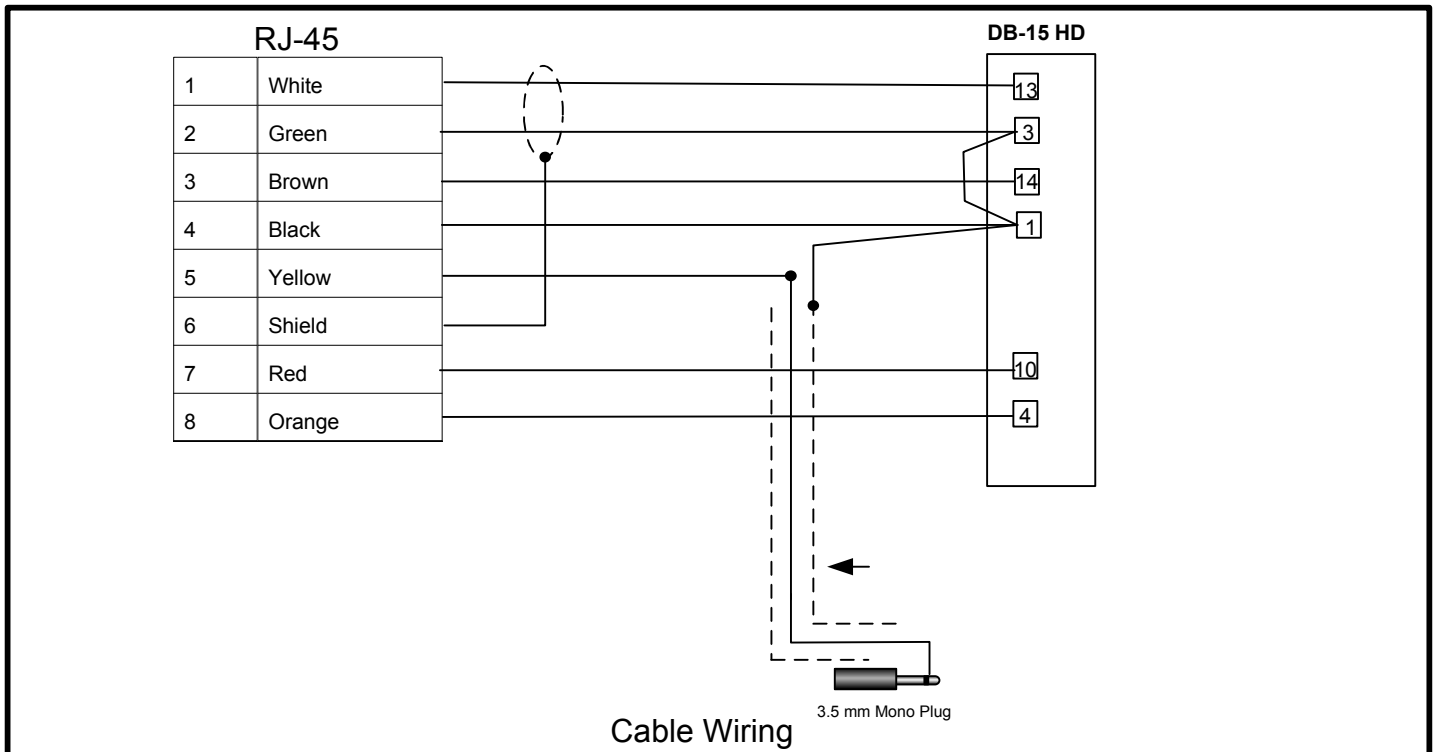
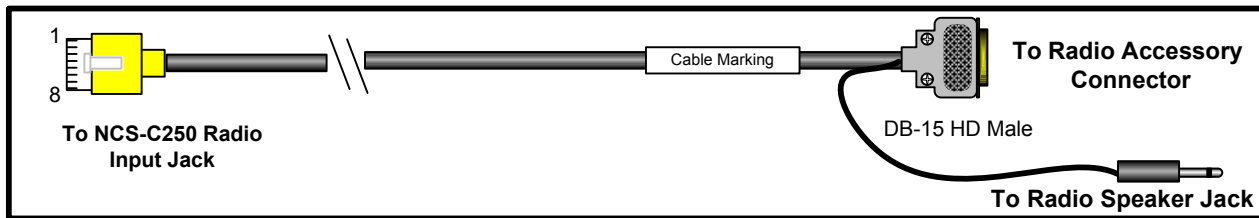
For NCS-C250 Mobile Multi-Switcher

NCS Model Number

NCS-250-IKA-XX

Compatible Radios:

All ICOM Radios Equipped with Optional OPC-1939 Accessory Cable



Notes:

1. To enable external analog audio input, remove Solder Bead F and install Solder Bead D on main radio PC Board
2. Pin 4 of the DB-15 (Ext I/O 4) must be programmed for COR using the radio programming software
3. Pin 19 of the DB-15 (Ext I/O 14) must be programmed for External PTT (EPTT) using the radio programming software. Set function in the Ext I/O option screen – High: PTT OFF; Low: PTT ON.
4. Pin 10 of the DB-15 (Ext I/O 10) must be programmed for Hook Switch using the radio Programming software.