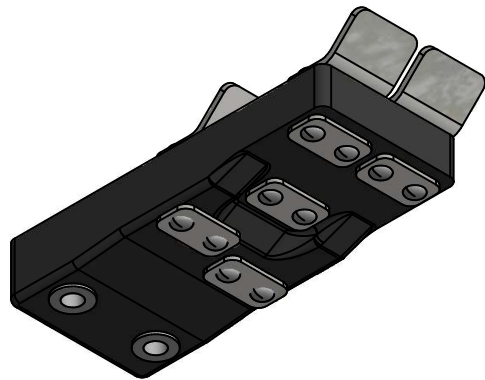
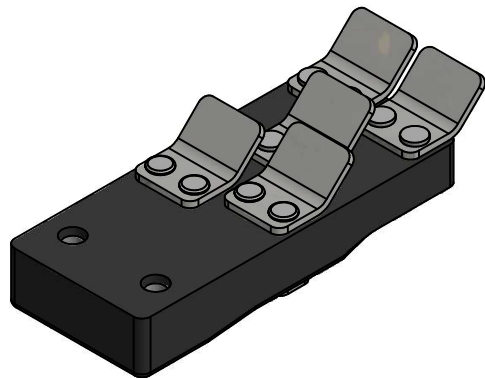


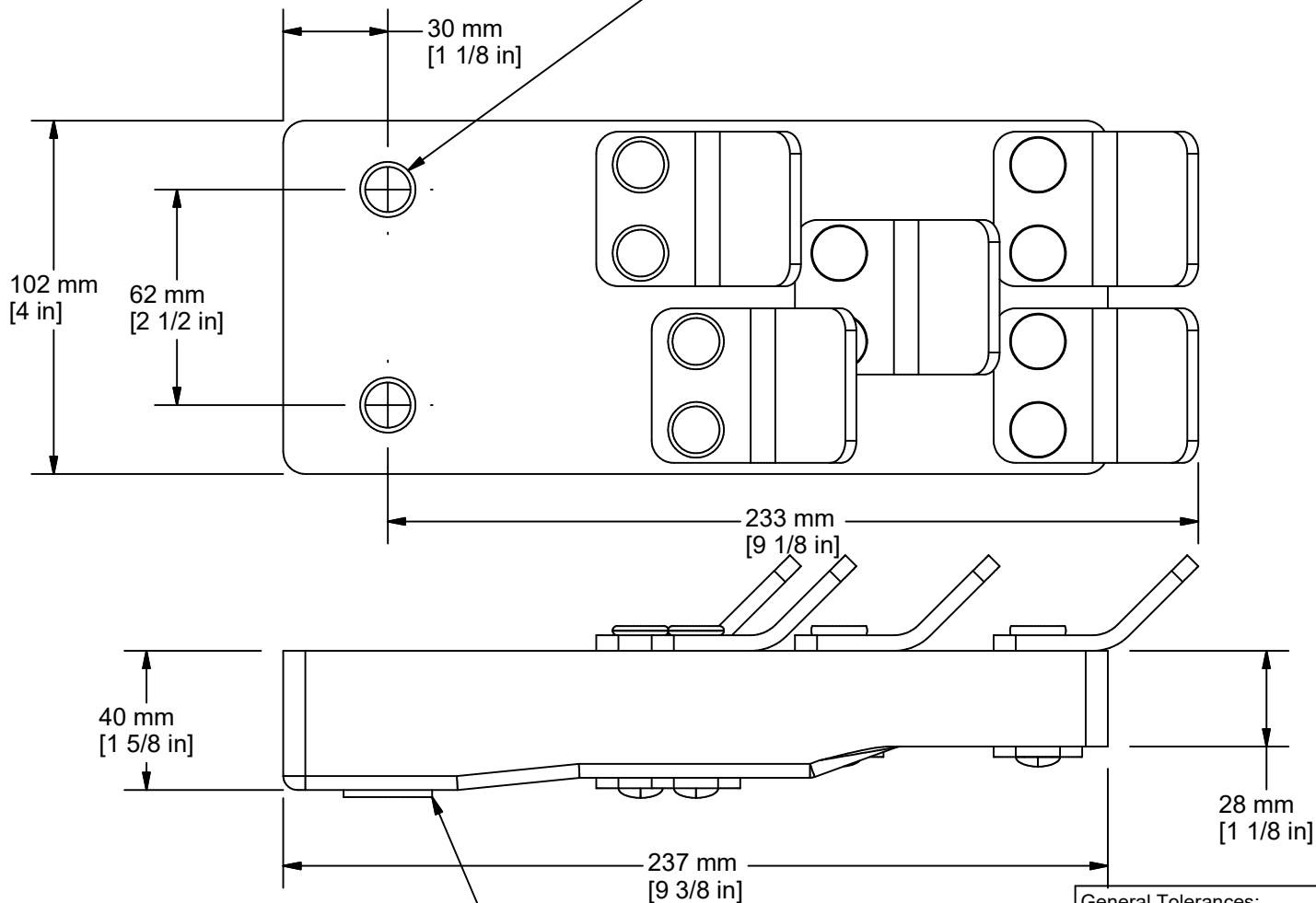
2

1

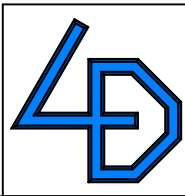


Steel Shoulder Bushing

Shoulder Bushing for 1/2", 9/16" or 5/8" Bolts  
Available with no bushing for any bolt size.



General Tolerances:  
 x.x +/- 1/32  
 x.xx +/- 0.010  
 x.xxx +/- 0.005  
 x.xxxx +/- 0.0005



**LORNIC DESIGN INCORPORATED**

12613 JAMES STREET, SUITE 10  
HOLLAND, MICHIGAN 49424  
PHONE: 616-594-0355 FAX 616-582-5908

THIS DRAWING INCLUDING ALL DESIGNS AND INFORMATION CONTAINED OR IMPLIED IS CONFIDENTIAL AND THE PROPERTY OF LORNIC DESIGN INCORPORATED. IT MAY NOT BE USED OR REPRODUCED IN ANY MANNER WITHOUT THE WRITTEN PERMISSION OF LORNIC DESIGN INCORPORATED AND IT MUST BE RETURNED UPON REQUEST (c) 2004

RELEASE DATE: 11/6/2019

RELEASED BY: INRH

Lornic Design  
"695" 5-Cleat Paddle  
Generic Sales Dimensions

FILE: 695-5-Cleat Sales.idw  
SHEET: 1 of 1 695-25262.iam

SIZE: A

2

1