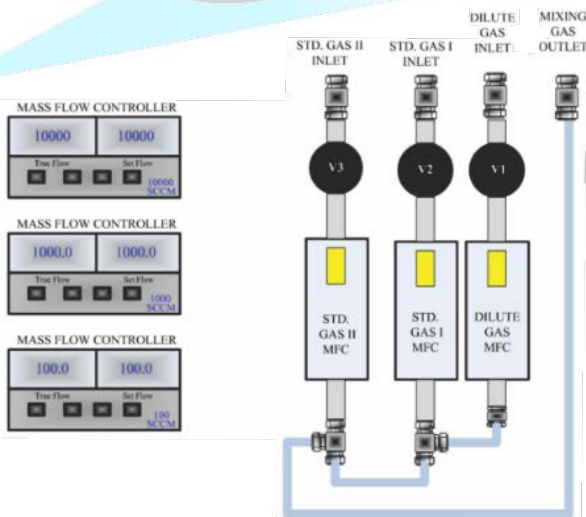


Air Dilution System Series 7000M

The STEP Analytics USA Air Dilution System Series 7000M is a MFC controlled dilution system for single and multi-compound gas mixing.

The Series 7000M is usable for STACK-GAS applications as a dilutor with an adjustable dilution factor from 1 to 200 (higher dilutions available on request,) and also as a gas standard generating system for calibration from gas cylinders.



Product SPECIFICATIONS

Part Number: ADS-25R

Measuring Principle:

Accuracy of Flow: $\pm 1.0\%$ F.S.

Measurements Repeatability: $\pm 0.2\%$ F.S.

Mechanical:

- **Balance MFC gas MFC:5 SLPM**
- **Span gas MFC 1:2000 SCCM**
- **Span gas MFC 2:100 SCCM**
***(Please specify the size of MFC when order)**

- **Inlets: External ¼" Swagelok**
- **Outlets: External ¼" Swagelok**

- **Operating pressures at inlets**
Recommended: 20 psig
Minimum: 10 psig
Maximum: 58 psig

- **Wetted Surfaces –**
Tubing: 316 Stainless Steel/Teflon
MFC's: Stainless Steel

- **Temperature Range: 5°C to +50°C (41°F to +122°F)**
- **Weight: 10 kg. (approx.) (22lbs)**
- **Electrical: 110 to 240 VAC, 50/60 Hz**