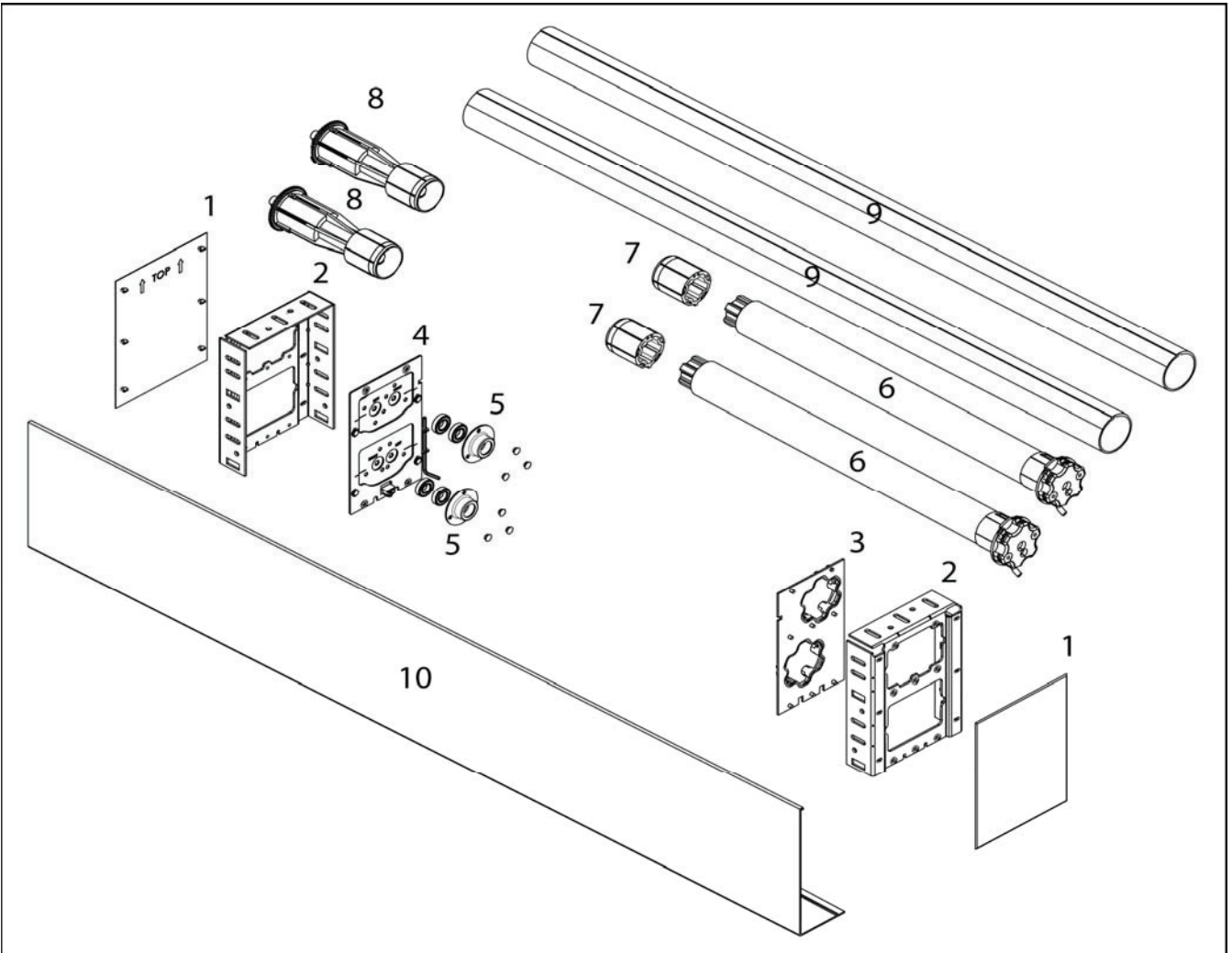




7 " FASCIA ASSEMBLY DIAGRAM (5mm lower)

LT50 MOTOR



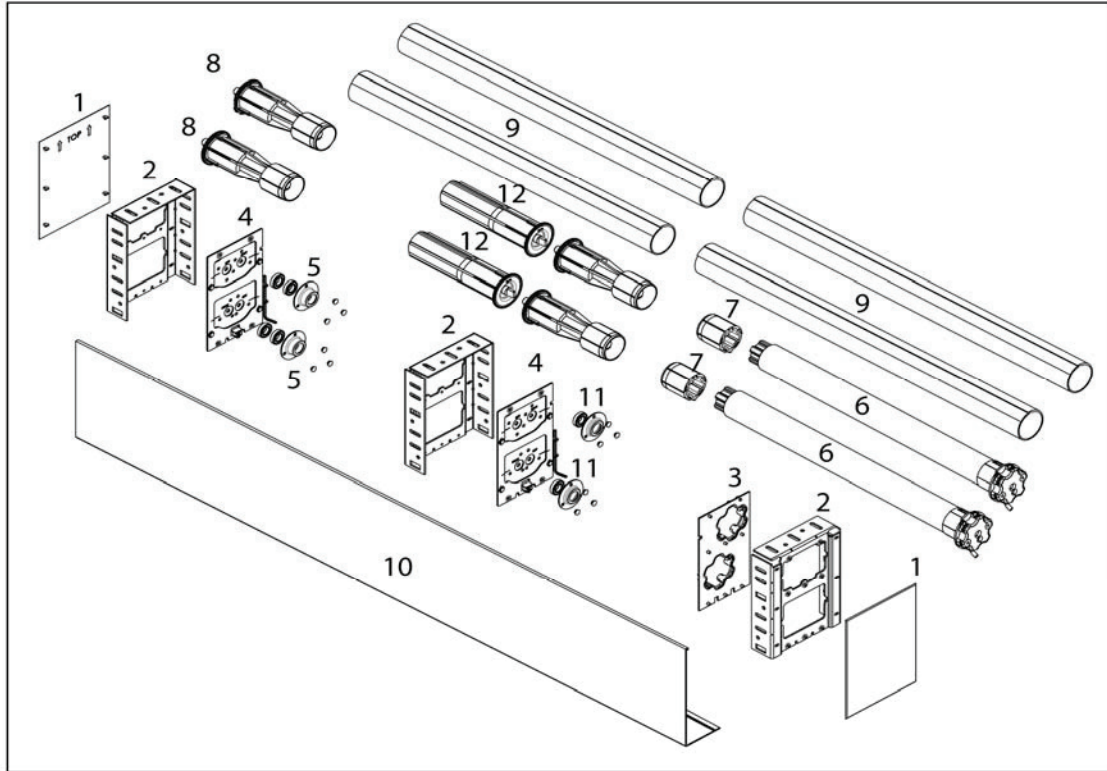
| # | DESCRIPTION | ITEM # | CATALOG PAGE |
|----|--|----------------------------|-------------------|
| 1 | 7" Square Fascia End cap | RS-WY* | A-11 |
| 2 | 7" Fascia Bracket | RS-WT* | A-11 |
| 3 | 7" Insert Plate for Star Head Motor | RS-Y99(Right)/RS-Y98(Left) | A-11a |
| 4 | 7" Adj. Universal Insert Plate (5mm lower) | RS-YB8 | A-12 |
| 5 | Idle End Bearing | RS-805(10mm)/RS-806(12mm) | A-12 |
| 6 | SOMFY LT50 Motor | | Supplied by Somfy |
| 7 | 2" Groove Tube Drive | RS-B47 | A-4a |
| 8 | Retractable Idle End | RS-801(10mm)/RS-802(12mm) | A-15 |
| 9 | 2" Groove Motor Tube | RS-013 | A-4a |
| 10 | 7" Fascia | RS-SK* | A-11 |

Note.- RS-UR(*) * = COLOR refer to the catalog page for color availability



**7 " FASCIA ASSEMBLY DIAGRAM (5 mm lower)
WITH INTERMEDIATE BRACKETS**

LT50 MOTOR



| # | DESCRIPTION | ITEM # | CATALOG PAGE |
|----|---|----------------------------|-------------------|
| 1 | 7" Square Fascia End cap | RS-WY* | A-11 |
| 2 | 7" Fascia Bracket | RS-WT* | A-11 |
| 3 | 7" Insert Plate for Star Head Motor | RS-Y99(Right)/RS-Y98(Left) | A-11a |
| 4 | 7" Adj Universal Insert Plate (5mm lower) | RS-YB8 | A-12 |
| 5 | Idle End Bearing | RS-805(10mm)/RS-806(12mm) | A-12 |
| 6 | SOMFY LT50 Motor | | Supplied by Somfy |
| 7 | 2" Groove Tube Drive | RS-B47 | A-4a |
| 8 | Retractable Idle End | RS-801(10mm)/RS-802(12mm) | A-15 |
| 9 | 2" Groove Motor Tube | RS-013 | A-4a |
| 10 | 7" Fascia | RS-SK* | A-11 |
| 11 | Intermediate Bearing | RS-807(10mm)/RS-808(12mm) | A-12 |
| 12 | Indexable Coupler | RS-673(10mm)/RS-672(12mm) | A-17 |
| | or Intermediate Retractable Idle End | RS-803(10mm)/RS-804(12mm) | A-16 |

Note.- RS-UR^(*) * = COLOR refer to the catalog page for color availability