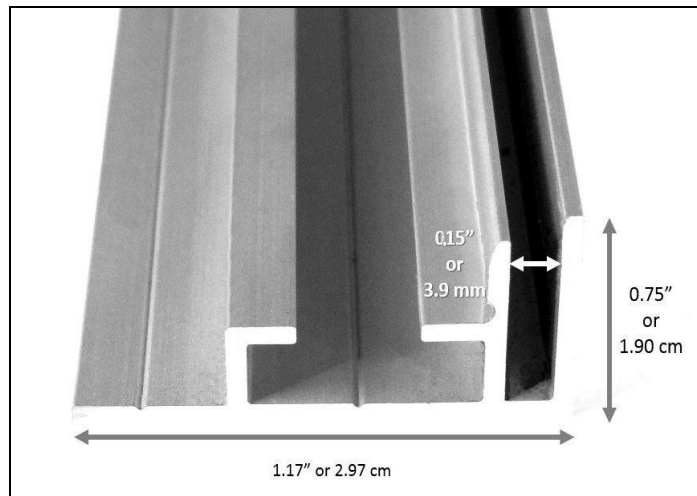
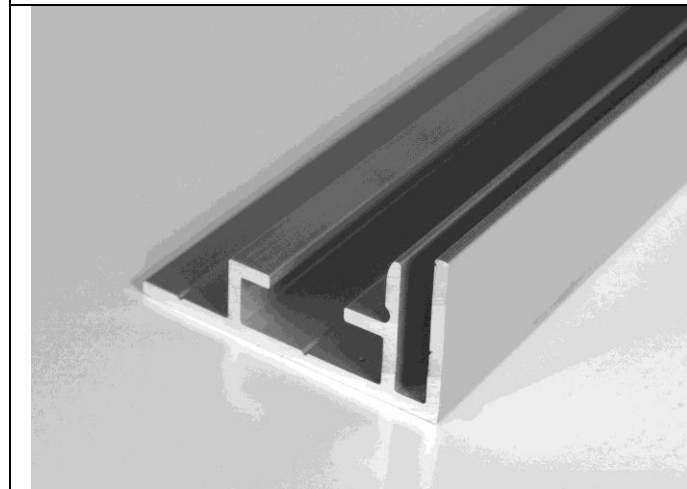


## TS29SEG - Product Data Sheet



### Extrusion Characteristics:

Length: 11' 5" or 348 cm  
 Width: 1.17" or 2.97 cm  
 Height: 0.75" or 1.90 cm  
 Weight: 0.275 lbs. / foot or 0.411 Kg / m  
 Bar Weight: 3.14 lbs. or 1.43 Kg



### Main applications

Indoor Small and Medium size high-resolution dye-sublimated fabric graphic

- Retail Stores
- Corporate Lobbies
- Board Rooms
- Hotels
- Car dealers
- Sports Arenas
- Offices
- Theaters
- Tradeshow



SEG is a high-resolution dye-sublimated fabric graphic finished with a thin stitched silicone strip.



In no time the graphic and the silicone strip are inserted in the aluminum channel and the frame is ready to be installed

## SEG - How Does It Work?

The silicone strip is sewn directly to the edge of the graphic, and the strip is then inserted into the anodized aluminum frame channel.

The graphic is easily installed and does not require special skills.

Silicone Edge Graphics can be installed into the existing frame channel by virtually anyone.

No prior install experience is needed and the process takes just a few minutes.



The SEG is presented to the frame and ready to be stretched



Frame corner showing the fabric pull-tab to easily remove and replace the graphic.



TS29SEG Frame - Top view



TS29SEG Frame - corner detail



Z-Cleat - They can be found in different length to be adjusted to the size of the SEG frame

### How to hang your SEG frames?

Two options are available:

- 1- Either by using Z-cleats
- 2- Or by screwing the TS29SEG extrusion directly to a support (walls, boards, existing structures...)

### TS29SEG - Some examples of Silicon Edge Graphics



3' x 4' SEG Frame

7/20/2017

[www.tensioningsolutions.com](http://www.tensioningsolutions.com) [info@tensols.com](mailto:info@tensols.com)



Multiple SEG Frames (Retail Store)