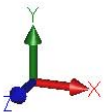
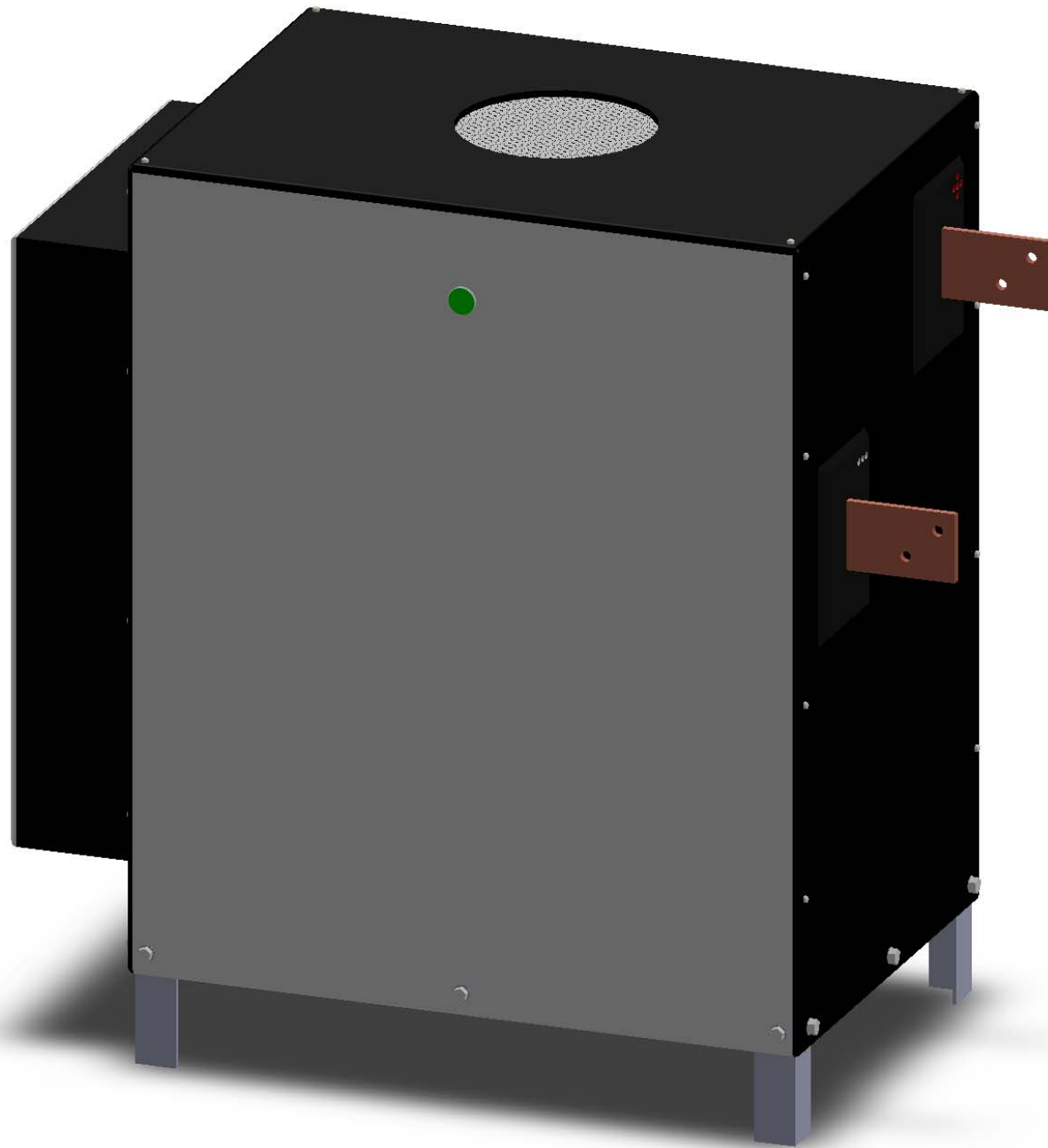
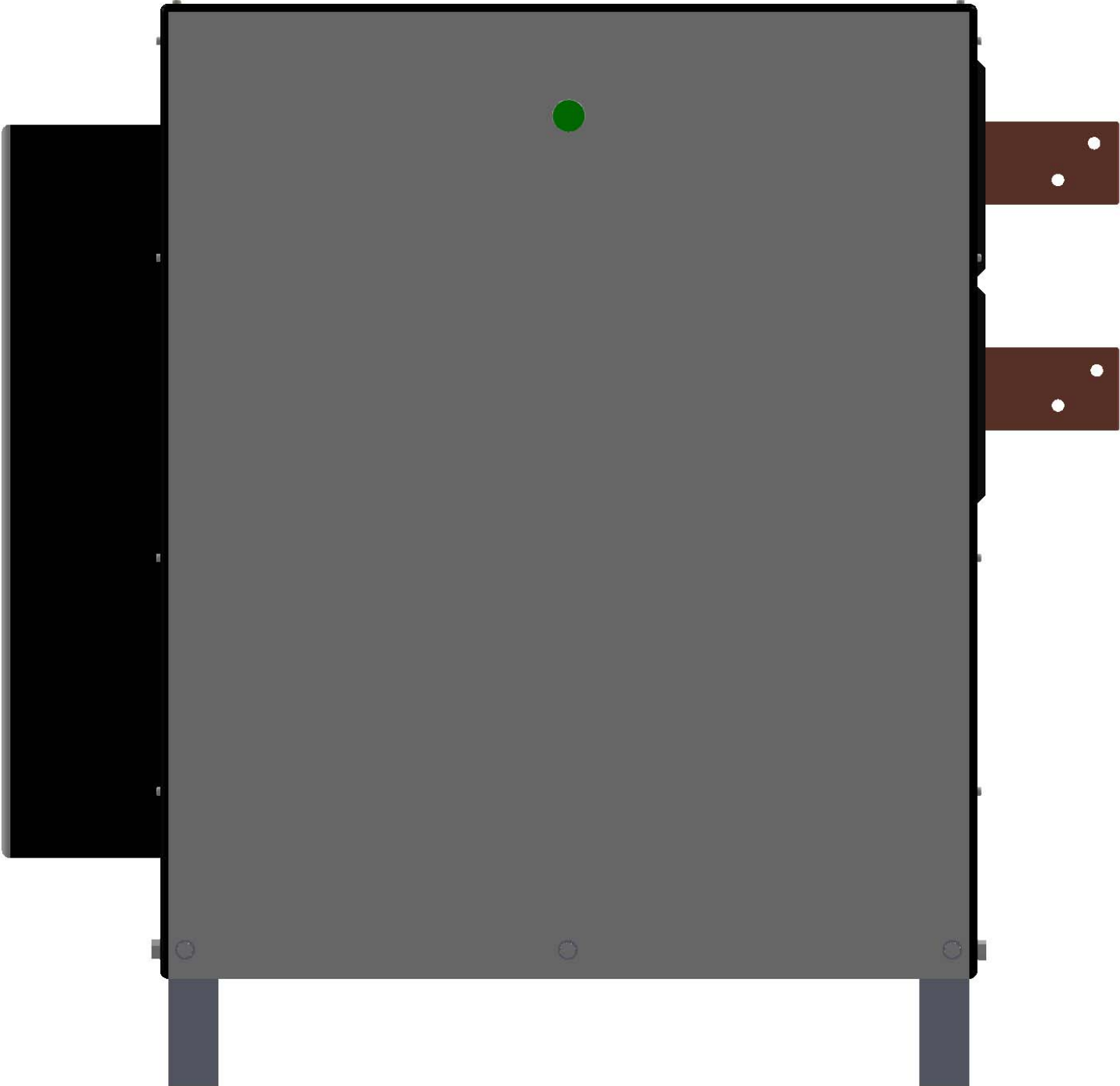


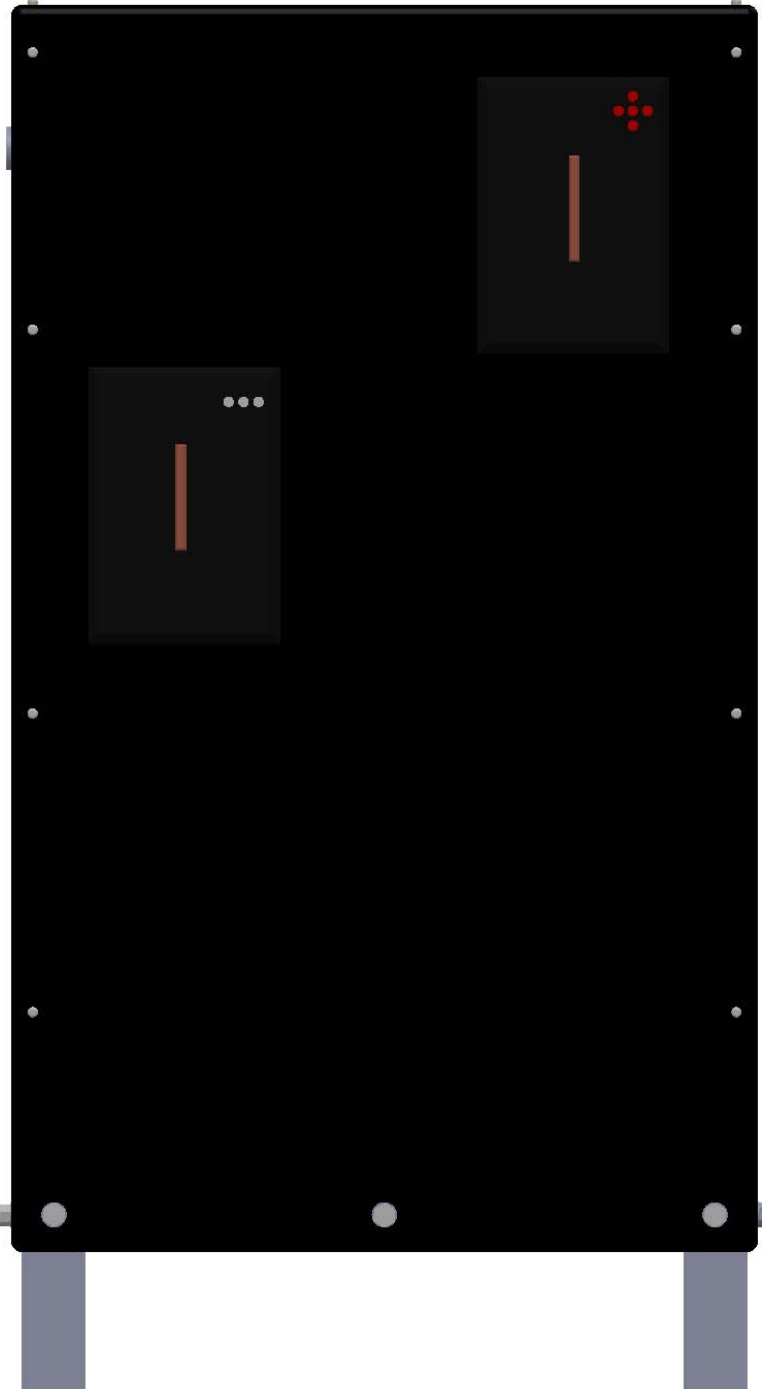
# POLY #4 AIR COOLED CABINET



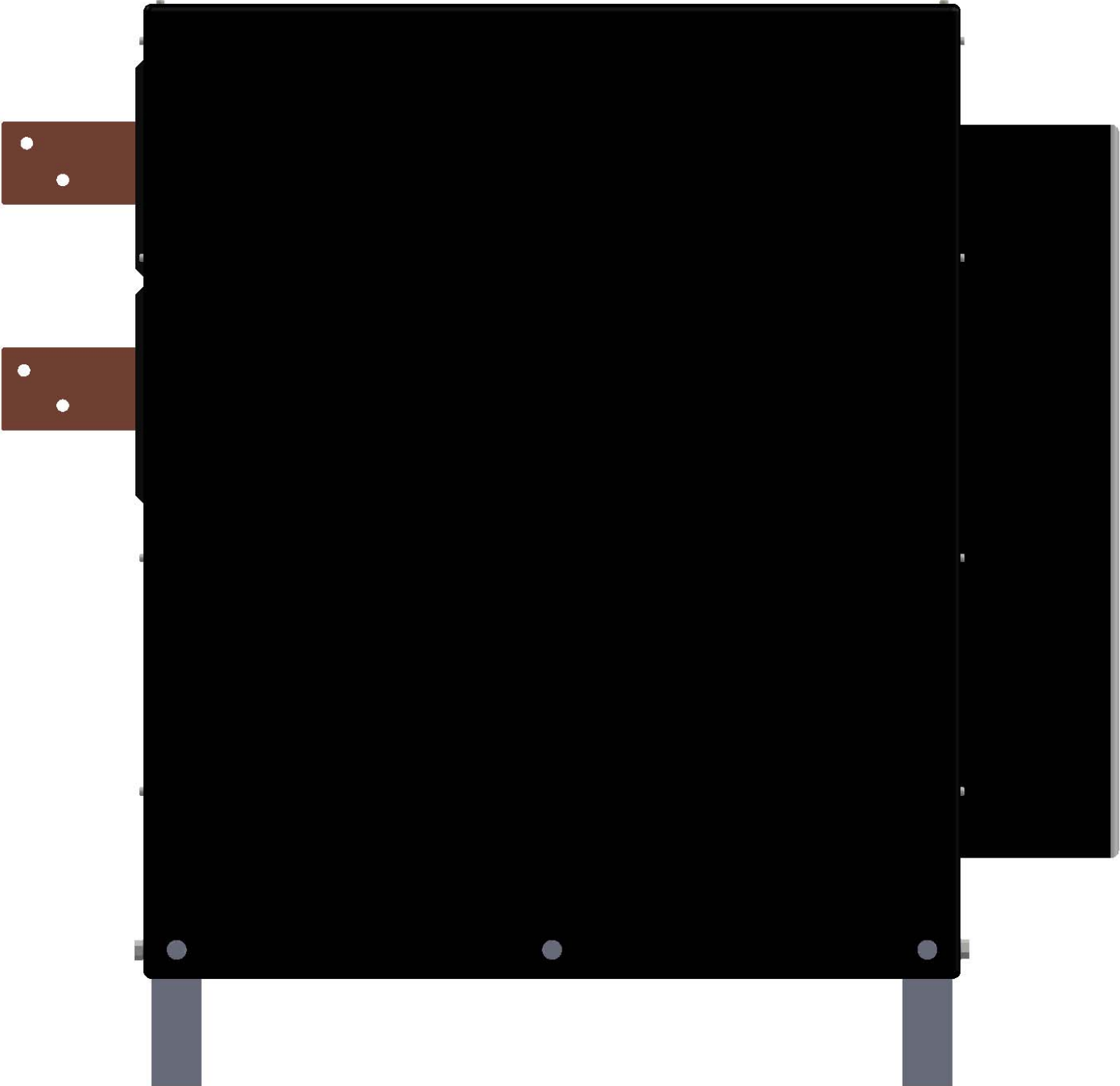
**FRONT**



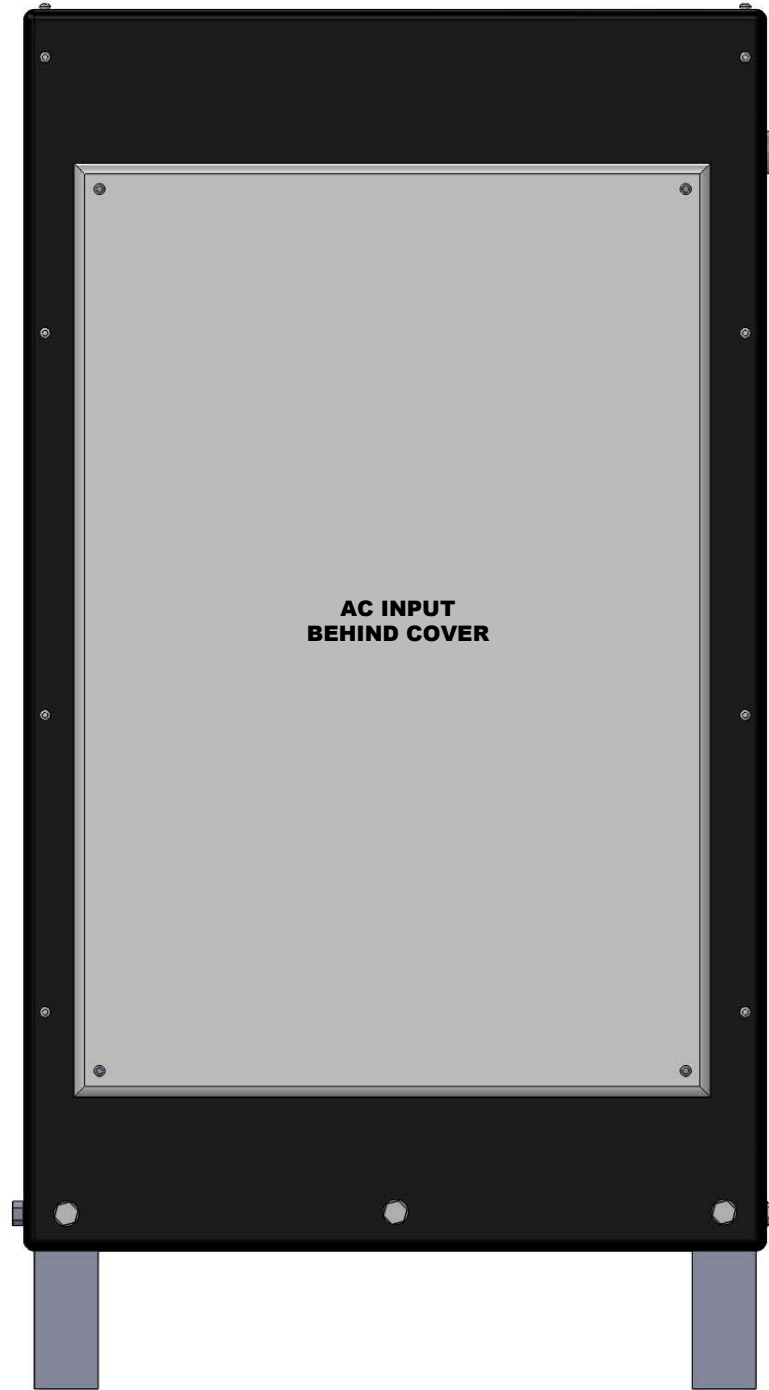
**RIGHT**

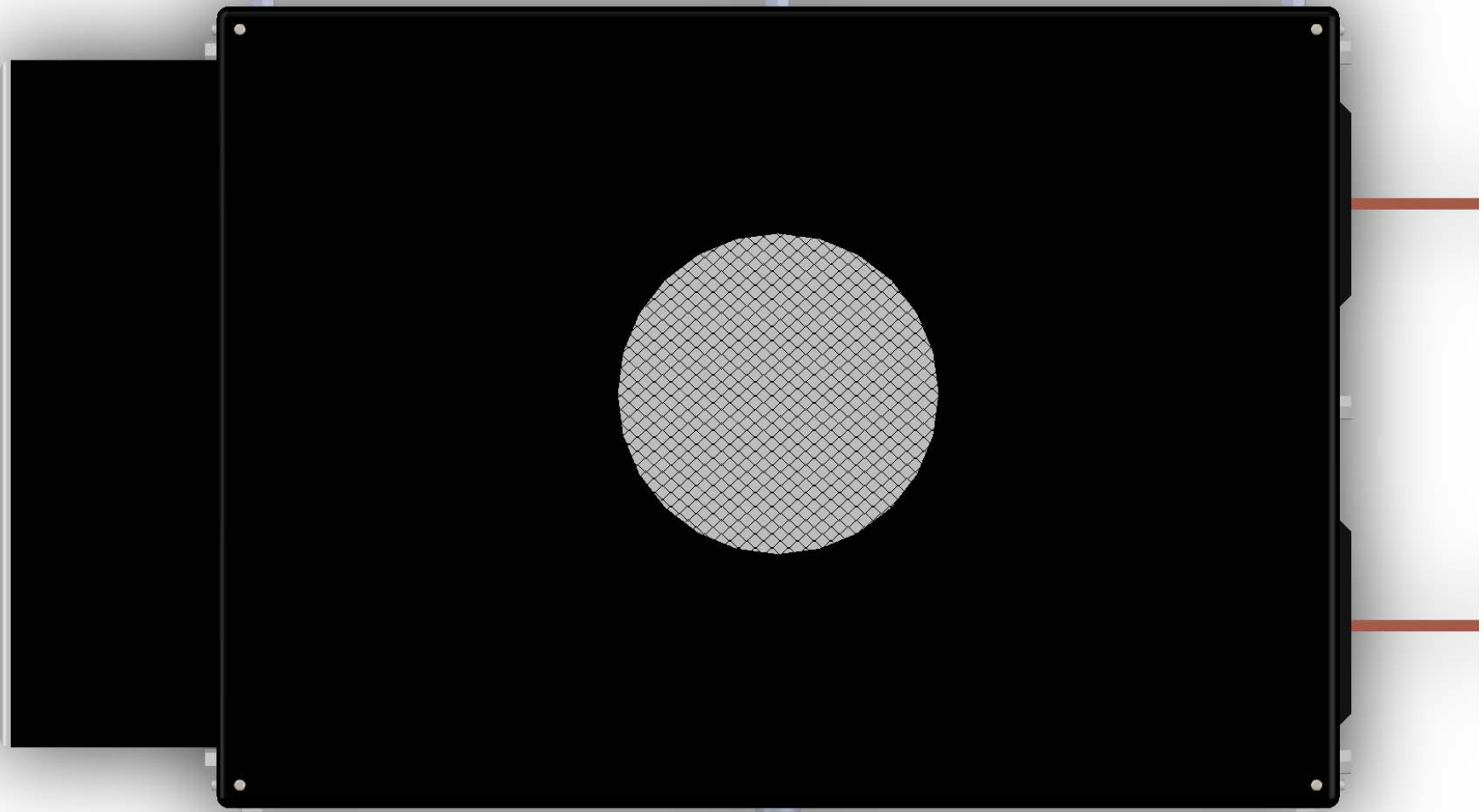


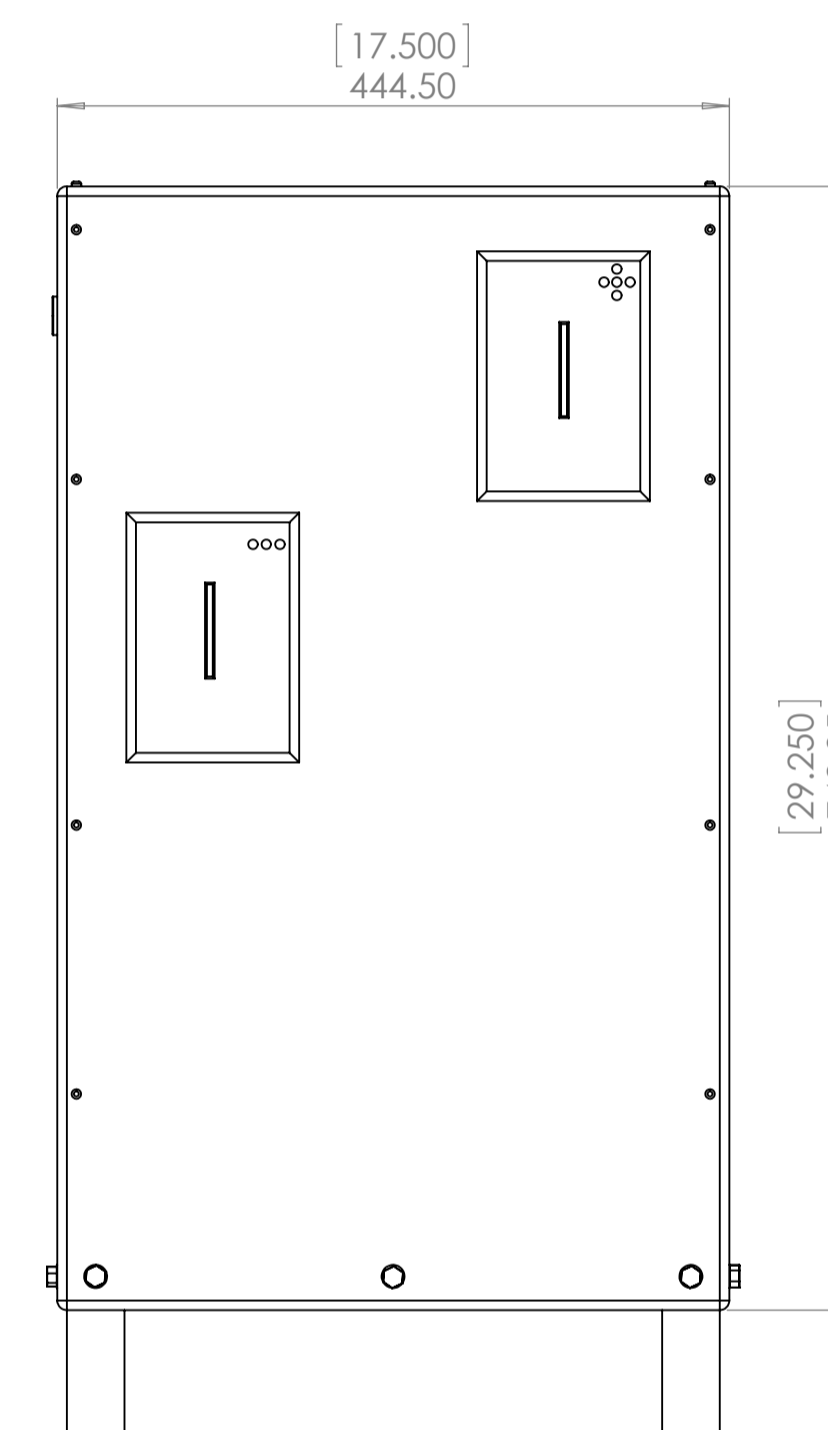
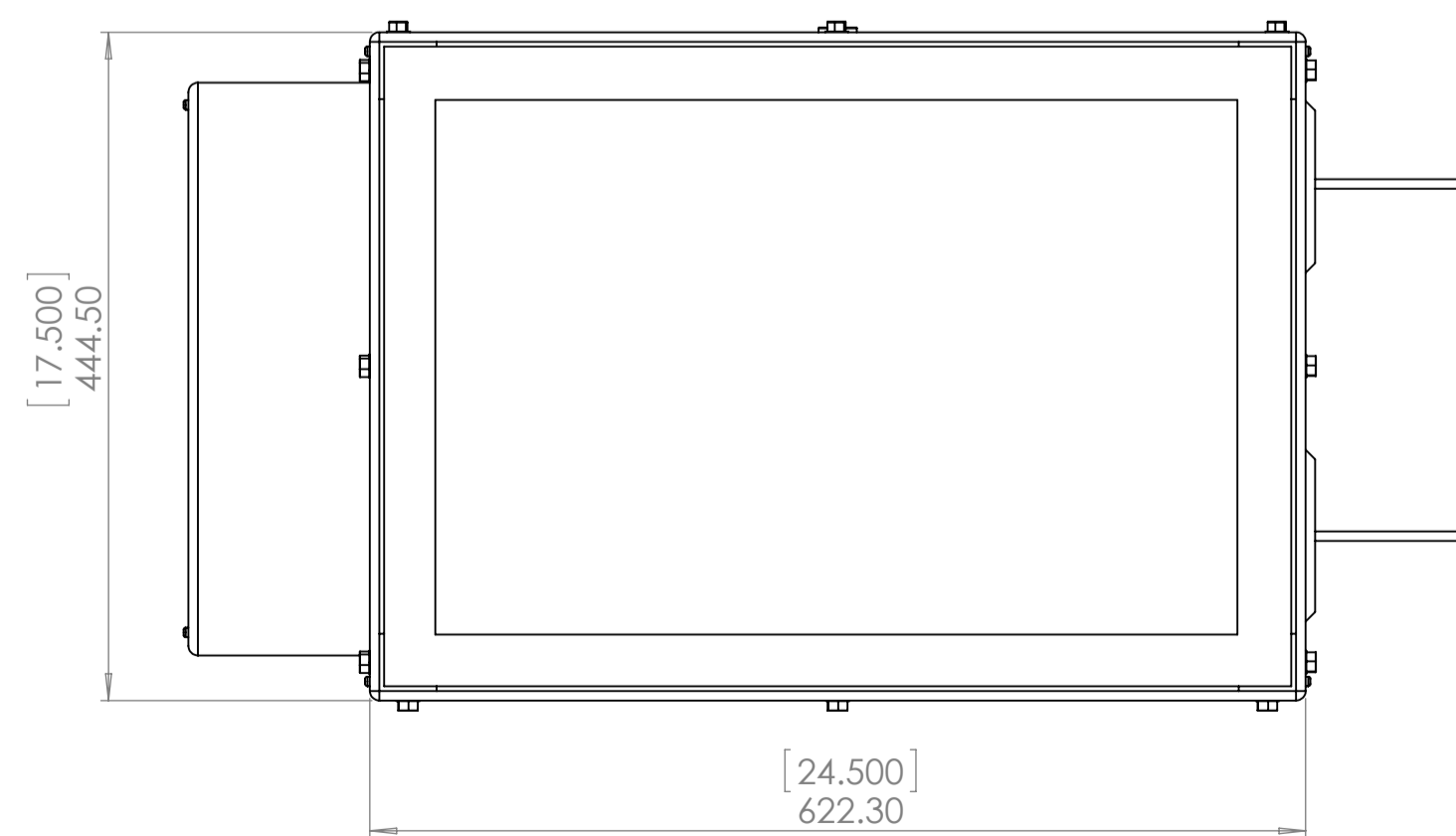
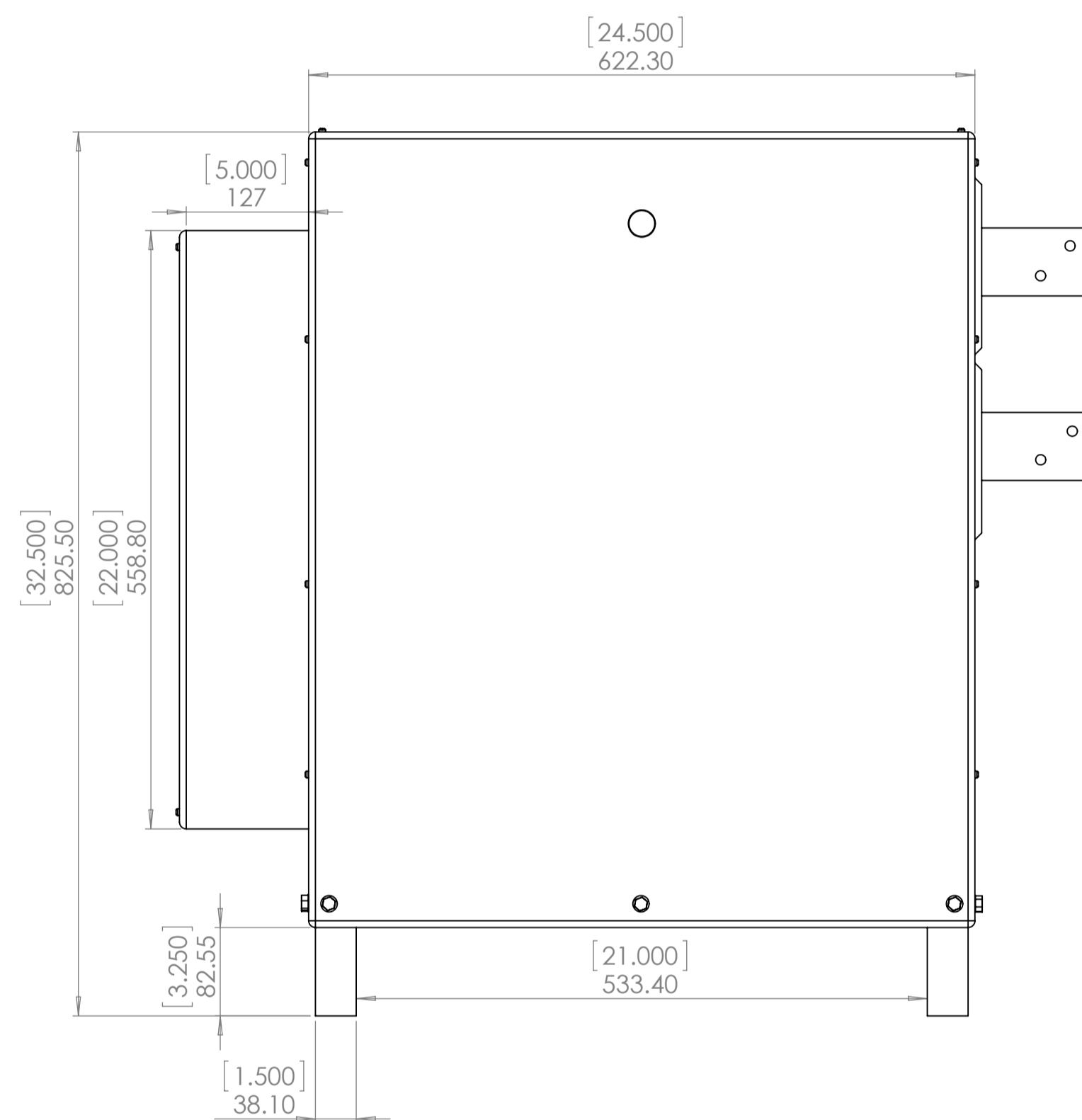
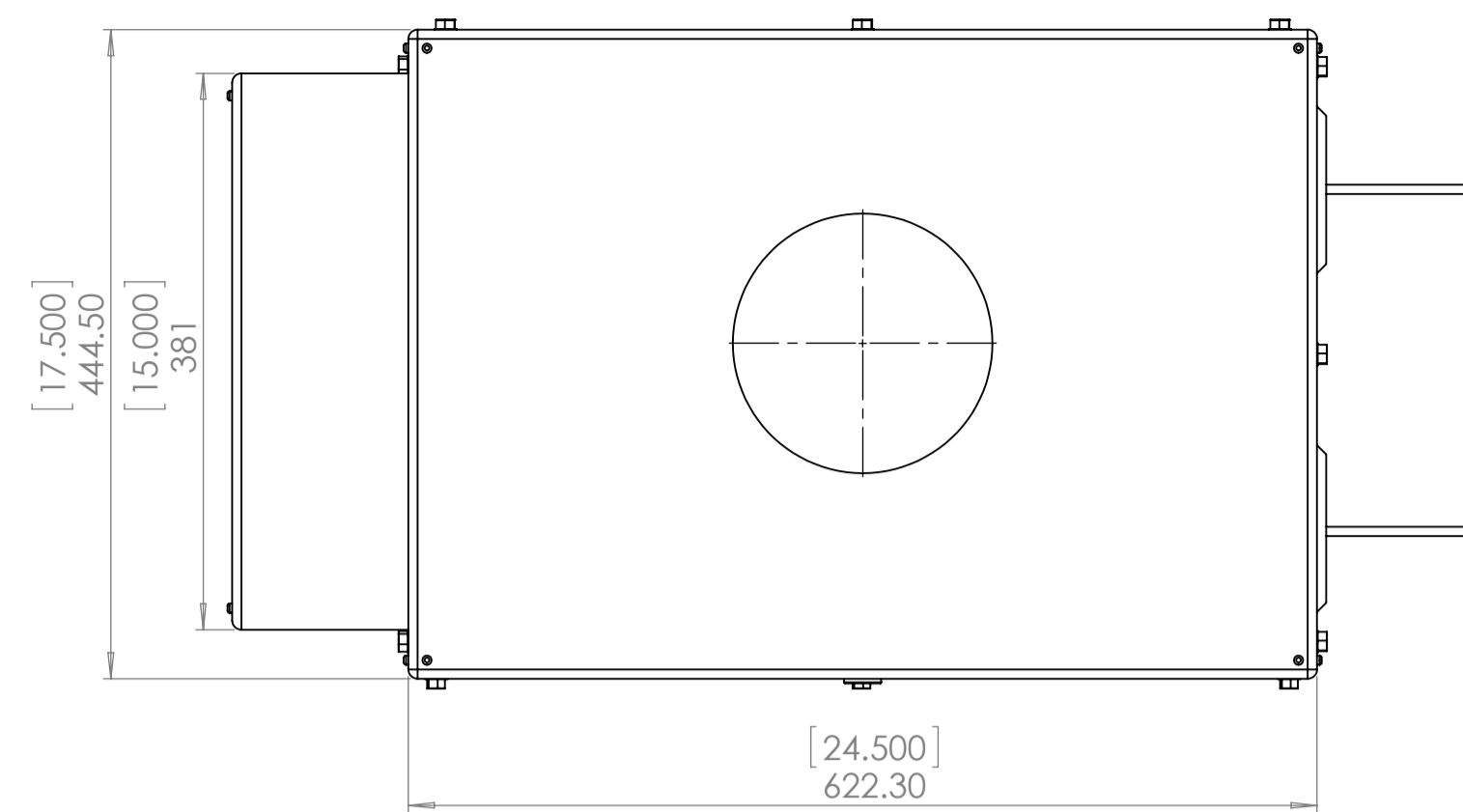
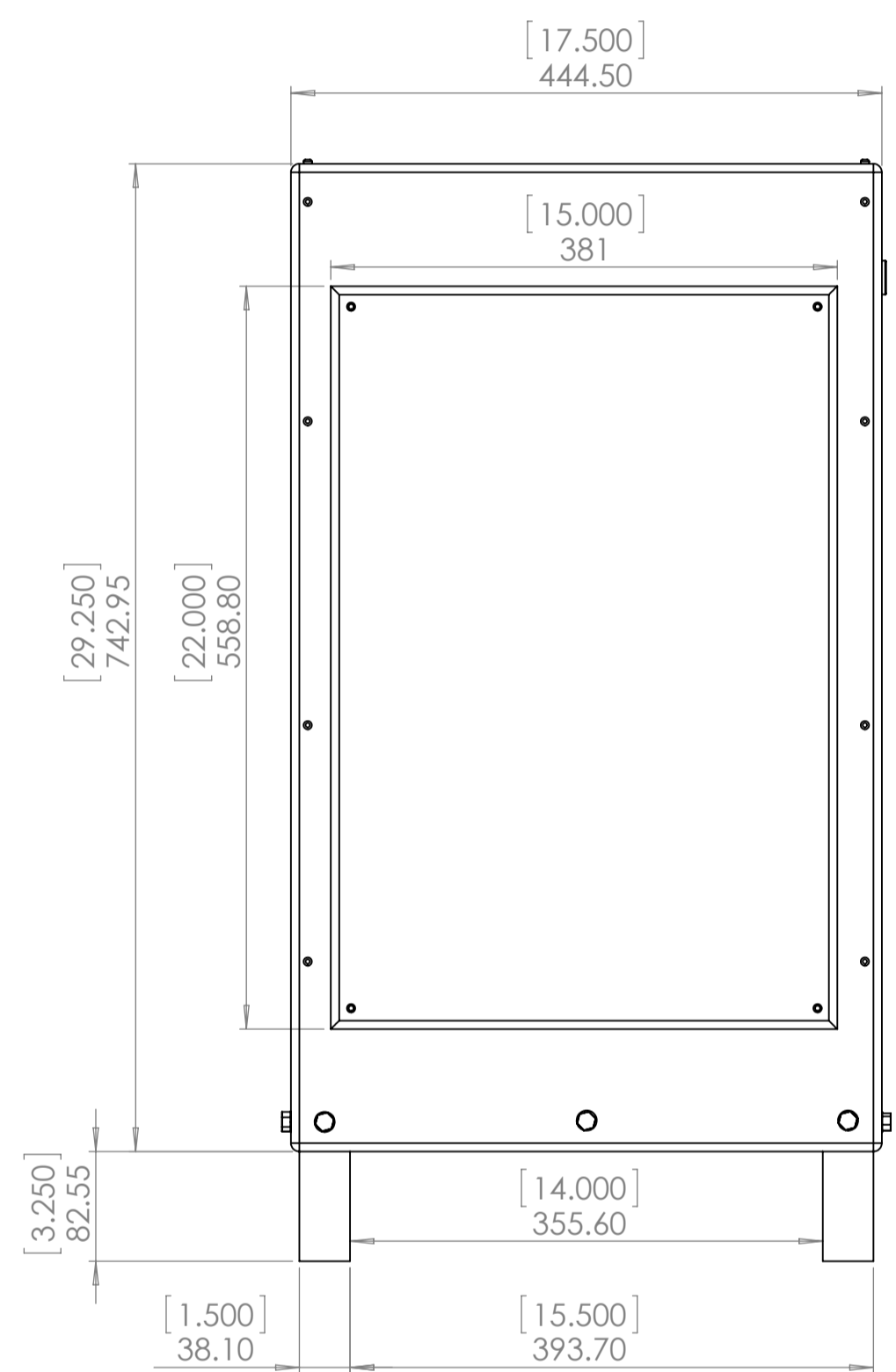
**BACK**



**LEFT**







UNLESS OTHERWISE SPECIFIED: DIMENSIONS ARE IN MILLIMETERS SURFACE FINISH: TOLERANCES: LINEAR: ANGULAR:			FINISH:	DEBUR AND BREAK SHARP EDGES	DO NOT SCALE DRAWING	REVISION
				ALDONEX, INC.		
				TITLE: ENCLOSURE		
DRAWN	SO		DATE	5-31-19		
CHK'D	SO		DATE	5-31-19		
APP'VD:						
MPG						
Q.A.					MATERIAL: POLY	
				WEIGHT:	DWG NO. P-4A CABINET	A1
				SCALE: 1:5	SHEET 1 OF 1	