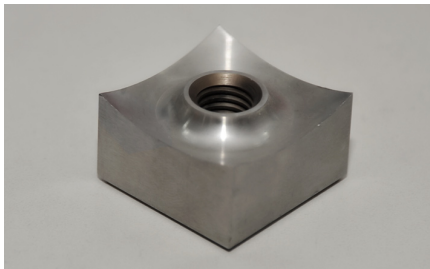


# P Series

## Pipe/profile Shredder

- No pre cutting of pipe lengths necessary
- Process pipes up to 1200 mm diameter
- Automatic control giving virtually risk free operation
- Elimination of amperage peaks
- High throughput rates
- Allows feeding of bundles or nested pipes and profiles
- Large diameter rotor (up to 1500 mm)



The shredders use concave ground square knives, producing high quality output. The cutters can be turned after a side is worn out.



The P shredders use very large diameter flat E-style rotors. The knives are fixed in special knife holders fitted in machined pockets.



The P pipe shredders are equipped with a special feeding trough sized to take pipes of up to 6 m length. A powerful hydraulic ram forces the pipes into the rotor.

### General Description

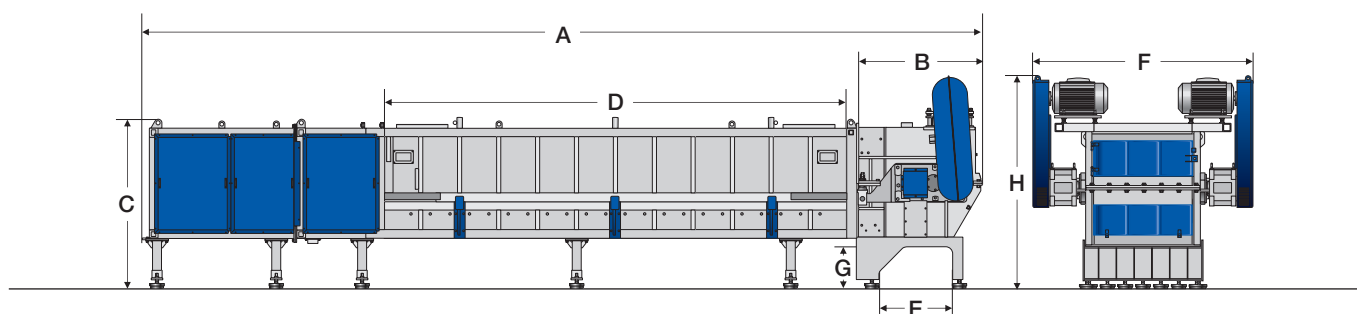
The P shredder is the world's first single shaft shredder capable of handling large diameter pipes (up to 1200mm dia ) without the need for pre cutting. Since their introduction they have become the per se standard for pipe shredding and are used world-wide by leading pipe manufacturers. More than 200 installations demonstrate our technological leadership in this industry and continuing innovation is based on market demands and customer feedback. Dependent on pipe diameter, the P rotor diameters and widths range from 800mm up to 1500 mm. The standard hopper accepts pipe lengths of up to 6 m. The combination of advanced controls, low rotor speed, and smooth hydraulics create a reliable and easy to use system.

### Applications

The main focus of the P shredders is the shredding of large diameter pipes or bundles of smaller pipes and profiles made from HDPE, PP and PVC. The machines can also be used for recycling of other plastic materials such as large lumps, stacked wheelie bins and pallets. In combination with other Virtus size reduction equipment such as granulators and pulverizers we are able to provide a complete turn-key recycling solution.

# P Series

## Pipe/profile Shredder



### Technical Specifications and Dimensions

#### Model

Rotor diameter (mm)	852	1033	1482
Rotor width (mm)	850	1130	1410
Rotor speed (rpm)	40	36	23
Drive capacity (kW)	2 x 37	2 x 45	2 x 55
Rotor knives (pcs)	60	81	136
Stator blades (rows)	1 or 2	1 or 2	1 or 2
Ram feeder drive (kW)	11	15	15
Feeding trough volume (m <sup>3</sup> )	2.7	6.7	12.6
Biggest pipe (mm)	3500 x Ø630	6500 x Ø850	6500 x Ø1200
Weight approx (kg)	11000	16000	25000

#### 800

Rotor diameter (mm)	852
Rotor width (mm)	850
Rotor speed (rpm)	40
Drive capacity (kW)	2 x 37
Rotor knives (pcs)	60
Stator blades (rows)	1 or 2
Ram feeder drive (kW)	11
Feeding trough volume (m <sup>3</sup> )	2.7
Biggest pipe (mm)	3500 x Ø630
Weight approx (kg)	11000

#### 1000

Rotor diameter (mm)	1033
Rotor width (mm)	1130
Rotor speed (rpm)	36
Drive capacity (kW)	2 x 45
Rotor knives (pcs)	81
Stator blades (rows)	1 or 2
Ram feeder drive (kW)	15
Feeding trough volume (m <sup>3</sup> )	6.7
Biggest pipe (mm)	6500 x Ø850
Weight approx (kg)	16000

#### 1500

Rotor diameter (mm)	1482
Rotor width (mm)	1410
Rotor speed (rpm)	23
Drive capacity (kW)	2 x 55
Rotor knives (pcs)	136
Stator blades (rows)	1 or 2
Ram feeder drive (kW)	15
Feeding trough volume (m <sup>3</sup> )	12.6
Biggest pipe (mm)	6500 x Ø1200
Weight approx (kg)	25000

A (mm)

7695

11940

12180

B (mm)

1420

1580

1820

C (mm)

1830

1965

2320

D (mm)

3860

6720

6720

E (mm)

975

1080

1080

F (mm)

2545

2965

3250

G (mm)

590

590

590

H (mm)

2565

2660

3160

#### Virtus Equipment

311 Era Drive  
Northbrook, IL 60062  
Phone: 1-847-291-1800  
sales@virtus-america.com

[virtus-equipment.com](http://virtus-equipment.com)

**virtus**  
The Right Machine for  
Today's Recycling Requirements