

SPPM401800C125

Permanent Magnet Solar Pump

Performance

| | |
|------------------|-------------------------|
| Water Head | 16 - 11 m |
| Daily Water Flow | 76 - 125 m ³ |

Technical Data

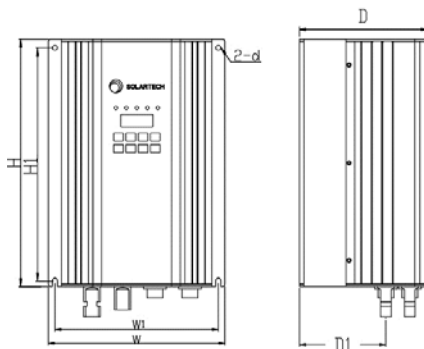
| | |
|------------------------------|-----------------------------|
| Pump Specifications | Centrifugal Pump 110V 110Hz |
| Pump Outlet Dia. | 50 mm, 2" |
| Adapting Well Dia. | 125 mm |
| Solar Pumping Inverter Model | PM1800D |
| Inverter Power | 1800 W |
| Max. DC Input Voltage | 200 V |
| Recommended MPP Voltage | 120-160 V |
| Inverter Ambient Temperature | -20 ~ 60 °C |
| Pump Model | SPM4-14-1.5 |
| Pump Power | 1.5 kW |
| Pump Enclosure Class | IP68 |
| Ambient Water pH Range | 6.5 - 8.0 |
| Ambient Water Temperature | 1 - 35 °C |



Dimension, Weight and Material

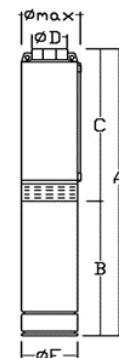
Inverter

| |
|-------------|
| W = 202 mm |
| H = 284 mm |
| D = 146 mm |
| W1 = 187 mm |
| H1 = 272 mm |
| D1 = 113 mm |
| d = 6 mm |



Pump

| |
|---------------|
| A = 859 mm |
| B = 375 mm |
| C = 484 mm |
| ΦD = 2" |
| ΦE = 95 mm |
| Φmax = 100 mm |



| | | | |
|-------------------------|---------------------|-----------------------------|-----------------|
| Solar Pump Net Weight | 19 kg | Pump Impeller Material | POM |
| Solar Pump Gross Weight | 22.1 kg | Pump Body Material | AISI 304 |
| Solar Pump Volume | 0.04 m ³ | Inverter Enclosure Material | Aluminium Alloy |

Relevant Information

Warranty

| | |
|----------|---------|
| Inverter | 3 years |
| Pump | 1 year |

Standards

| | |
|--|---------------------------|
| | EN 61000-6-3:2007+A1:2011 |
| | EN 61000-6-1:2007 |
| | EN 60335-1:2012 |
| | EN 60335-2-41:2003 |
| | +A1:2004+A2:2010 |

Performance Curve

 Solar Radiation : 6kWh/m²/day
