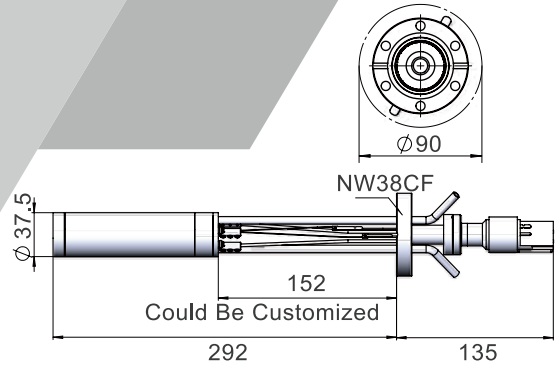


High Temperature Evaporator



The High Temperature Evaporator is designed for clean UHV operation up to 2000°C. The concept of ceramic support heating element is no long valid here as:

Most ceramic is semiconducting at such high temperature thus insulating is difficult.

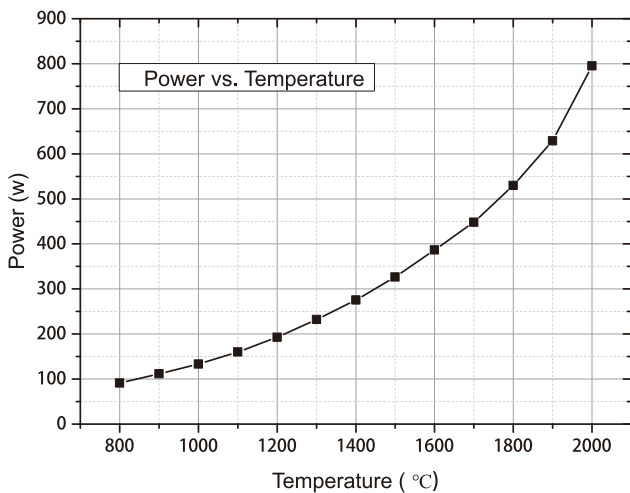
To overcome these issues, one self-standing filament is manufactured which is the key point for this high temperature evaporator. With this free-standing filament of thick tungsten wire, the ultimate version is capable of reaching even 2000°C.

To prevent the flange from being heated by the radiation of the heating element and also cool the electrode during max power running. One internal water cooling stage is included with high temperature evaporator. However external water cooling shroud is always recommended to prevent the chamber being heated up.

Specification

Mounting Flange	Crucible Size	Working Temperature	Degas Temperature	Thermocouple	Stability	Part Number
NW38CF (2.75 inch)	10 cc	800~1800°C	1900°C	C	±0.1°C	EC38HT
		1000~2000°C	2000°C	C		EC38UHT

Power Test



Temperature Stability

