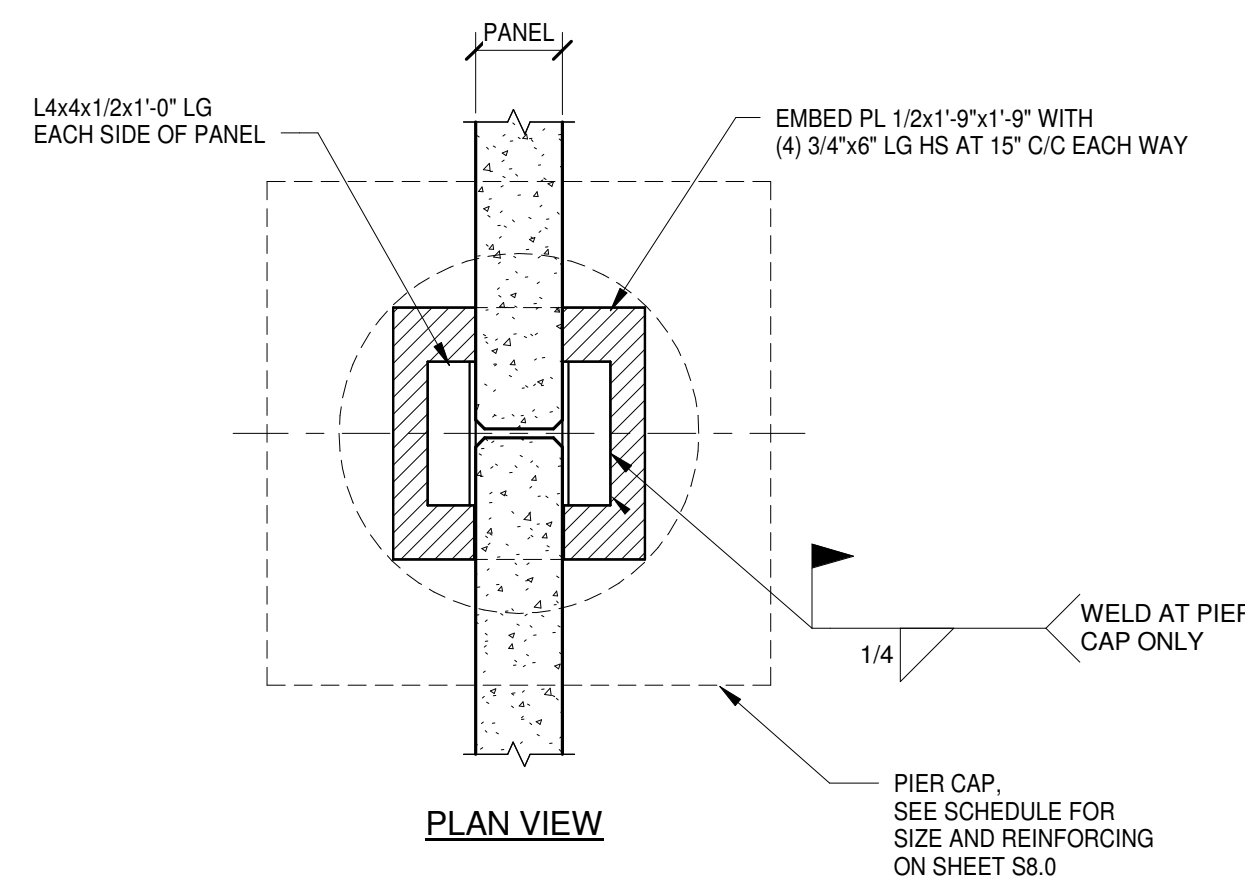
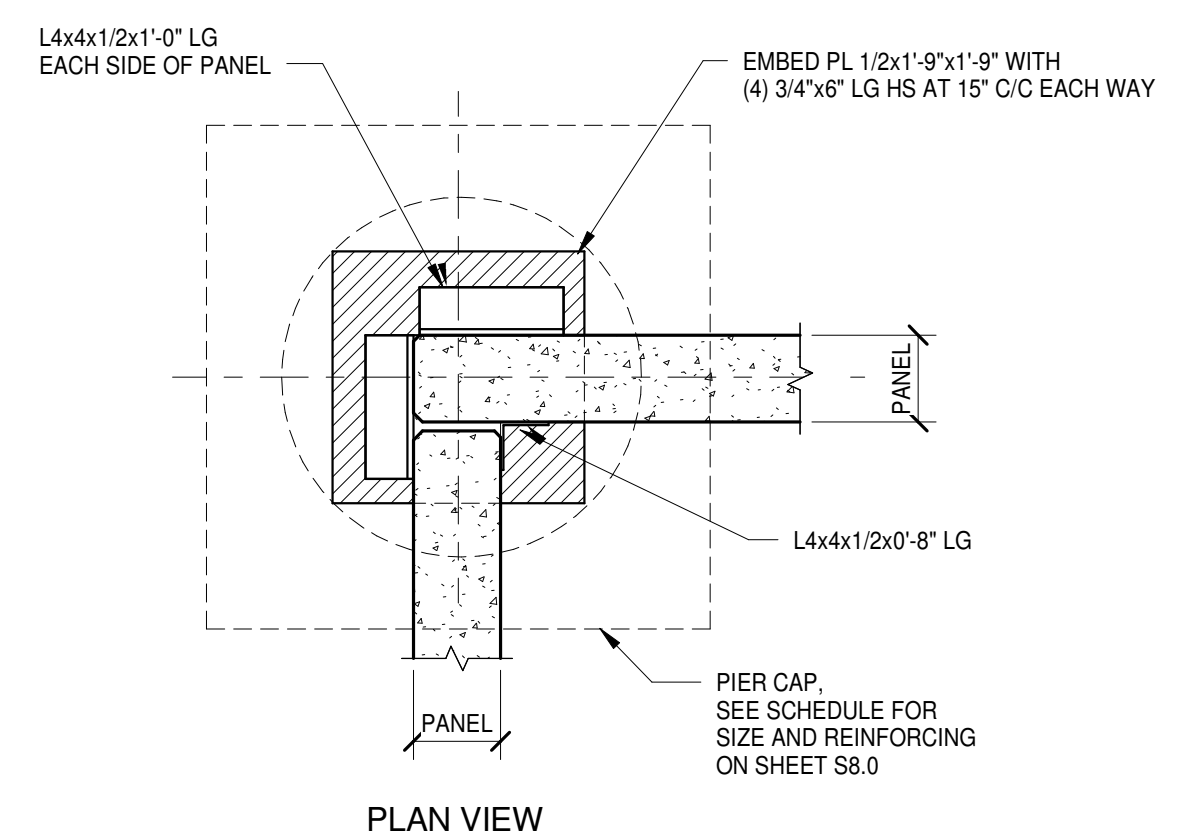


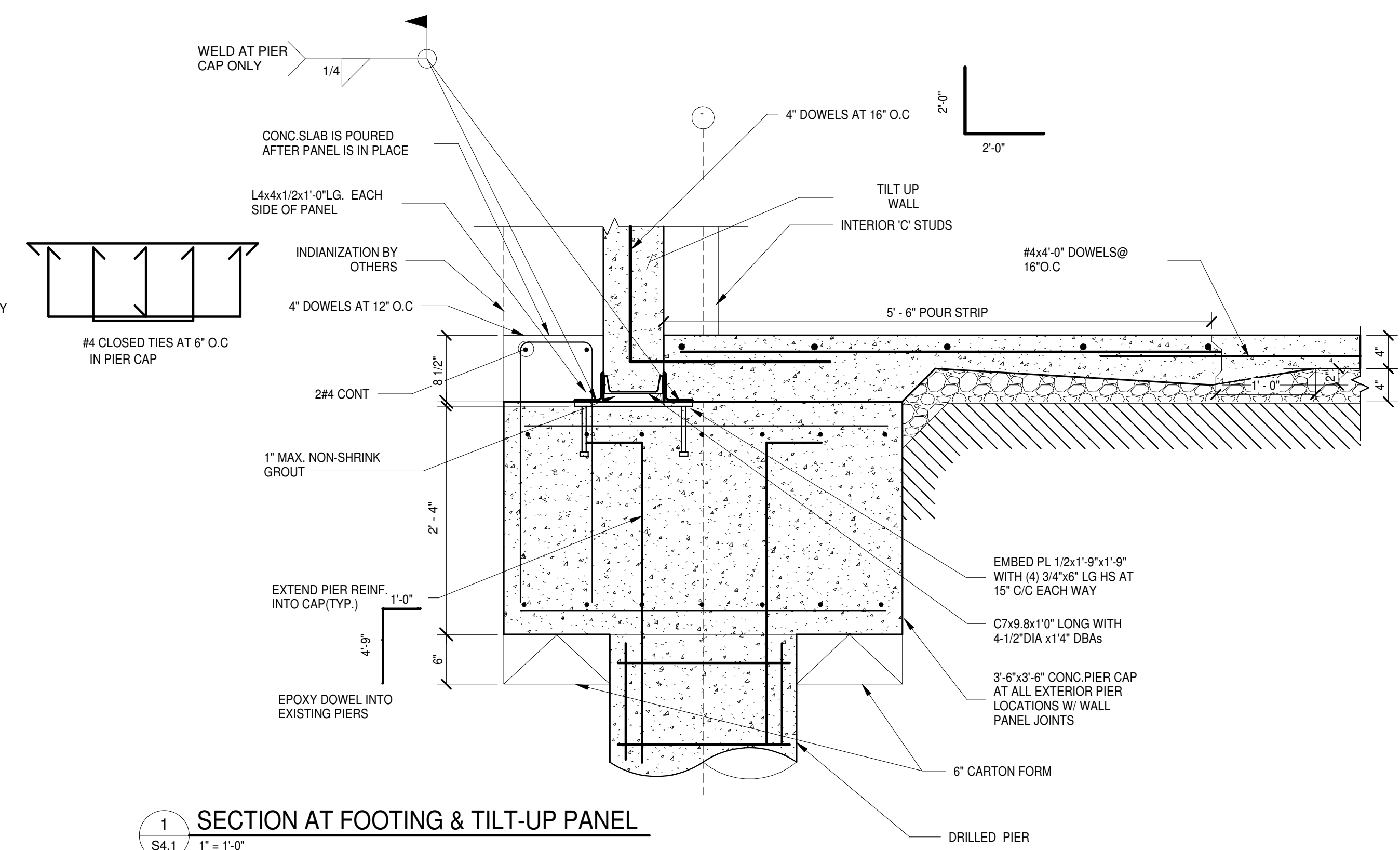
8/26/2016 8:54:35 AM T:\Projects\Structural\2016\16BRW015 - RADHA KRISHNA TEMPLE\Rev\16BRW015-Central R15 (RESTLDC).rvt



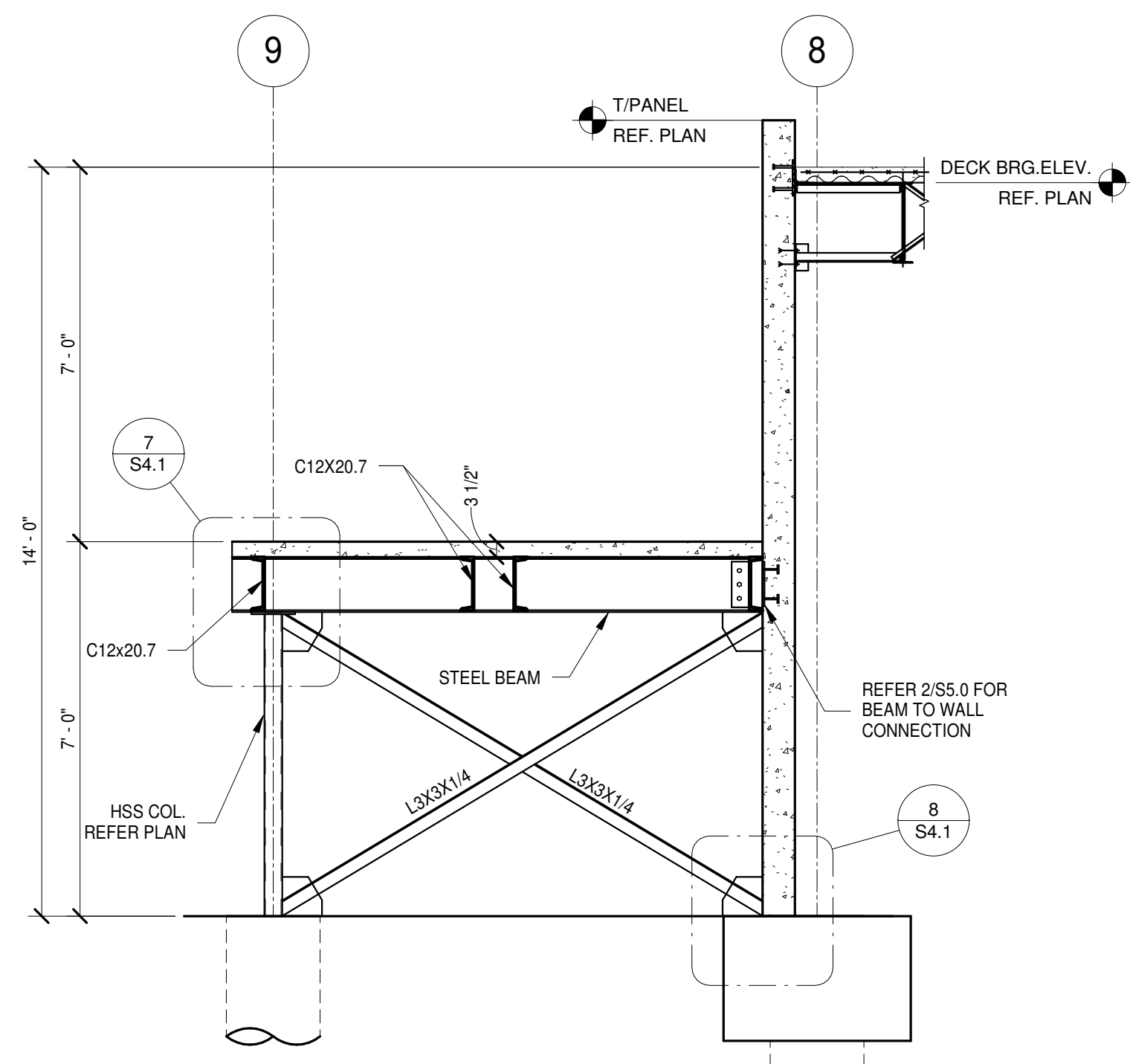
3 SECTION DETAIL
S4.1 3/4" = 1'-0"



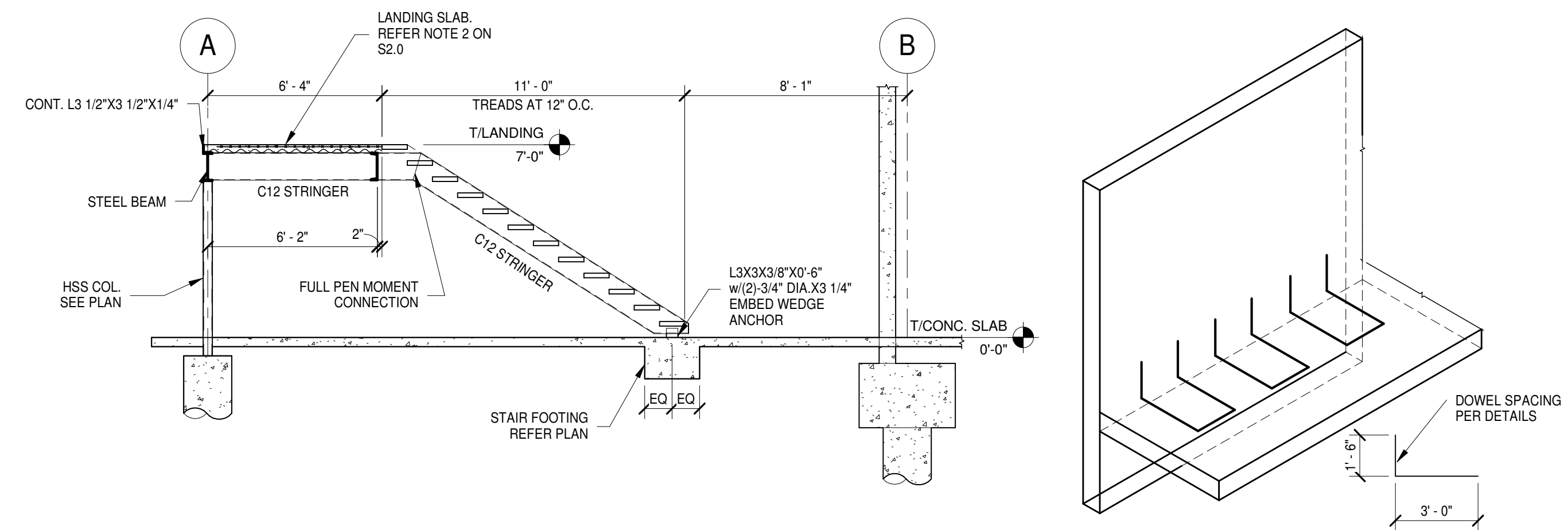
2 SECTION DETAIL
S4.1 3/4" = 1'-0"



1 SECTION AT FOOTING & TILT-UP PANEL
S4.1 1" = 1'-0"

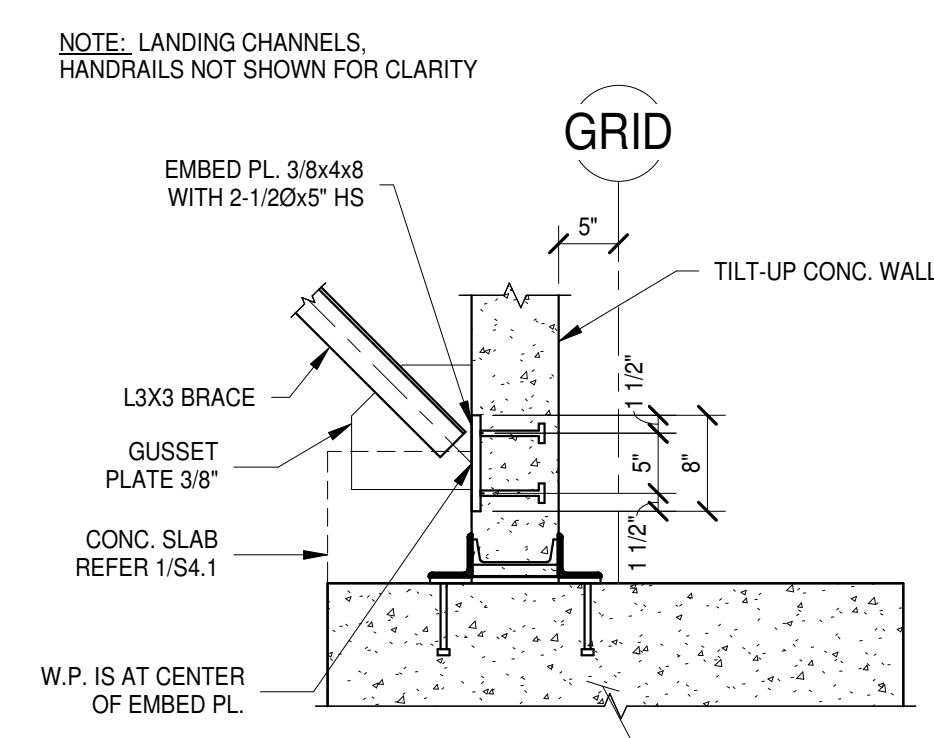


6 STAIR SECTION
S4.1 3/8" = 1'-0"

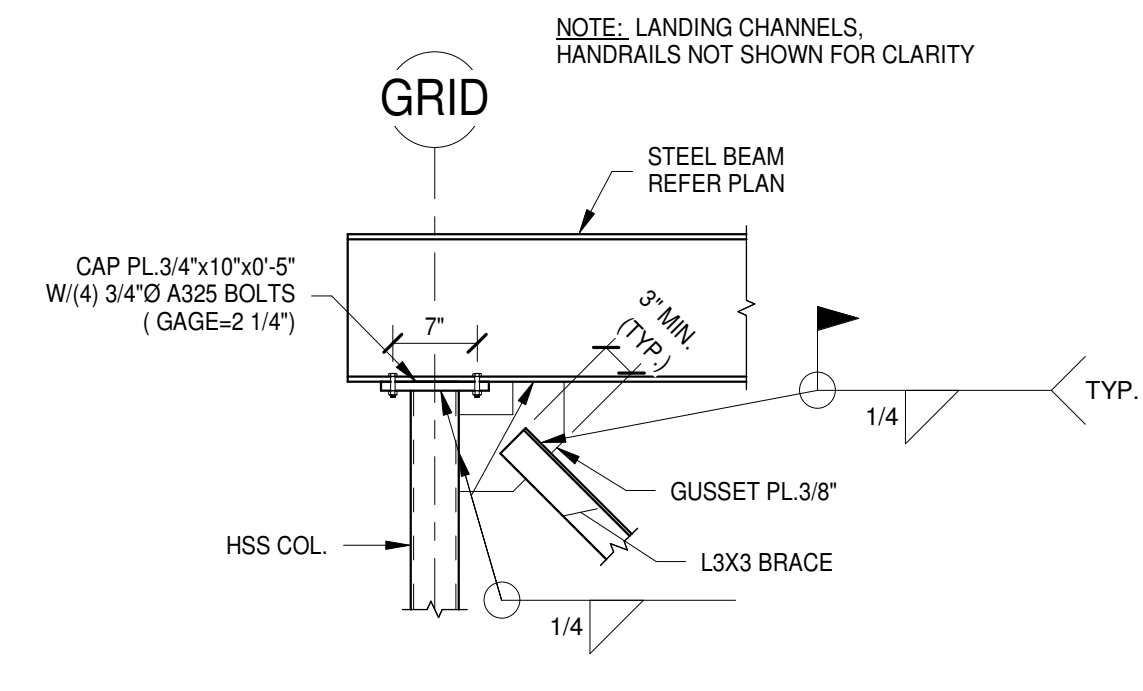


5 STAIR SECTION
S4.1 1/4" = 1'-0"

4 ALTERNATE SLAB TO WALL REINFORCING SECTION
S4.1 1/4" = 1'-0"



8 DETAIL
S4.1 3/4" = 1'-0"



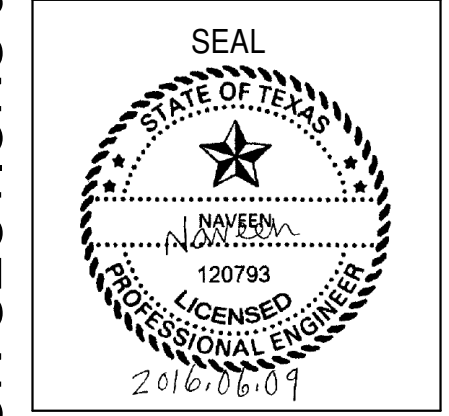
7 DETAIL
S4.1 3/4" = 1'-0"



RADHA KRISHNA TEMPLE
Owner
ALLEN TEXAS

JOB NUMBER: 16DLS003
ISSUE DATE: 04-22-2016
DRAWN BY: SDB
DESIGNED BY: NAV

REVISIONS	
ADDENDUM NO. 2	06-09-2016



SHEET NUMBER
S4.1

FOUNDATION SECTIONS & DETAILS