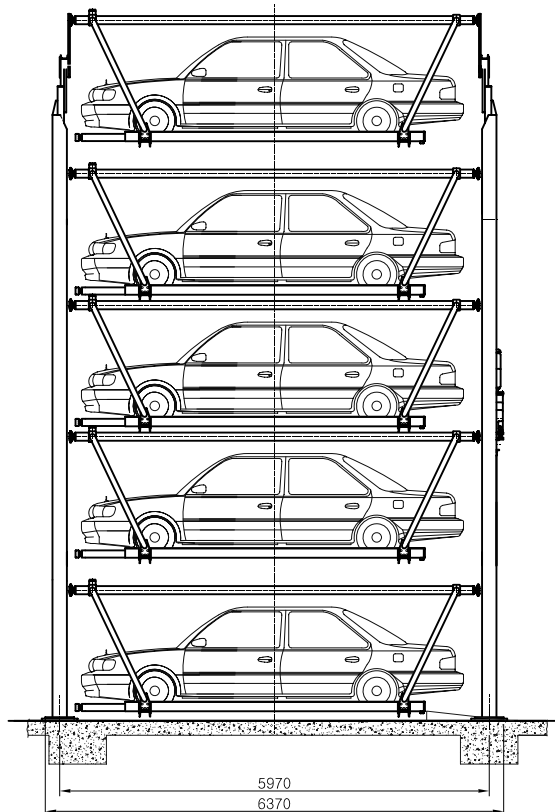
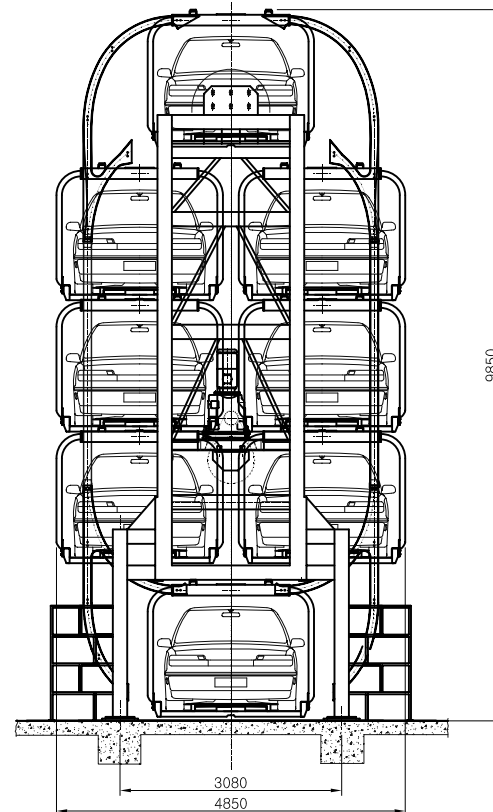


PLAN



SIDE ELEVATION



FRONT VIEW

SPECIFICATION			
BRAND NAME	SMART PARKING®		
MODEL NO.	SM8L		
TYPE	VERTICAL ROTARY PARKING		
PARKING CAPACITY	8 CARS		
AVAILABLE CAR	LENGTH	5,200mm	BENZ600 BMW745 LEXUS430
	WIDTH	2,100mm	
	HEIGHT	1,600mm	
	WEIGHT	2,150kg	
MOTOR	7.5kw x 4P		
SPEED	3.5m/min (0.9rpm)		
POWER	AC380V x 3ø x 50Hz, 9kw		
KOREAN CERTIFICATE SEUL 1-27, 36 CE CERTIFICATE M8 06 11 60033 001 GOST CERTIFICATE POCC KR 04.H00961 PATENT PENDED AND REGISTERED IN KOREA & PCT			
<b>DYPC Dong Yang PC, Inc.</b> T: 02-2634-3764~5			

MODEL	SMART PARKING® SM8L				
PROJECTION	SCALE	DATE	DESIGNER	CHECKED	APPROVED
①		2006.07.01	I.G.KIM	I.G.KIM	D.Y.PARK
DWG. NO	SM8L-0000-00				REV.

**DYPC Dong Yang PC, Inc.**