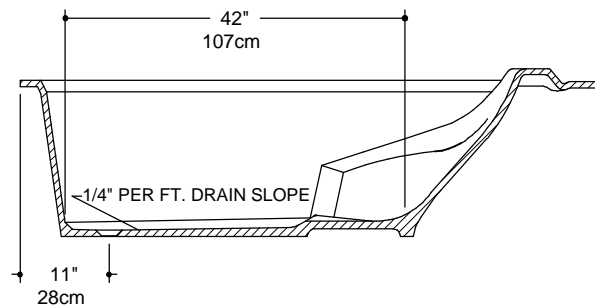
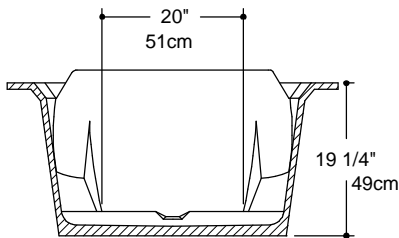
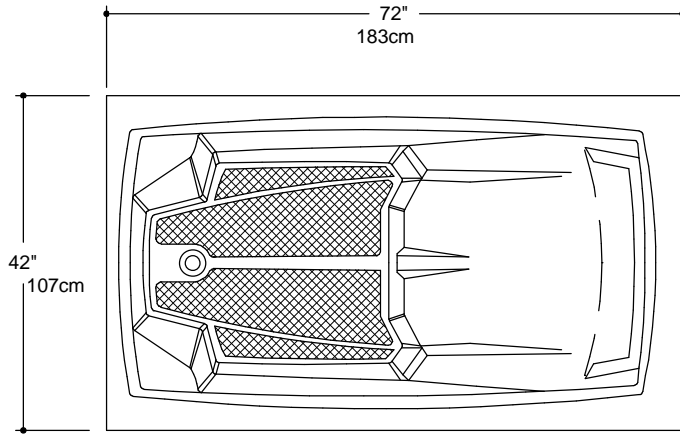


MK25



GRUBER SYSTEMS RESERVES THE RIGHT TO CHANGE THIS INFORMATION AT ANY TIME WITHOUT PRIOR NOTICE. ISSUED BY GRUBER SYSTEMS INC., 25636 AVENUE STANFORD, VALENCIA, CA 91355, USA. COPYRIGHT 2002

MOLD PART	CATALOG No.	DESCRIPTION
MALE	29025	MARK 25 TUB
FEMALE	490258	F- MK 25 ONE PIECE
2PC FEM DECK	490251	F-MK 25 DECK
2PC FEM BOT	490252	F- MK 25 BOTTOM
TURTLE	490253	F- MK 25 TURTLE
NAME	MARK 25 BATHTUB 72" X 42" X 19 1/4" (183cm X 107cm X 49cm)	
CAST WEIGHT	SCALE 1/2" = 1' 0"	DATE 8-30-02 PAGE No. T-16