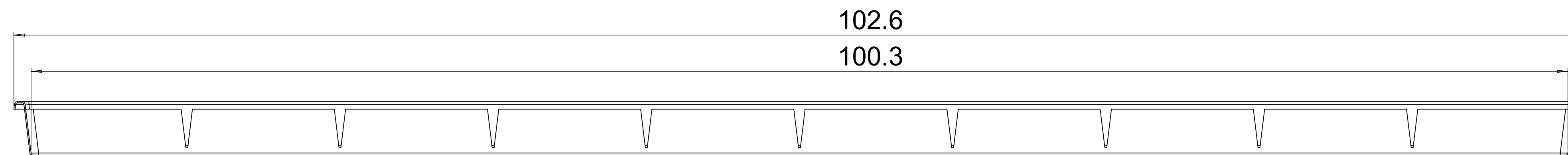
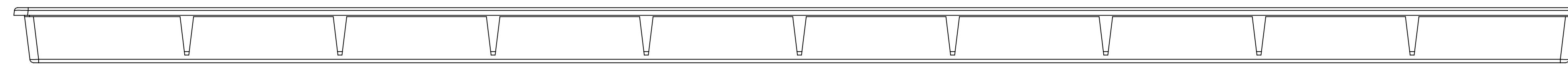


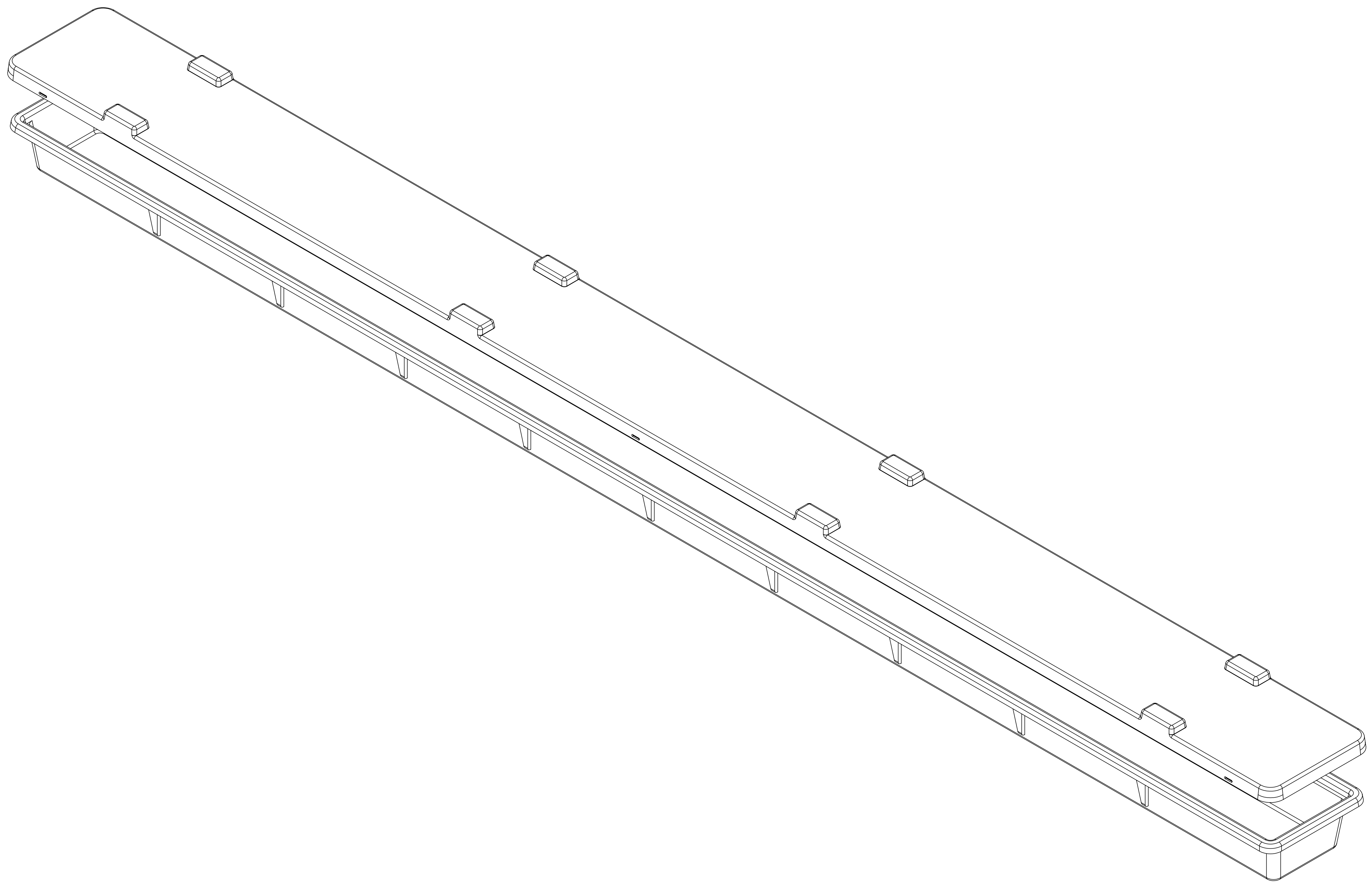
SECTION A-A  
SCALE 1 : 5



SECTION B-B  
SCALE 1 : 5

<b>Hoosier Plastics, Inc.</b> <span style="color: green;">Thermoformed Plastic Products</span>			
2011 South Third St. Terre Haute, IN • Phone: (812) 232-5027 •			
PART NUMBER: <b>3384</b>	REV <b>A</b>	UNLESS OTHERWISE SPECIFIED	DRAWN BY: MJM
DESCRIPTION: TUBE TRAY		DIMENSIONS ARE IN INCHES DRAFT IS 3°	DATE: 05/18/2007
CUSTOMER: ---		DIMENSIONS TO CAVITY SIDE	MATERIAL: DOW 555 ABS
CUSTOMER PART NUMBER: ---		TOLERANCES: ANGULAR: 1° DECIMAL: .020	STOCK SIZE: 3.5" x 5.3" x 102.6"
SCALE: 1:5		THIS DESIGN IS THE SOLE PROPERTY OF HOOSIER PLASTICS, INC. UNTIL PURCHASED BY CUSTOMER	SHEET 1 OF 2

8 7 6 5 4 3 2 1



F  
E  
D  
C  
B  
A

F  
E  
D  
C  
B  
A

**Hoosier Plastics, Inc.** Thermoformed Plastic Products  
 2011 South Third St. Terre Haute, IN • Phone: (812) 232-5027 •

PART NUMBER: <b>3384</b>	REV <b>A</b>	UNLESS OTHERWISE SPECIFIED	DRAWN BY:
DESCRIPTION: ---		DIMENSIONS ARE IN INCHES DRAFT IS 3°	DATE:
CUSTOMER:		DIMENSIONS TO CAVITY SIDE	MATERIAL: ---
CUSTOMER PART NUMBER:		TOLERANCES: ANGULAR: 1° DECIMAL: .020	STOCK SIZE: ---
SCALE: 1:3		THIS DESIGN IS THE SOLE PROPERTY OF HOOSIER PLASTICS, INC UNTIL PURCHASED BY CUSTOMER	SHEET 2 OF 2

8 7 6 5 4 3 2 1