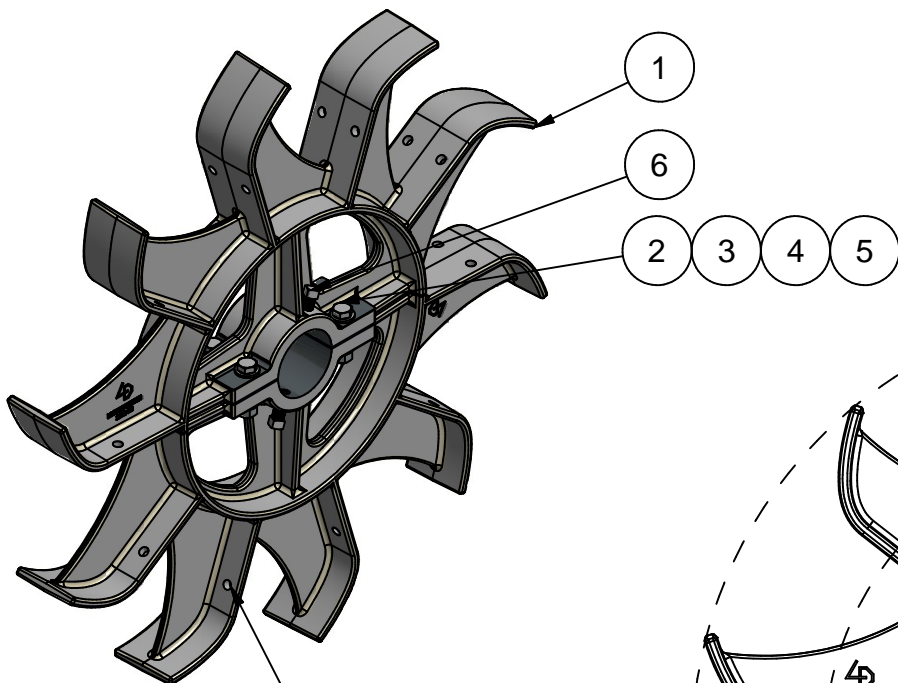


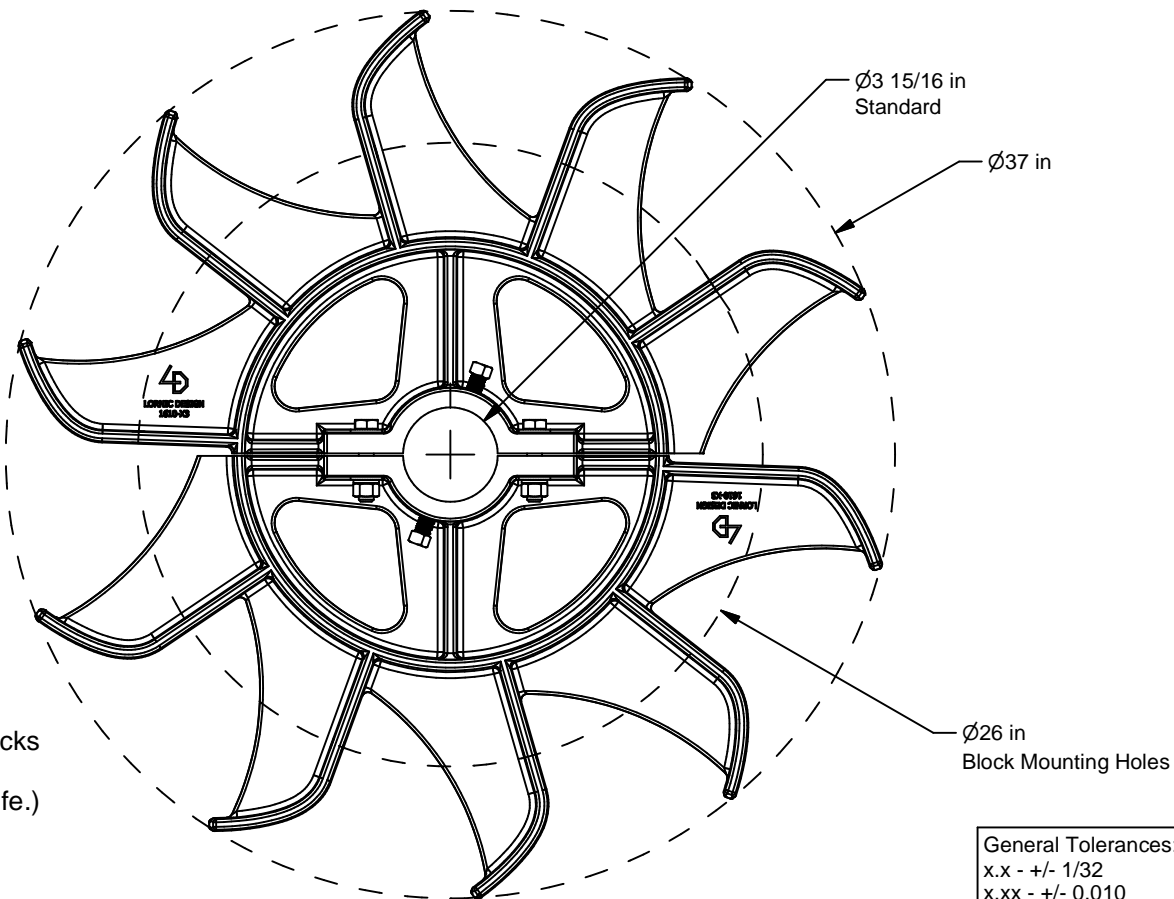
2

1

Parts List		
ITEM	QTY	PART NUMBER
1	2	1610-115 X3 Machined Half
2	4	HHCS, Zinc, 5/8-11 x 3
3	8	1610-P-100 5-8 SAE Washer
4	4	LW, Zinc, 5/8"
5	4	HN, Zinc, 5/8-11 UNC
6	2	1610-P-102 Set Screw

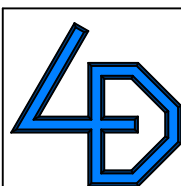


Block Mounting Bolt Holes
per Customer
1/2 and 5/8 Standard
Other available upon request



Unique curved star wheel controls how far scraper blocks can deflect, resulting in significantly longer block life. (Most customers are seeing a 30% increase in block life.)
Ductile cast iron.
Approximately 85lbs per half.

General Tolerances:
x.x - +/- 1/32
x.xx - +/- 0.010
x.xxx - +/- 0.005
x.xxxx - +/- 0.0005



LORNIC DESIGN INCORPORATED

12613 JAMES STREET, SUITE 10
HOLLAND, MICHIGAN 49424
PHONE: 616-594-0355 FAX 616-582-5908

THIS DRAWING INCLUDING ALL DESIGNS AND INFORMATION CONTAINED OR IMPLIED IS CONFIDENTIAL AND THE PROPERTY OF LORNIC DESIGN INCORPORATED. IT MAY NOT BE USED OR REPRODUCED IN ANY MANNER WITHOUT THE WRITTEN PERMISSION OF LORNIC DESIGN INCORPORATED AND IT MUST BE RETURNED UPON REQUEST (c) 2004

RELEASE DATE: 8/31/2017

RELEASED BY: INRH

Lornic Design
X3-1610 Star Wheel
Sales Sheet

FILE: X3-1610 Star Wheel Sales.idw
SHEET: 1 of 1 X3-1610-2 Star Wheel Assy.iam

SIZE:
A

2

1