

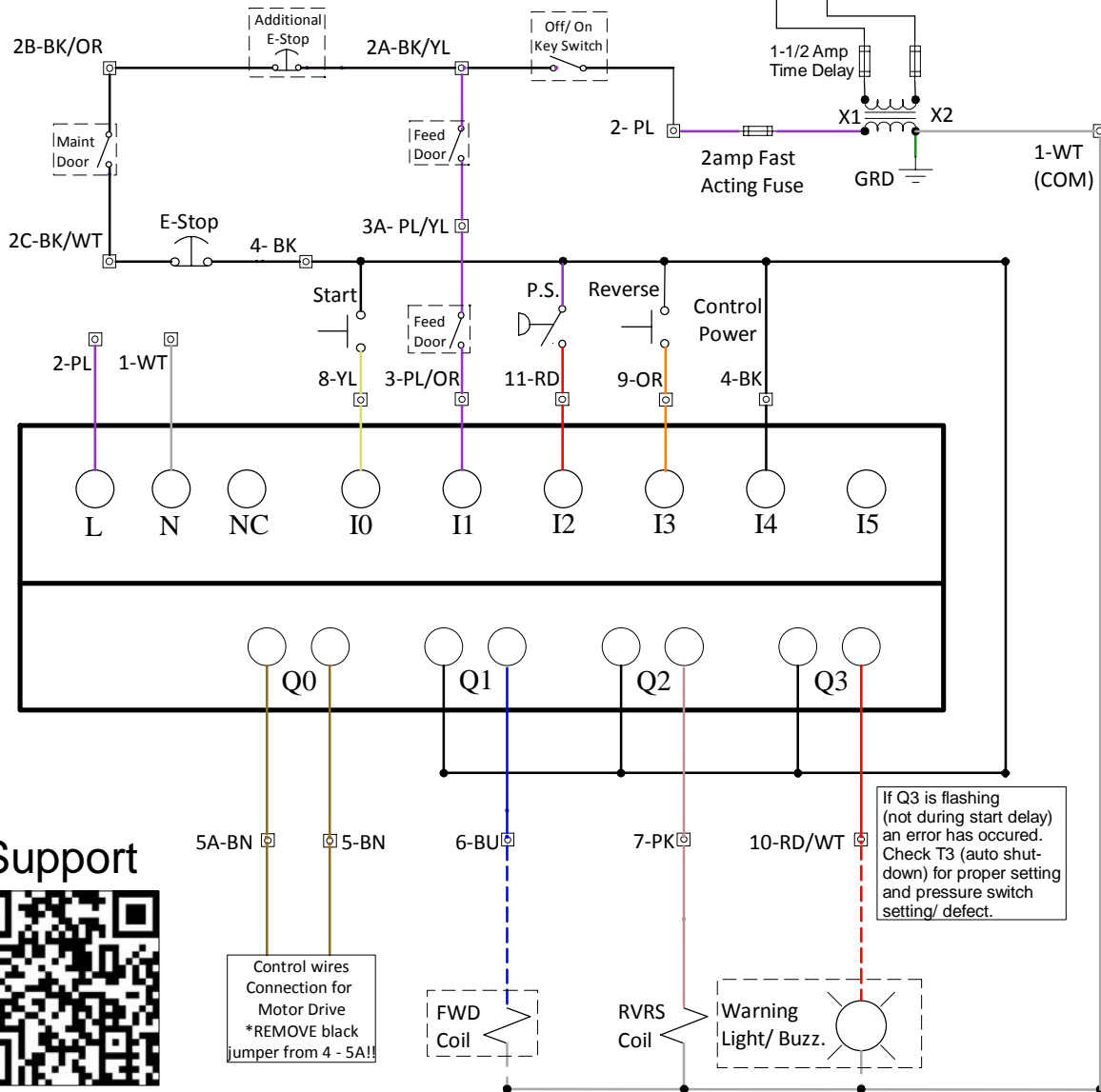
Notes:
 Both E-stops act the same.
 Both feed doors act the same.
 Maint door acts like E-stop. It does NOT count.
 Wire Start and Reverse parallel for additional stations.
 Dotted line boxes are optional connections- Jump if solid line connection, omit if dotted line connection.

Main disconnect/ branch circuit protection must be supplied by customer. Refer to fuse and breaker chart and local codes.

Main disconnect/ branch circuit protection must be supplied by installer.

Motor Size	VAC	FLA	Dual Element Fuse Max Size	Circuit Breaker Max Size	Minimum Wire Size (60°C)
10HP, 1Ph	208	55.0	100	125	4
10HP, 1Ph	230	50.0	90	110	4

Motor drive converts 1 Ph power to 3 Ph power to drive the 3 Ph motor. Circuit must be wired to 10 HP / 1 Ph Minimum requirements listed above.



Versa-Pak by PSI Waste Support:
 Go to www.psiwaste.com or call 352-742-4774 Opt 4

Date: / /

SN:

Schematic: Versa-Pak V4.5

Last Modified: Sept 30, 2014

Power Unit Data

HP: 10

Volts: 208/240

Phase: 1

Amps: 55/50

Motor RPM:

Motor Frame:

T0 (Forward):

T1 (Reverse):

T2 (Multi Cycle):

C0 (Auto Count):

Relief psi:

Pressure Switch psi:

Support



www.versa-pak.net

Control wires Connection for Motor Drive
 *REMOVE black jumper from 4 - 5A!!