



EDGE7

the integrated fall protection system

THE EDGE7 SYSTEM PROVIDES:

- ✓ solid, robust steel guardrail system
- ✓ engineered safety
- ✓ quick installation
- ✓ easy panel removal/replacement
- ✓ no regular maintenance required
- ✓ ROI - 15+ years durability
- ✓ clean, professional looking job site
- ✓ integrated tie-off ring
- ✓ maximum flexibility to protect your investment

The EDGE7 integrated edge protection system and all its components are fully compliant with all relevant OSHA and Canadian provincial and national regulations regarding both temporary guardrail systems and fall arrest systems.



safe productivity
at the
leading edge

simply the safest



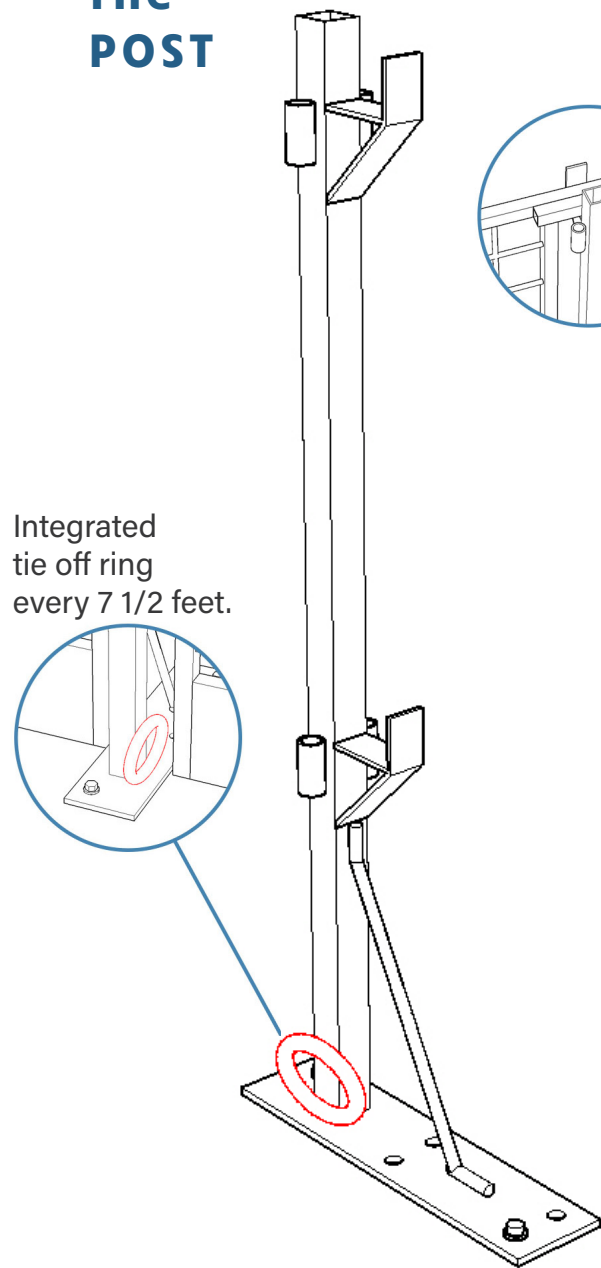
www.highlandsystems.com



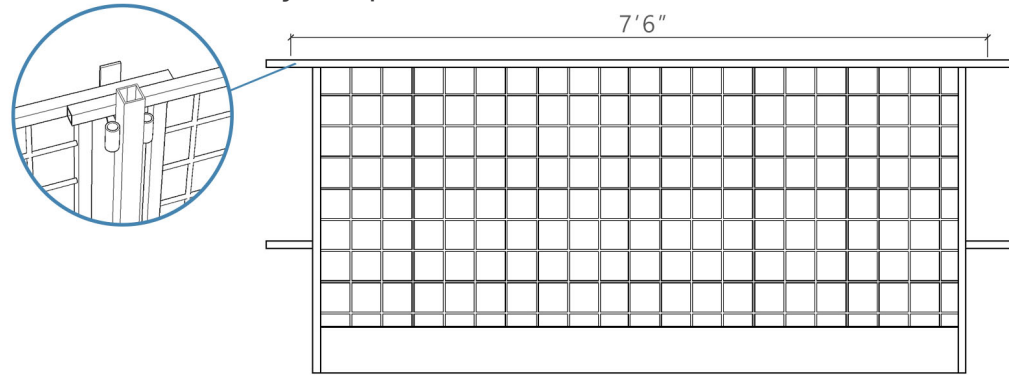
a. 200 Terence Matthews Cres.
Ottawa, ON, Canada
K2M 2C6
t. 855.591.7272
e. info@highlandsystems.com
w. highlandsystems.com

the EDGE7 guardrail

the POST

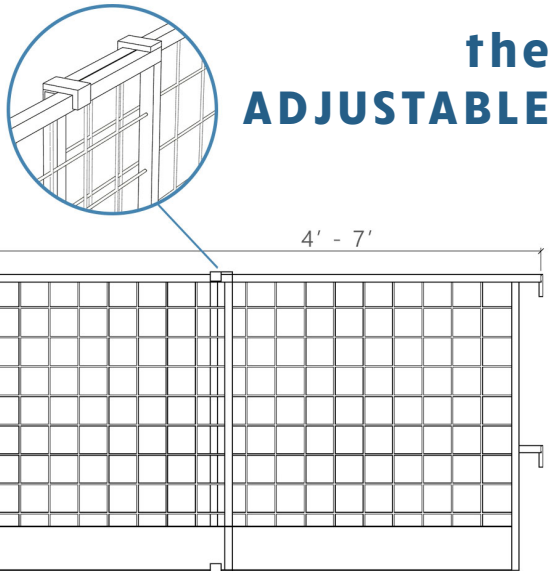


Uncomplicated panel attachment. Easy to remove, easy to replace



the FIXED

Adjustable panels allow for various widths and infinite angles.



the ADJUSTABLE



the CRATES

Protect your investment. Crates make it simple to move from yard to site, from floor to floor.

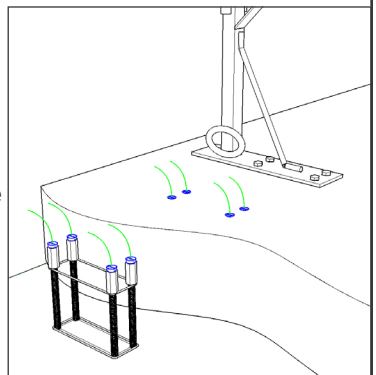
attachment methods

Highland Safety Systems has a strong history of innovative response to builders' needs and ideas. We have worked closely with customers and industry experts to enhance and improve our product line. This type of collaborative approach delivers effective products that meet your demands.

We are constantly developing new products based on what our customers require. We welcome all input and feedback.

The CAST in place insert provides an excellent non-drilling alternative. It is available in various sizes. The CAST insert is nailed or stapled to the form-work, the concrete is cast, and the posts are attached to the CAST insert with bolts. Plugs are provided to ensure that the attachment threads are protected.

the CAST in place insert



This is an excellent and robust method of attaching to poured concrete slabs. Installation is simple and quick, and the fall arrest tie off anchor can be used as soon as the posts are correctly anchored in place.

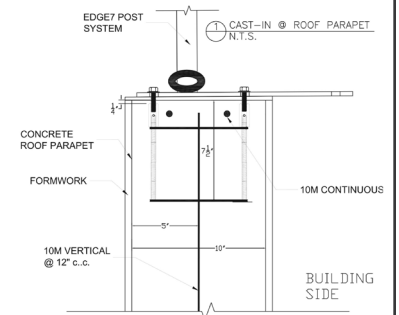
This method requires drilling into concrete. Where drilling is not a suitable option, our other attachment methods will serve your needs.



concrete ANCHORS

The PARAPET insert conveniently allows the EDGE7 system to be used with roof parapets. The insert is attached to the parapet pre-pour. Once the concrete is cast, the posts are attached to the PARAPET insert with bolts. Plugs are provided to ensure that the attachment threads are protected.

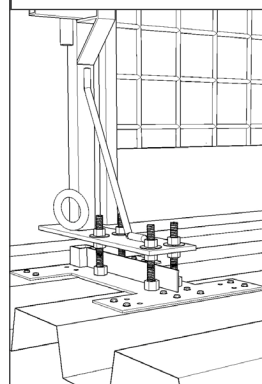
the PARAPET insert



the EMBED

The EMBED steel deck attachment plate is designed specifically for composite slab construction. It is suitable for steel deck 22 GA or thicker, and for the various common deck profiles, including 1 1/2", 2" and 3" composite deck.

The EMBED plate is attached to the deck with self-drilling screws. The EDGE7 posts are then secured to the plate. The EDGE7 system is in place to protect from this point on. After the concrete is poured and cured, the tie-off ring is available for use.



coming soon - the CLAMP

The EDGE7 CLAMP makes quick work of attaching to a slab edge. It is robust but light weight and easy to handle. The CLAMP is tightened at the top with a common wrench - no special tools needed. A convenient handle is provided for ease of installation. The CLAMP has an accompanying dedicated post. Accommodates slabs from 4" - 12". Can be used with standard EDGE7 fixed and adjustable fence panels.

