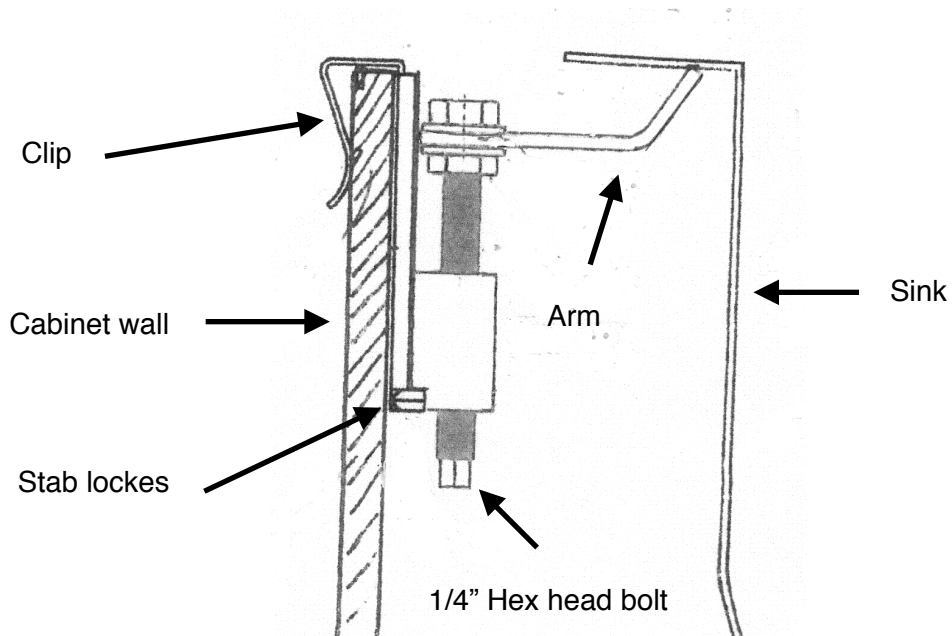


Super Fast Sink Bracket instructions

1. Install open end of clip over cabinet side wall. Hammer down until flush with top of cabinet.
2. Hammer in two stab locks located at the bottom of the bracket. No additional fasteners are needed to mount the bracket.
3. Adjust the rotating arms to engage the sink.
4. Position the sink onto arms of the brackets.
5. Next install countertop.
6. Place sink adhesive on rim of sink where space is provided.
7. Using a 1/4" socket screw hex head bolt upward until the sink meets with the countertop. Arm should bend slightly pre-tensioning the bracket.



Warning: The Super Fast Sink Bracket is intended for cabinet sidewalls 3/8" to 5/8" thickness. For proper mounting of a sink four brackets are recommended. Over tightening may cause damage to bracket, countertop or cabinet.