



## DOOR INSTALLATION INSTRUCTIONS SERIES 1000

800006-0000



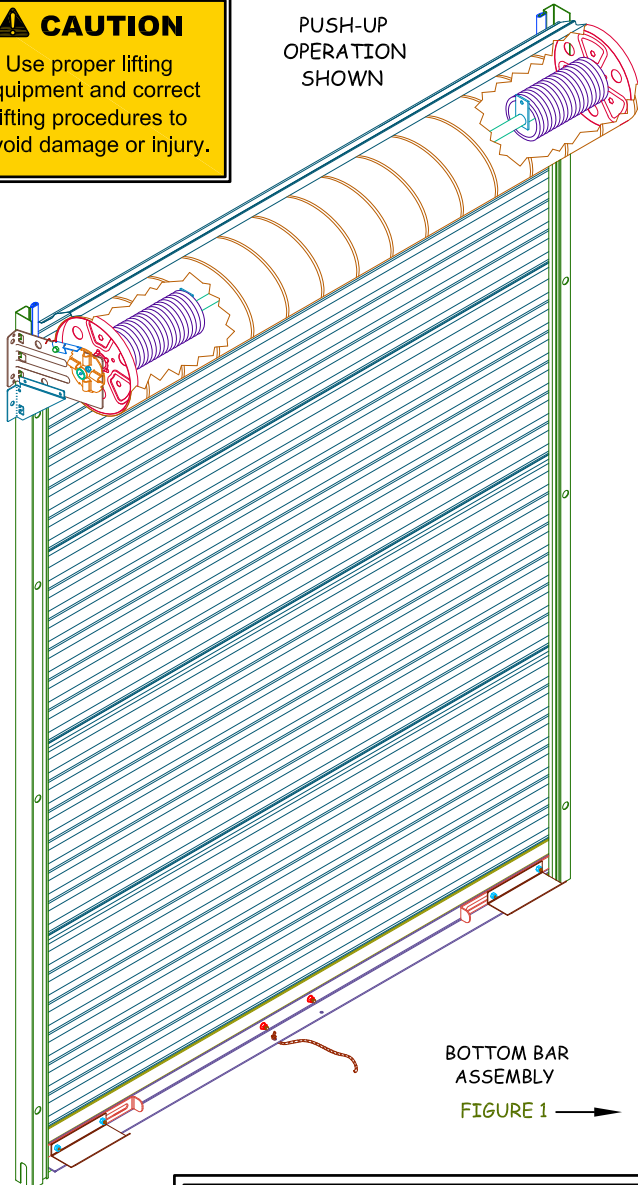
### WARNING

A rolling door is a large heavy object that moves with the help of springs under extreme tension. Moving objects and springs under tension can cause serious injuries or death. For your safety and the safety of others, follow these instructions.

### CAUTION

Use proper lifting equipment and correct lifting procedures to avoid damage or injury.

PUSH-UP  
OPERATION  
SHOWN

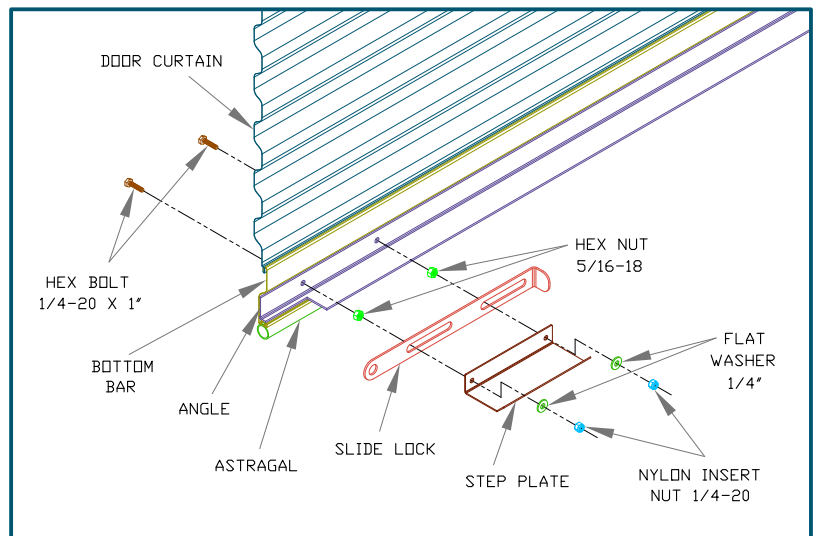


BOTTOM BAR  
ASSEMBLY  
FIGURE 1

| POTENTIAL HAZARD           | EFFECT                            | PREVENTION   |
|----------------------------|-----------------------------------|--|
| <br>MOVING DOOR            | CAN CAUSE SERIOUS INJURY OR DEATH | DO NOT stand or walk under moving door. Keep door in full view and free of obstructions while operating.<br><br>DO NOT allow children to operate the door or door controls.                            |
| <br>ELECTRIC SHOCK         | CAN CAUSE SERIOUS BURNS OR DEATH  | Turn off electrical power before removing operator cover. Operator must be electrically grounded.  |
| <br>EXTREME SPRING TENSION | CAN CAUSE SERIOUS INJURY OR DEATH | Installation, repairs and adjustments must be made by a trained rolling service door systems technician using proper tools and instructions.<br><br>DOOR MUST BE FULLY OPENED WHEN MAKING ADJUSTMENTS. |

TABLE 1: Wall Fasteners for jamb attachment of Brackets and Guides

| ITEM     | JAMB                     | FASTENERS                       | DRILL SIZE   |
|----------|--------------------------|---------------------------------|--------------|
| Brackets | Steel                    | 1/4-14 x 1" TEKS Screw          | None         |
|          | Concrete or Filled Block | 3/8" x 1-3/4" Powers Wedge-Bolt | Powers 01316 |
|          | Wood                     | 3/8-7 x 3" Lag Screw            | None         |
| Guides   | Steel                    | 1/4-14 x 1" TEKS Screw          | None         |
|          | Concrete or Filled Block | 1/4" x 1-3/4" Powers Wedge-Bolt | Powers 01314 |
|          | Wood                     | 3/8-7 x 3" Lag Screw            | None         |



**IMPORTANT NOTE:** Do not cut tape and plastic wrap that holds the door in a roll until you are directed to do so in step 6B. Janus International Corp. cannot guarantee or accept responsibility for doors that are not installed as directed. Please read and understand all instructions before beginning the installation process.