



UTV / ATV Wheel Stand Kit (UF-2500EH-X)

WHLSTDKIT-UF2500EH-X



2,500 lb. Total Support Capacity (4ea)
(625 lb. Capacity Per Stand)

Assembly / Operation Instructions

Safety Information:

- **DO NOT OVERLOAD WHEEL STANDS.** THE CAPACITY OF EACH WHEEL STAND IS SHOWN ON COVER OF THIS DOCUMENT AND/OR ON THE SIDE OF WHEEL STANDS.
- **POSITIONING THE VEHICLE IS VERY IMPORTANT.** ONLY TRAINED TECHNICIANS SHOULD POSITION THE VEHICLE ON WHEEL STANDS.
- **ALWAYS INSERT ALL LOCK PINS TO STAND PILLARS,** TO SECURE STAND HEIGHT IN PLACE.
- **AVOID EXCESSIVE ROCKING** OF THE VEHICLE WHEN SUPPORTED ON LIFT OR WHEEL STANDS.
- **ONLY USE ON A FLAT LEVEL CONCRETE SURFACE** WITH A RECOMMENDED MINIMUM THICKNESS OF 4+. **NOT RECOMMENDED FOR USE ON AN ASPHALT SURFACE.**
- **MAINTAIN A SAFE DISTANCE** FROM LIFT & WHEEL STANDS WHEN LOADING OR UNLOADING. POWER SPORT VEHICLES ON OR OFF WHEEL STANDS OR LIFT.
- **UNAUTHORIZED PERSONNEL SHOULD NEVER BE IN THE SHOP AREA** WHEN WHEEL STANDS OR LIFT ARE IN USE.
- **INSPECT THE WHEEL STANDS DAILY. THE WHEEL STANDS SHOULD NEVER BE USED IF THEY HAVE DAMAGED COMPONENTS OR IF MALFUNCTIONING.** ONLY QUALIFIED TECHNICIANS SHOULD SERVICE THE WHEEL STANDS.
- **REPLACE DAMAGED COMPONENTS** WITH MANUFACTURER'S PARTS, OR EQUIVALENT.
- **KEEP THE AREA AROUND THE WHEEL STANDS CLEAR OF OBSTACLES.**

Specifications:

Product Model	WHLSTDKIT-UF2500EH-X
Total Capacity	2,500 lbs.
Capacity Per Stand	625 lbs.
Adjustable Heights	24.4" - 42"
Locking Positions	5ea
Wheel Platform Size	19.6"L x 13.8"W
Ship Weight	375 lbs.

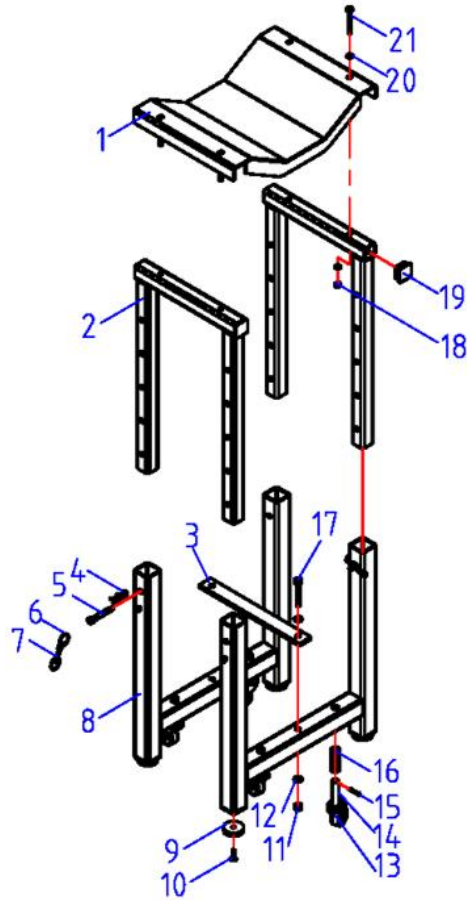
Assembly: (Note: Some components may already be pre-assembled.)

1. Carefully remove items from shipping crate to ensure all parts are included using the Exploded Drawing & Parts List. Contact the Dealer for any missing or damaged parts.
2. Insert upper Tube Frames (#2) into lower Tube Frames (#8) as shown in Exploded Drawing.
3. Connect Cross Brace (#3) to lower Tube Frames, using the hardware provided (#11,12 & 14).
4. Place Wheel Platform (#1) on top of upper Tube Frames & secure with hardware provided (#18, 20 & 21) as shown in Exploded Drawings.
5. If applies, install Plastic Caps (#19) to ends of upper Tube Frames.
6. Check for any loose connections, tighten bolts & nuts as required.

Operation:

- Using the UF-2500EH-X Lift, raise the power sport vehicle to the desired working height and lower onto mechanical latches, using the Operational & Safety procedures noted in the UF-2500EH-X Manual.
- Once the power sport vehicle is secured at the desired lifting height, remove all Cotter & Lock Pins to **adjust Wheel Stands heights to be slightly lower than the wheels.**
- Ensuring the adjusted height is the same for all Stands, **insert ALL Lock & Cotter Pins for each Pillar** to secure Wheel Platforms in place.
- Position & center the Wheel Stands directly under the vehicle wheels, then lower the UF-2500EH-X Lift until the Wheel Stands fully supports vehicle's weight. **Check for vehicle stability on Stands.**
- Reverse the above operation to place vehicle's weight back on UF-2500EH-X Lift, to remove Wheel Stands from under Power Sport Vehicle. **Remove Stands prior to lowering vehicle with Lift.**

Exploded Drawing & Parts List



ITEM	TUX P/N	M-Ref P/N	DESCRIPTION	QTY
1	WHLSTDKIT-UF2500-001	JP26-03000-FJ1	Wheel Platform	1
2	WHLSTDKIT-UF2500-002	JP26-02000-FJ1	Upper, Tube Frame	2
3	WHLSTDKIT-UF2500-003	JP26-00002-FJ1	Cross Brace, Flat Bar	1
4	WHLSTDKIT-UF2500-004	JP24-00018-000	Cotter Pin	4
5	WHLSTDKIT-UF2500-005	JP26-00001-FJ1	Lock Pin	4
6	WHLSTDKIT-UF2500-006	JP26-00008-FJ1	Pin Ring	8
7	WHLSTDKIT-UF2500-007	JP26-00007-FJ1	Chain, Lock Pin	4
8	WHLSTDKIT-UF2500-008	JP26-01000-FJ1	Lower, Tube Frame	2
9	WHLSTDKIT-UF2500-009	JP26-00005-FJ1	Foot Pad	4
10	WHLSTDKIT-UF2500-010	5120-08016-000	Screw, M8 x 16mm	4
11	WHLSTDKIT-UF2500-011	5206-00010-000	Lock Nut, M10	2
12	WHLSTDKIT-UF2500-012	5302-00010-000	Flat Washer, D10	4
13	WHLSTDKIT-UF2500-013	JP26-00006-FJ1	Caster Wheel	4
14	WHLSTDKIT-UF2500-014	JP26-00003-FJ1	Wheel Extension Pin	4
15	WHLSTDKIT-UF2500-015	5404-04030-000	Split Pin, D4 x 30mm	4
16	WHLSTDKIT-UF2500-016	JP26-00004-FJ1	Spring	4
17	WHLSTDKIT-UF2500-017	5101-10070-000	Bolt, M10 x 70mm	2
18	WHLSTDKIT-UF2500-018	5206-00008-000	Locknut, M8	4
19	WHLSTDKIT-UF2500-019	JP26-00009-FJ1	Plastic Cap	4
20	WHLSTDKIT-UF2500-020	5302-00008-000	Flat Washer, D8	8
21	WHLSTDKIT-UF2500-021	5118-08055-000	Bolt, M8 x 55mm	4

LIMITED WARRANTY

Structural Warranty:

The following parts and structural components carry a five year warranty:

Columns	Arms	Uprights	Swivel Pins
Legs	Carriages	Overhead Beam	
Tracks	Cross Rails	Top Rail Beam	

Limited One-Year Warranty:

Tuxedo Distributors, LLC (iDEAL) offers a limited one-year warranty to the original purchaser of Lifts and Wheel Service equipment in the United States and Canada. Tuxedo will replace, without charge, any part found defective in materials or workmanship under normal use, for a period of one year after purchase. The purchaser is responsible for all shipping charges. This warranty does not apply to equipment that has been improperly installed or altered or that has not been operated or maintained according to specifications.

Other Limitations:

This warranty does not cover:

1. Parts needed for normal maintenance
2. Wear parts, including but not limited to cables, slider blocks, chains, rubber pads and pulleys
3. Replacement of lift and tire changer cylinders after the first 30 days. A seal kit and installation instructions will be sent for repairs thereafter.
4. On-site labor

Upon receipt, the customer must visually inspect the equipment for any potential freight damage before signing clear on the shipping receipt. Freight damage is not considered a warranty issue and therefore must be noted for any potential recovery with the shipping company.

The customer is required to notify Tuxedo of any missing parts within 72 hours. Timely notification must be received to be covered under warranty.

Tuxedo will replace any defective part under warranty at no charge as soon as such parts become available from the manufacturer. No guarantee is given as to the immediate availability of replacement parts.

Tuxedo reserves the right to make improvements and/or design changes to its lifts without any obligation to previously sold, assembled, or fabricated equipment.

There is no other express warranty on the Tuxedo lifts and this warranty is exclusive of and in lieu of all other warranties, expressed or implied, including all warranties of merchantability and fitness for a particular purpose.

To the fullest extent allowed by law, Tuxedo shall not be liable for loss of use, cost of cover, lost profits, inconvenience, lost time, commercial loss or other incidental or consequential damages.

This Limited Warranty is granted to the original purchaser only and is not transferable or assignable.

Some states do not allow exclusion or limitation of consequential damages or how long an implied warranty lasts, so the above limitations and exclusions may not apply. This warranty gives you specific legal rights and you may have other rights, which may vary from state to state.

1905 N Main St Suite C, Cleburne, TX 76033

Ph 817-558-9337 / Fax 817-558-9740