

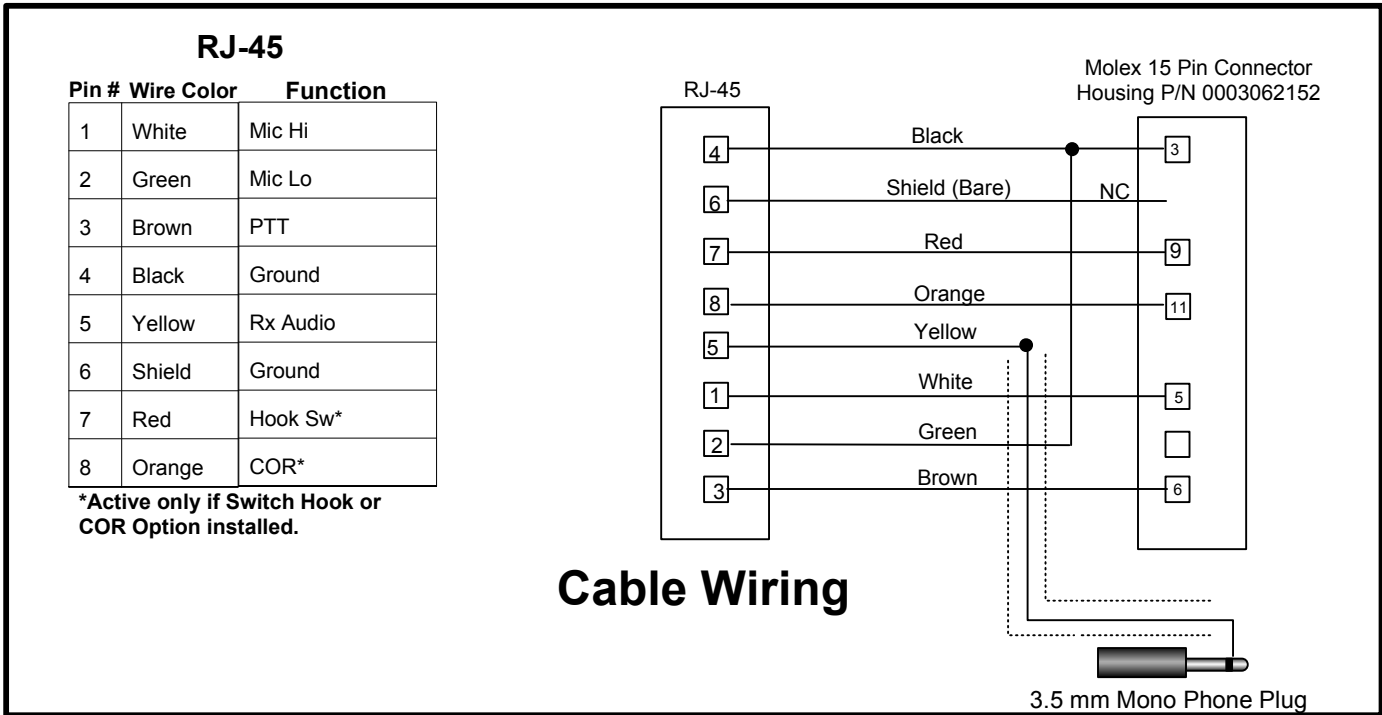
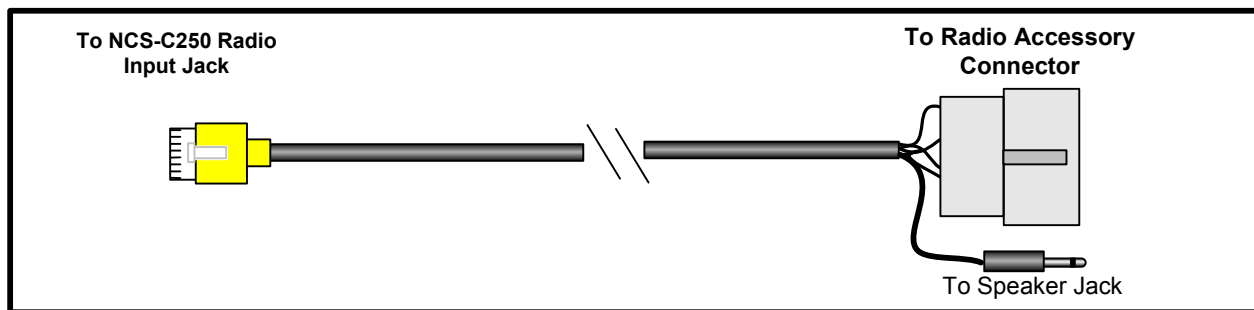
Radio Interface Cable

For NCS-C250 Mobile Multi-Switcher

NCS Model Number
NCS-250-KHA-XX

Compatible Radios:

- TK-7160
- TK-8160



Note:

1. Radio must have the Kenwood KCT-39 Accessory Cable installed in order to interface to the NCS-250-KHA-XX cable.
2. Note the following pins must be programmed on the KCT-39 Accessory connector using the KPG-99 software:
 - Pin 6 (FNC4) = PTT
 - Pin 9 (FNC8) = Hook Switch
 - Pin 11 (FNC7) = COR