

+ Add to



Edit & C



+ Add to



Edit & C



+ Add to



Edit & C



zoom_0

0:31:29

0:38:42















STAR DECALS

1/35 35-C 1056

www.star-decals.net

vet transfers

SOVIET and RUSSIAN

Naval Infantry 3

МОДНАГО РЕКОТА



Fire Support Vehicles

289 Anona · 2823 Nona SVK
281 122mm Howitzer · MT-LB 6MB
MT-LB (28U-23) · SA-13 Gopher

35-C1056

B SA-13 Gopher - 8435

Unit not known

- Dark Green base



C SA-13 Gopher - 8435

3208 Naval Guard Brigade, Baltic Fleet

- Dark Green base
- Black
- Yellow



D MT-LB with 28U-23 gun

Unknown Naval Infantry unit Chekya

- Dark Green base
- Black (sprayed)



A 2823 Nona SVK

100th Marine Brigade, Pacific Fleet, Vladivostok

- Dark Green base
- Dark Gray (sprayed)
- Light Gray (sprayed)



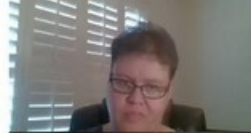
E MT-LB 6MB

Unit not known

- Dark Green base
- Green Yellow
- Black





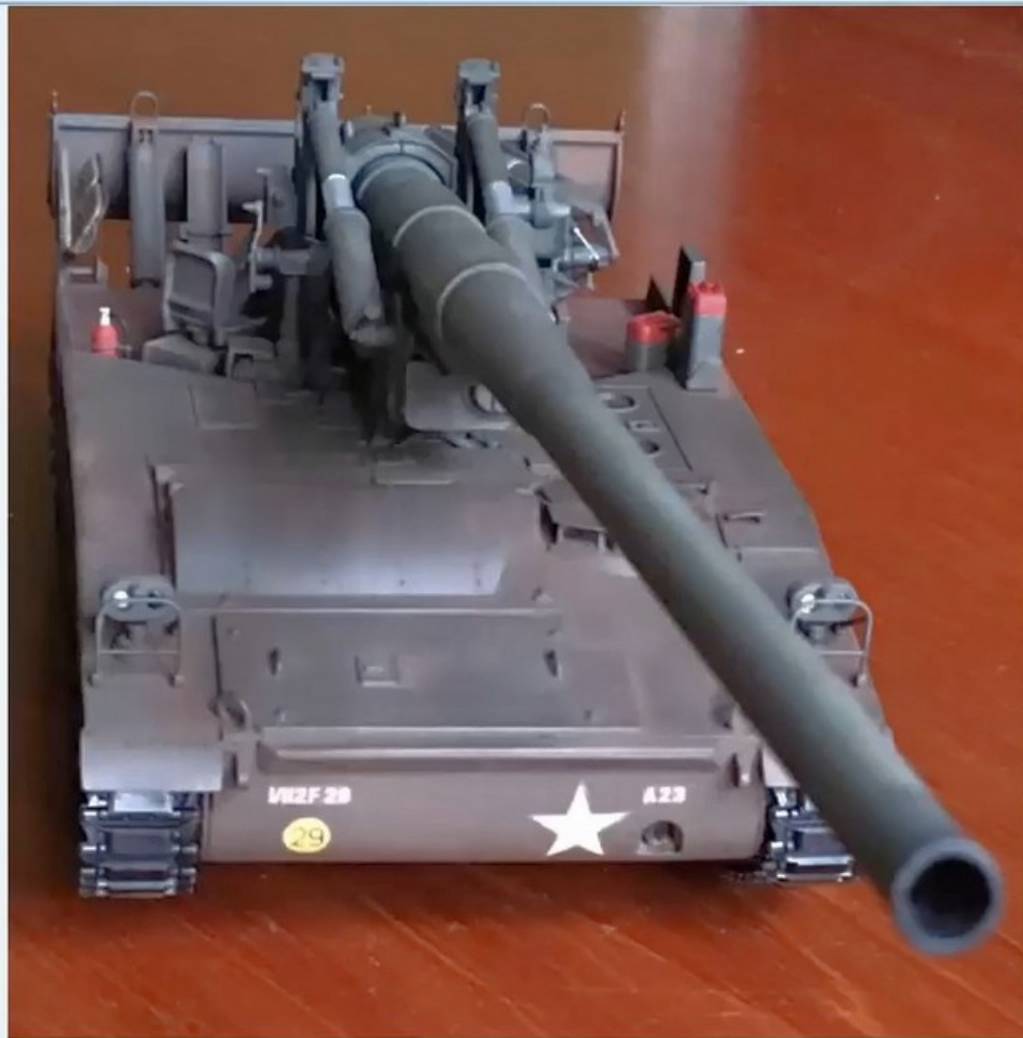













Association for Supply Chain Management

Board of Directors has conferred upon

Trevor Edwards, CPIM

the designation of

Certified in Production and Inventory Management

*For successfully passing a rigorous examination process
based on industry standards guided by the APICS Certification Committee on*

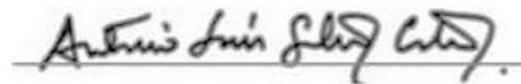
04 September 2020

expires

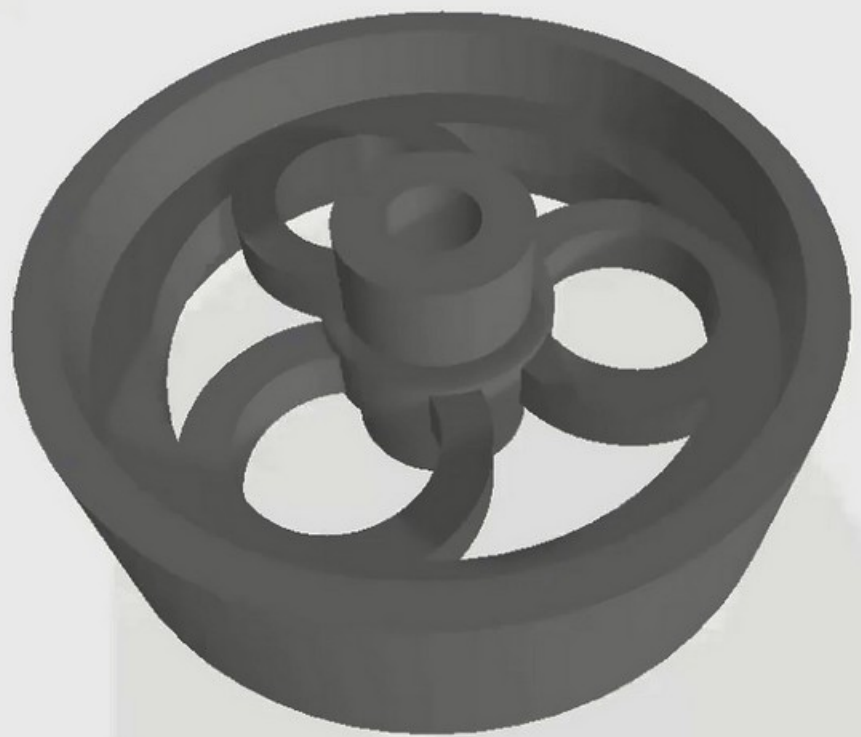
30 September 2025



Abe Eshkenazi, CSCP, CPA, CAE
ASCM Chief Executive Officer



Antonio Galvao Costa, CSCP, CLTD, CTL
Chair, 2020 ASCM Board of Directors





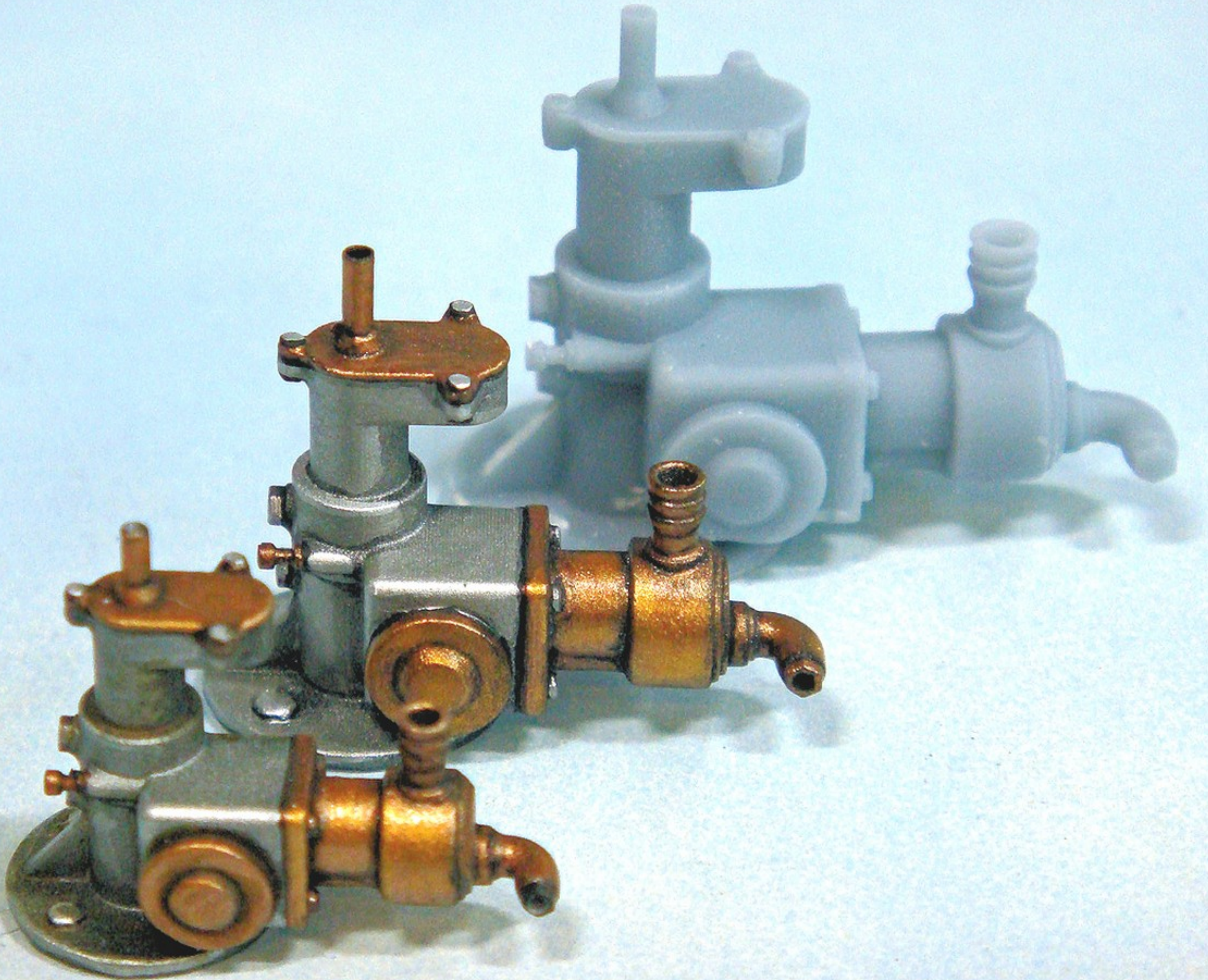


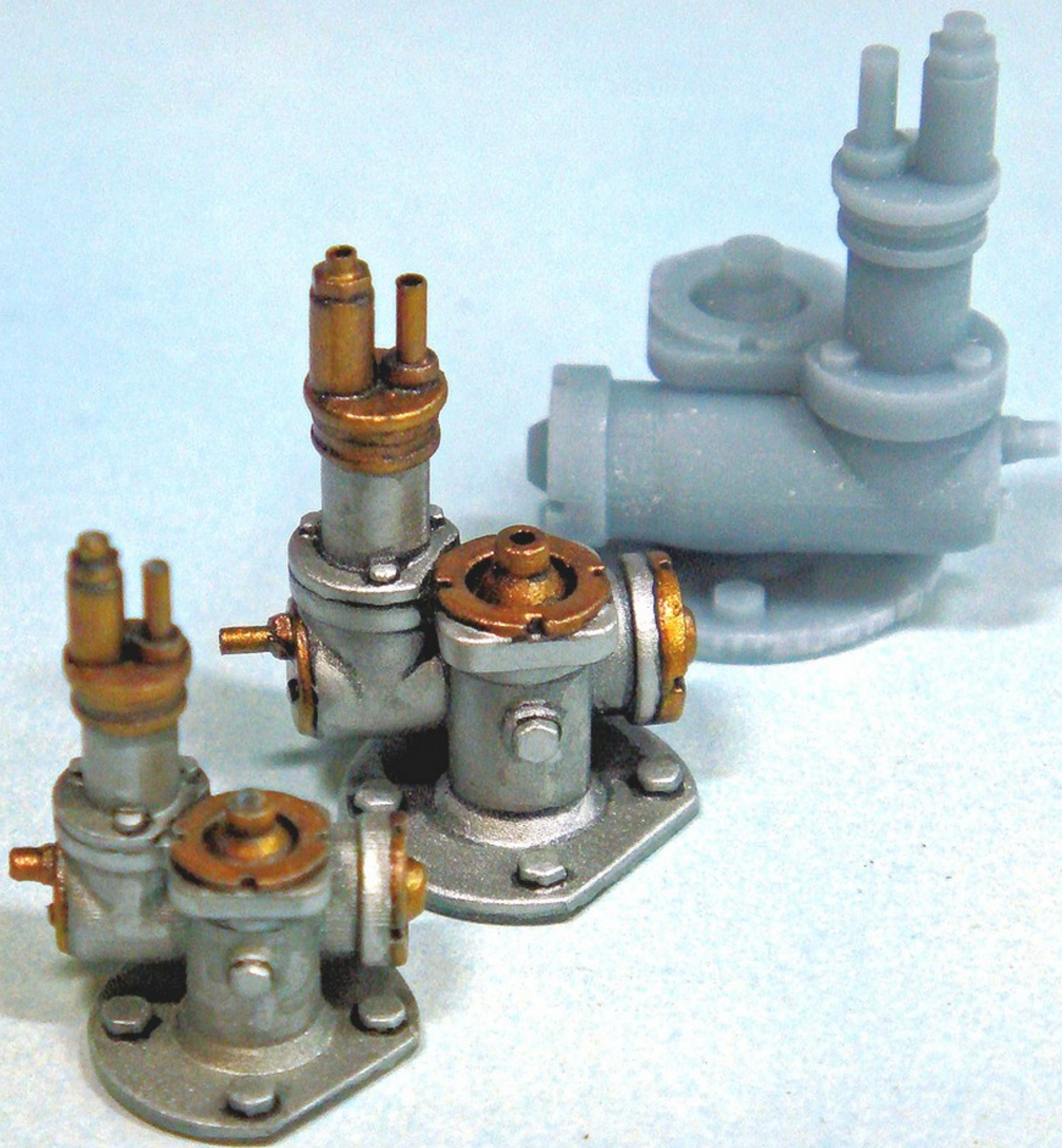


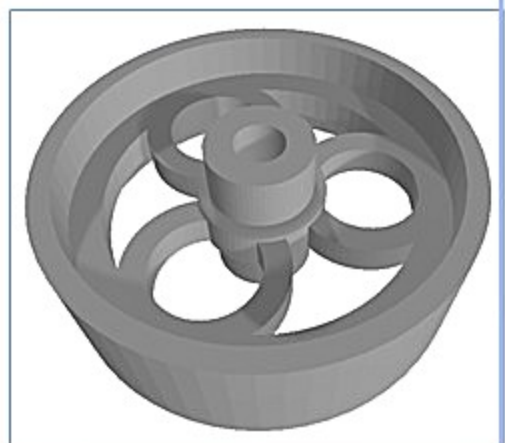
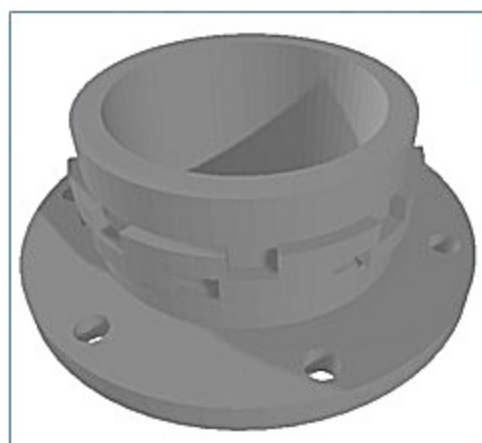
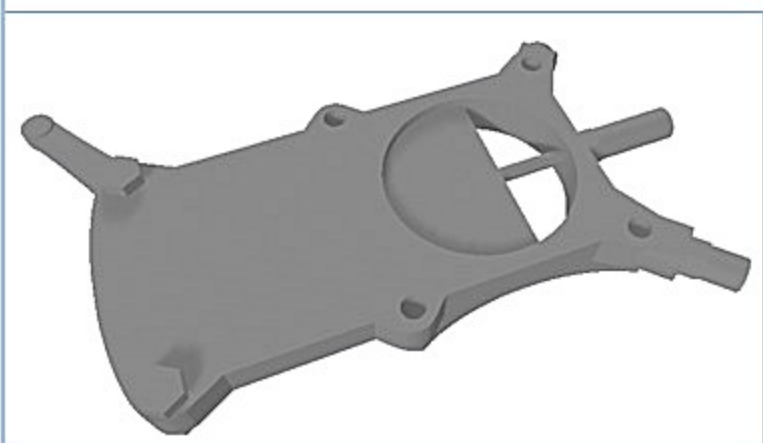
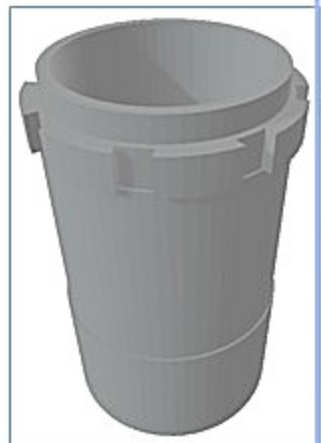
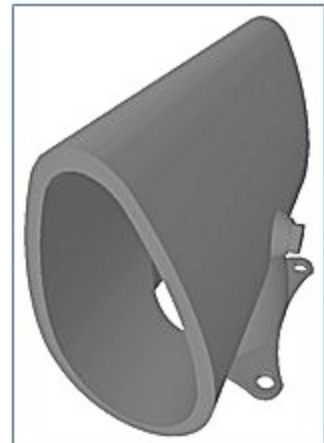
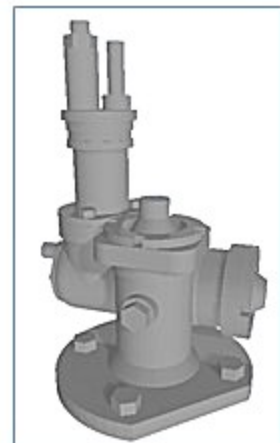
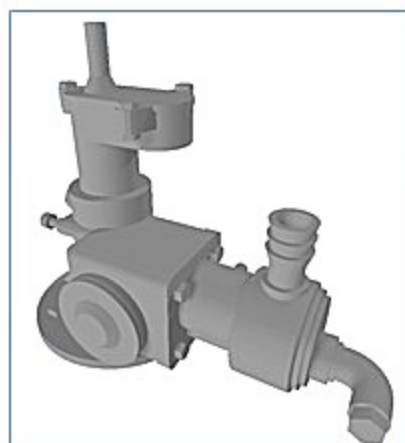
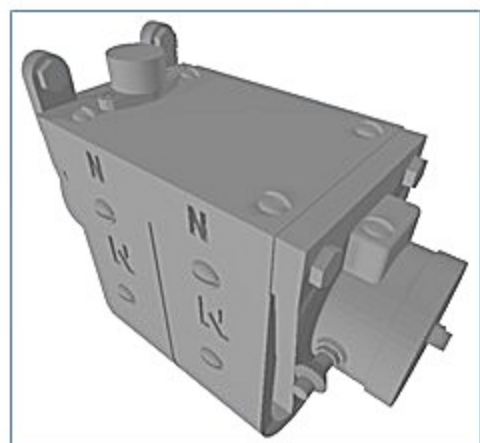
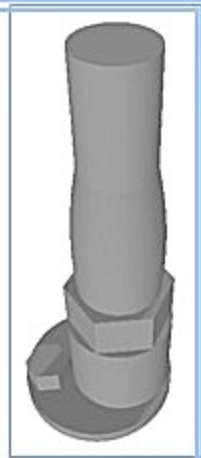
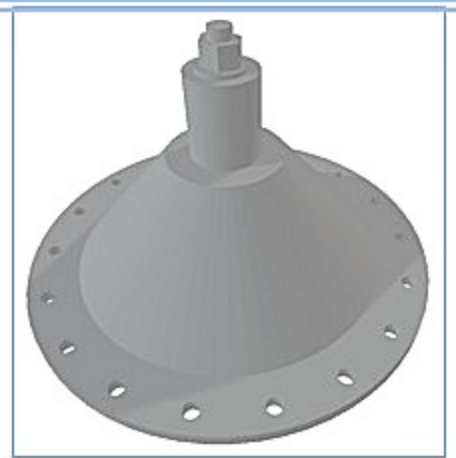
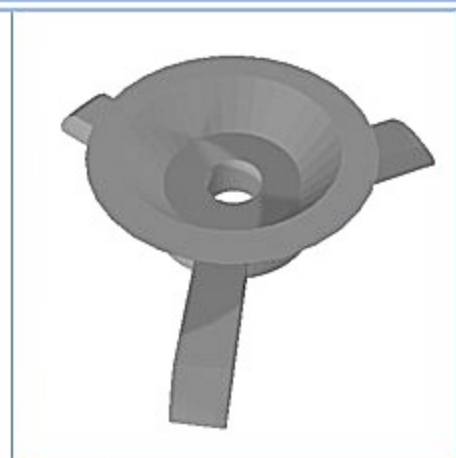
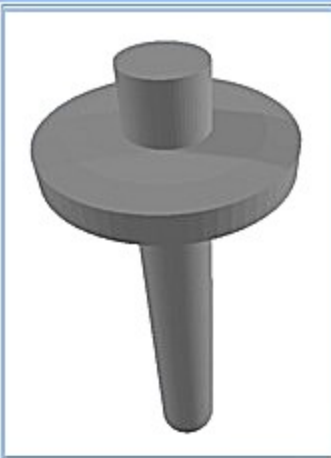


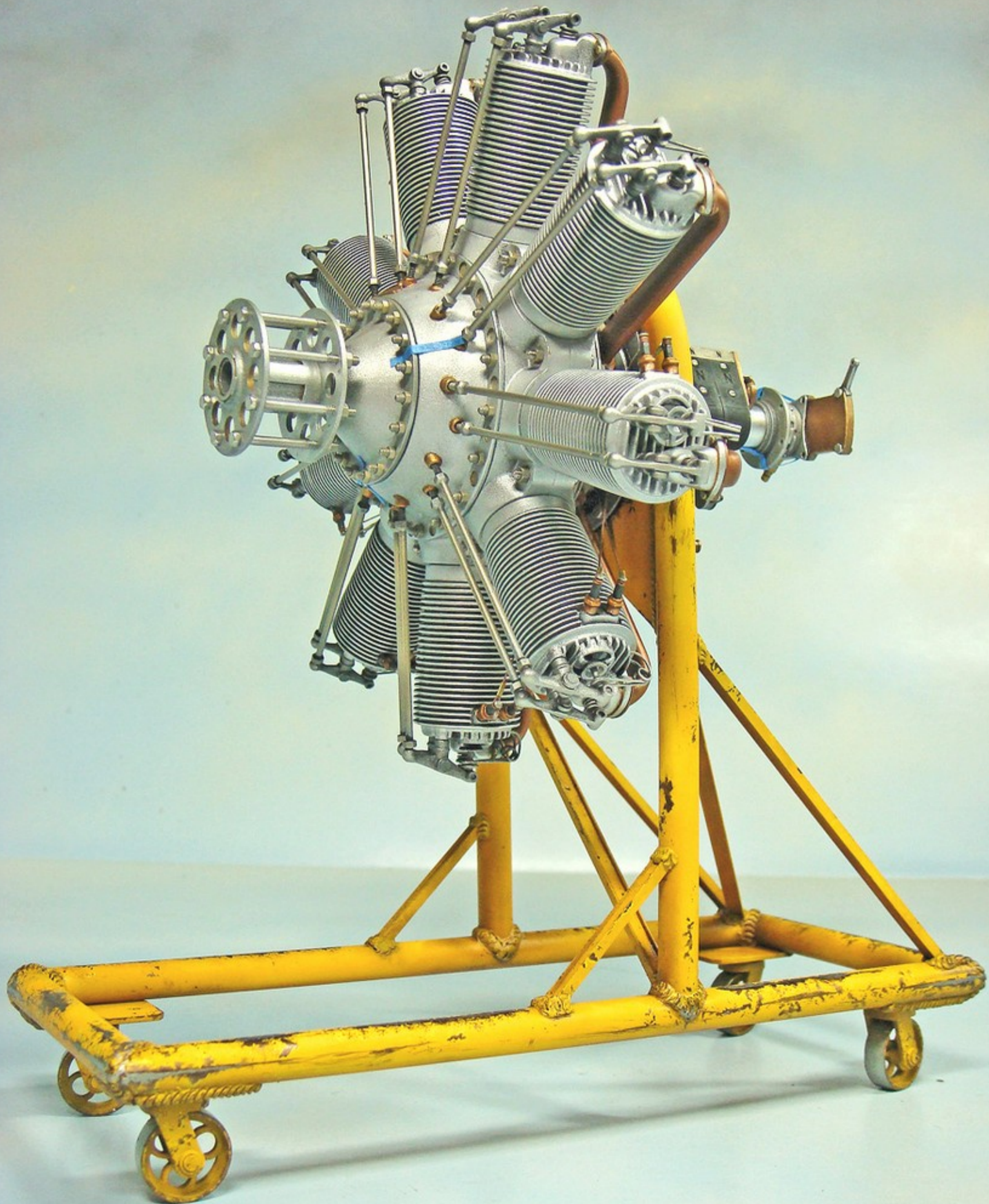


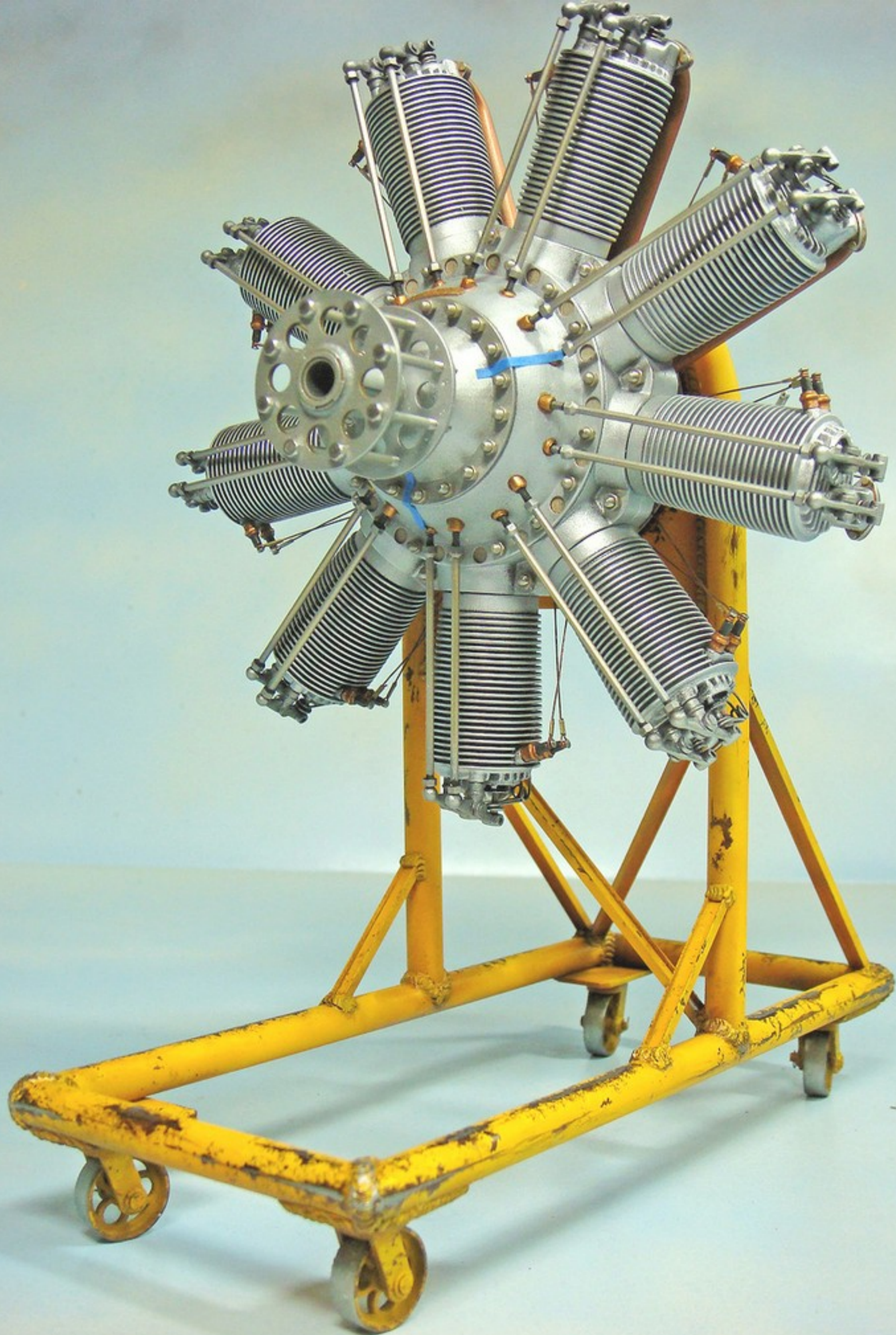


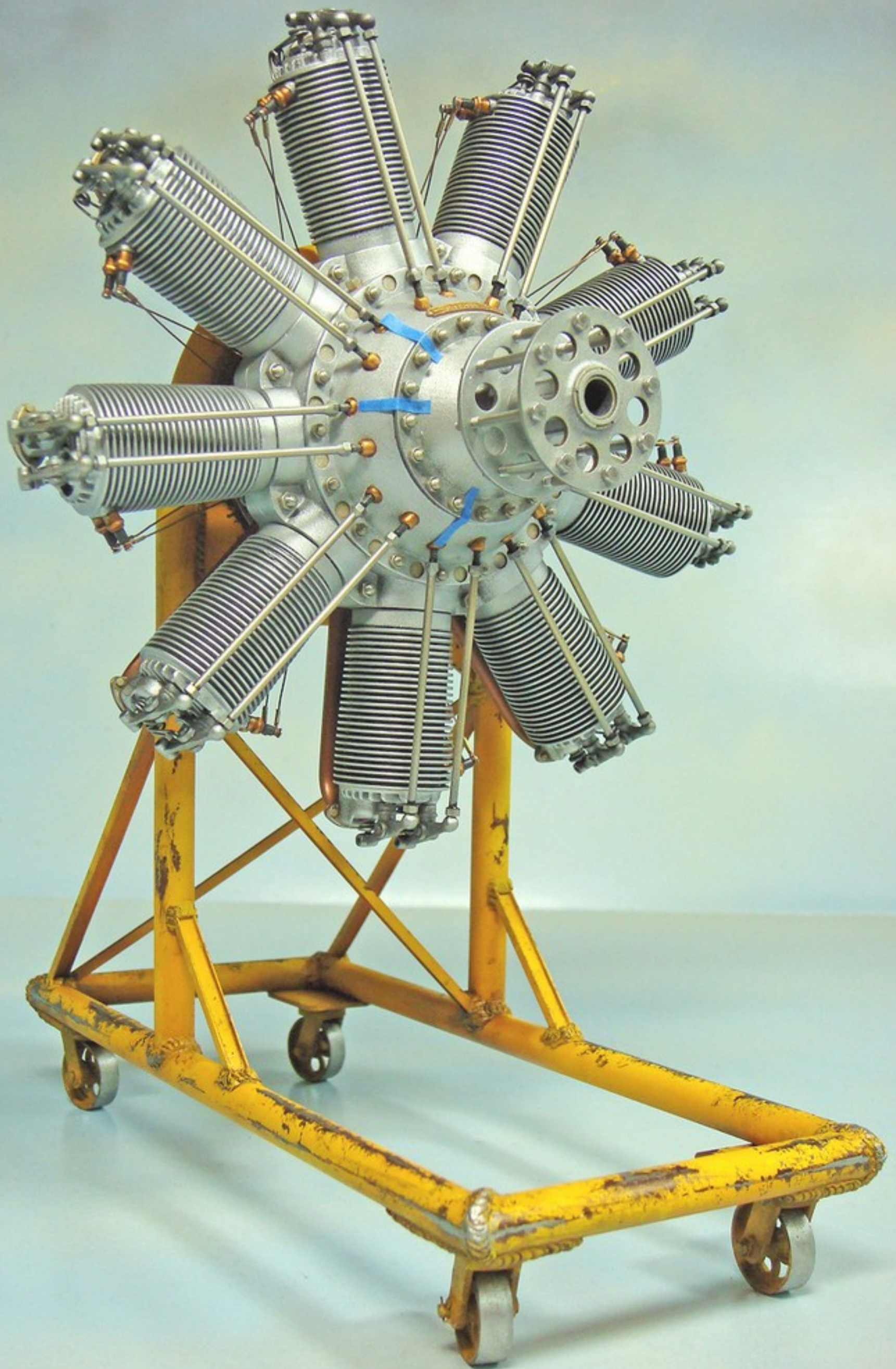




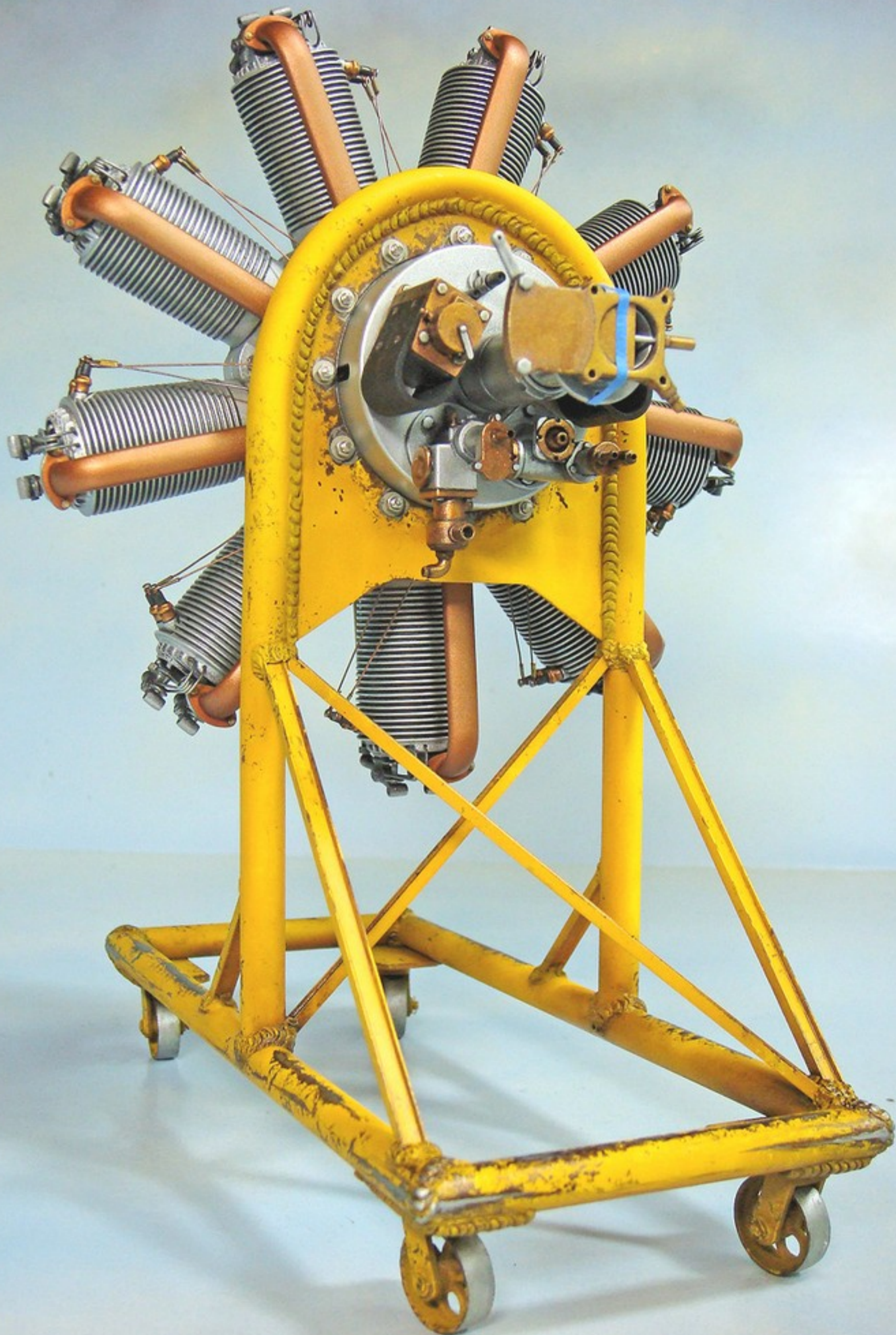












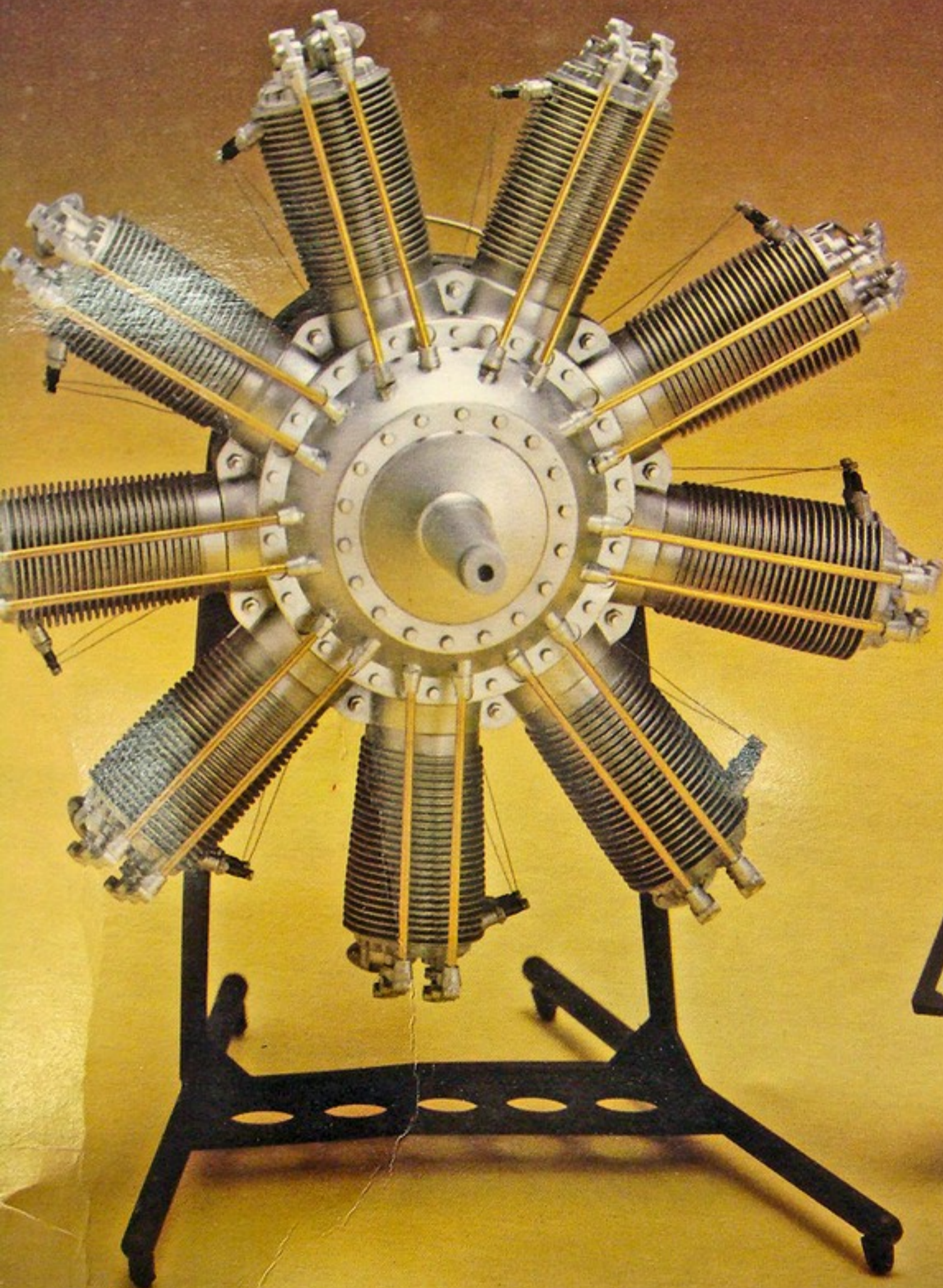


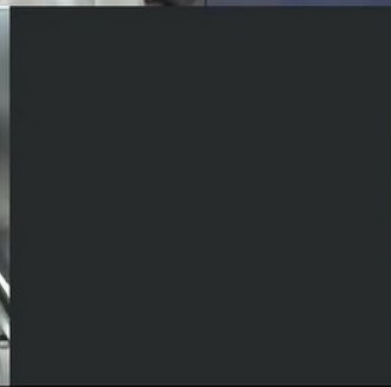
CLERGET

Rotary Engine



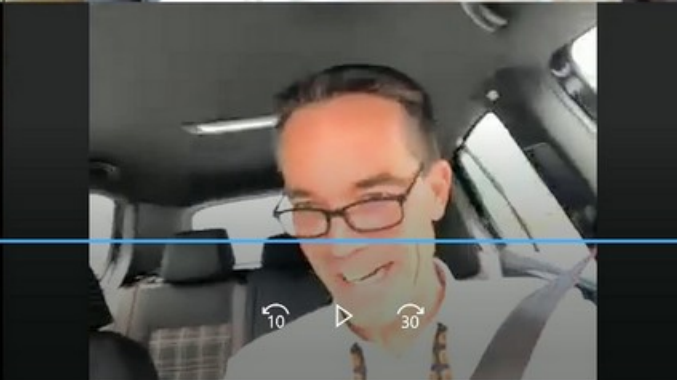
1/8th Scale











0:56:02



0:14:09











09SEP20 Meeting:

[Virtual meeting using Zoom due to Covid-19; run by Ralph Nardone, with 8 other club members participating.

1. Leopard 1 A4 (ESCI + scratch-built details), 1/72 – Jeff Nelson
2. M5 High Speed Tractor (Commander Models Resin kit), 1/35 – Carl Wethington
3. M54A2 5-Ton 6X6 Cargo Truck (AFV Club + a LOT of scratch-built details), 1/35 – Carl Wethington [no pictures]
4. Iranian Chieftain Mk 5/P (Export Version) (Takom + Fruel Tracks), 1/35 – Dave Varettoni
5. T-64 BV Mod 1985 Ukraine (Trumpeter + ?), 1/35 – Dave Varettoni
6. M107 8 inch US Self Propelled Gun (Italeri + some PE, Vallejo paints), 1/35 – Dave Cicimurri
7. French VBCI “Afghanistan” (Armored Infantry Fighting Vehicle) (Heller), 1/35 – Dave Cicimurri [no pictures]
8. “Certified in Production and Inventory Management (Association for Supply Chain Management), 1/1 – Trevor Edwards
9. Cast Iron Castors for French Clerge 9B Engine Stand (3D Designed & Printed), 1/9 – Mike Roof
10. French Clerge 9B Engine Stand (3D Printed parts + scratch-built styrene tubing, angle & sheet), 1/9 – Mike Roof
11. Sd.Kfz.182 King Tiger, Henschel Turret (Tamiya 35160, Cavalier Zimmerit, partial Verlinden Interior, Aber PE), 1/35 – John Sherrer [no pictures, since John was DRIVING while Zooming!]
12. Diorama “Black Rain” (?), 1/35 – Daniel Buchmeier (sent in via e-mail after the Zoom meeting)
13. More Bolt Action Game, (i.e.; a good old butt-kicking) – Dave Neuman (sent in via e-mail after the Zoom meeting)

Raffle: None this month, not even a virtual one.