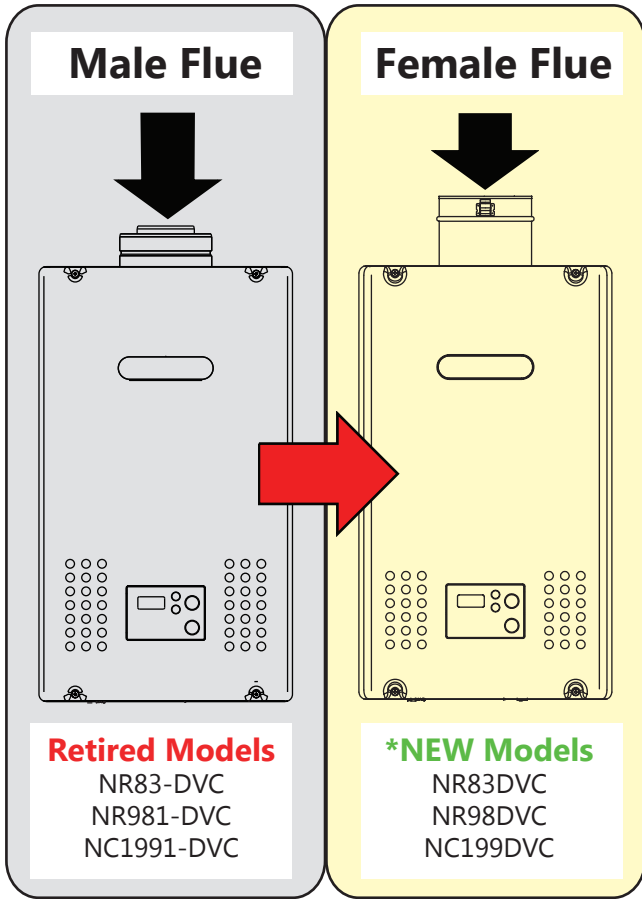


NEW PRODUCT ANNOUNCEMENT

DVC TERMINATIONS (FEMALE END)

RETIRED

NEW



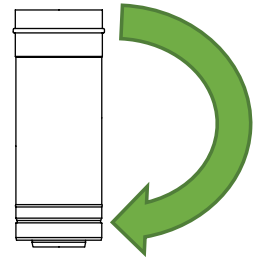
**New Trade Names*

The flue of all NEW DVC models have been changed to prevent condensate leakage where long vent runs are applied

With this change on the DVC model's flue, the vent direction will be opposite from before

All existing DVC adjustable, straight and elbows will remain the same

Only DVC termination vent pieces will change

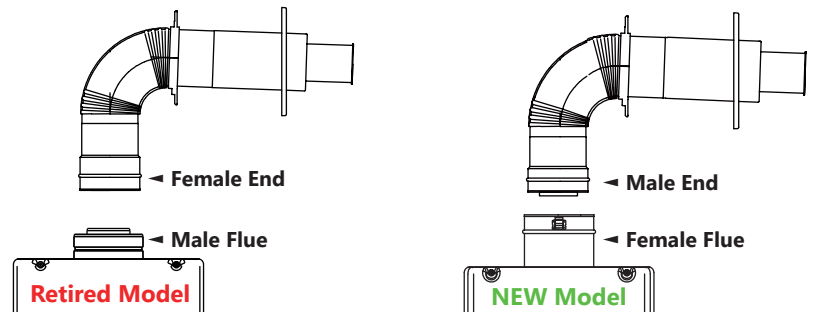


Retired and New Venting

Retired	*NEW
CVH-H	CVH-H-F
CVK-H2	CVK-H2-F
CWF	CWF-F
CVK-SNRK	CVK-SNRK-F
CRCAI-1	CRCAI-1-F
CVK-V-1	CVK-V-1-F

**(-F) at the end of the part number is designated for (Female Flue Models)*

Example of Difference (CVK-H & CVK-H-F)



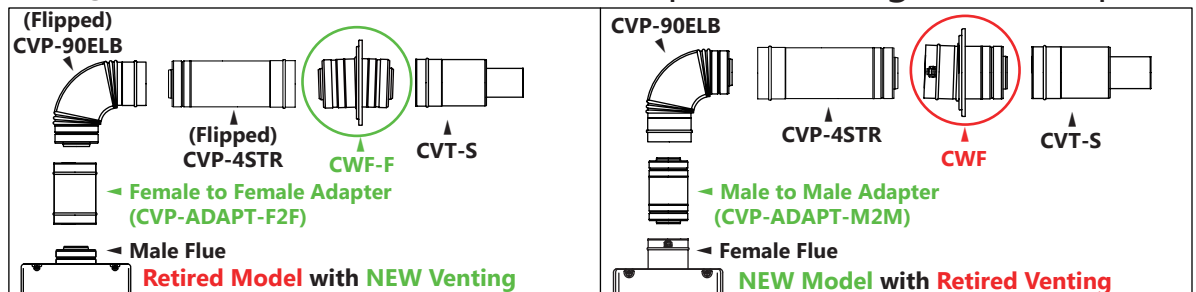
New Vent Adapters

Returns of either **Retired Models** or **Venting** **WILL NOT** be necessary with these adapters

NEW Adapters
CVP-ADAPT-M2M
CVP-ADAPT-F2F

The purpose of these new adapters are to complete the vent run where the installer has a **Retired Model** and is using **New Venting** as well as a **New Model** with **Retired Venting**

Examples of Using Both Adapters



Now Available