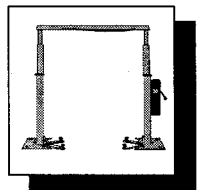




Lift Repair Catalog

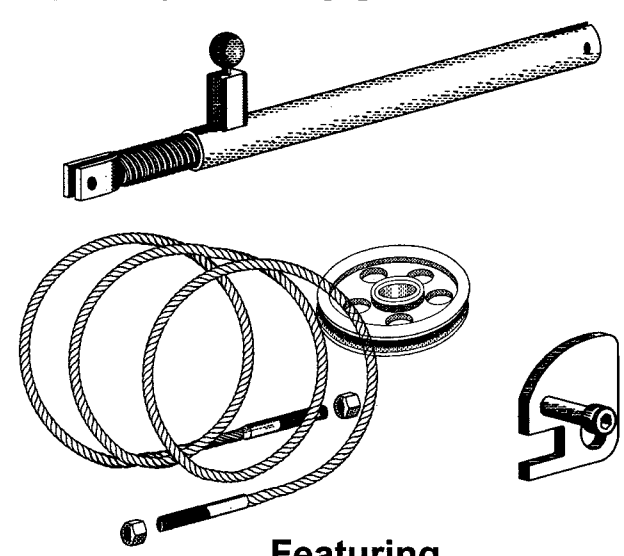
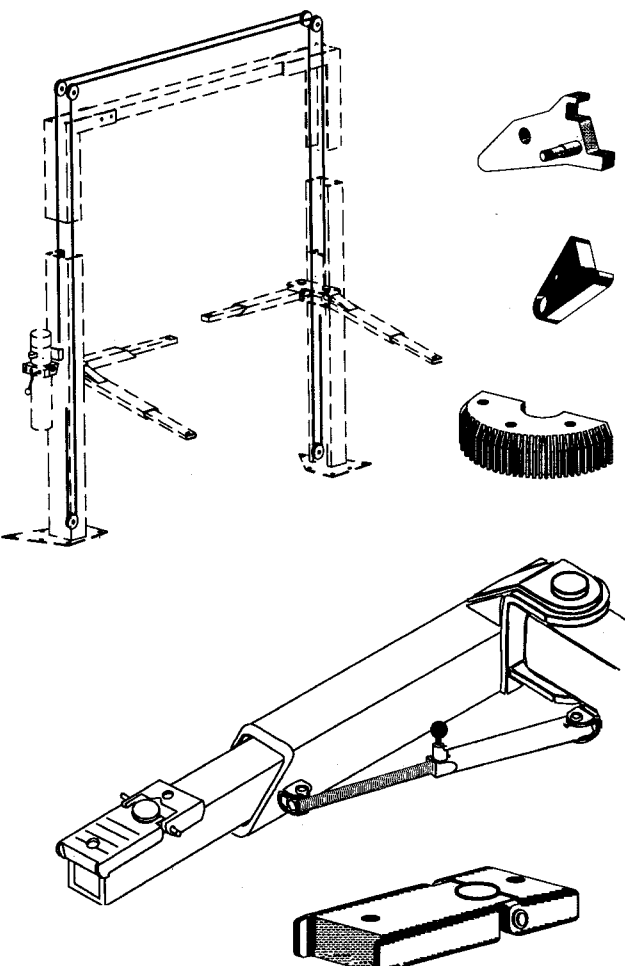


LRC7500G

S V I International, Inc. - Lift Repair Parts

September 2000

For Rotary Surface-Mount Lifts



Featuring

- Replacement Cable Assemblies
- Cable Sheaves
- Cable/Sheave Kits
- Arm Restraints
- Slider/Bearing Blocks
- Cylinders and Seal Kits
- Hydraulic Hoses
- Safety Latch Components

Two Post Repair Parts Pages 2 - 14

Four Post Repair Parts Pages 15 - 16

Call for anything else not listed including Low Rise Tire Changer units.

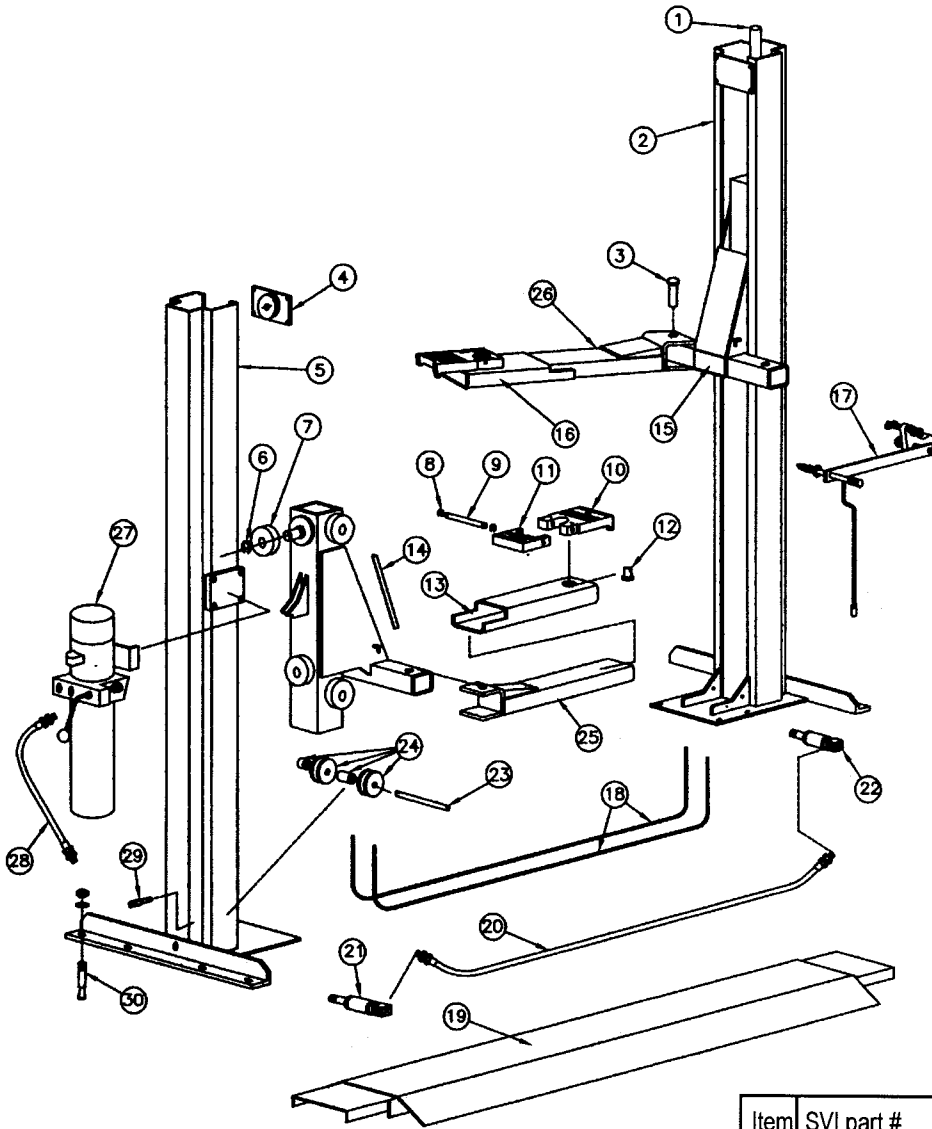
Entire Contents Copyright © SVI International, Inc. 2000

To Order Call: 800 321-8173 or 630-365-9250 / Fax: 800-899-1784 or 630-365-2809

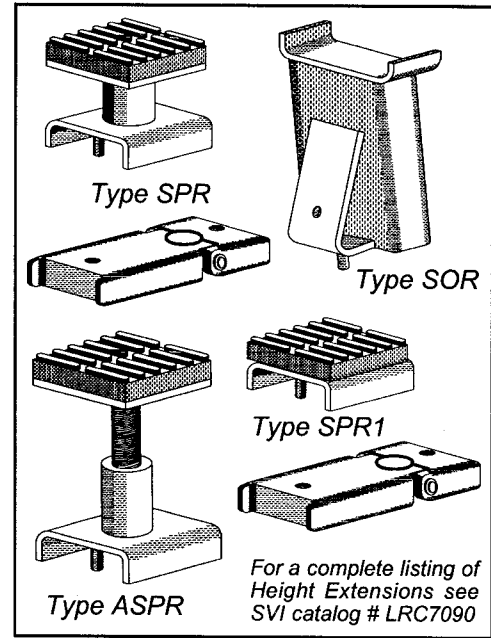
All names, numbers, symbols and descriptions are used for reference purposes only. It is not implied that any part listed is the product of these manufacturers, however, some parts may be the actual product of these manufacturers.

Parts for ROTARY 2 Post Surface-Mount Lifts

for Lift Model SP55



Height Extensions



Note: side rollers are no longer available. Replace using BH-7510-01 Slider and BH-7510-02 Slider Block Carrier.

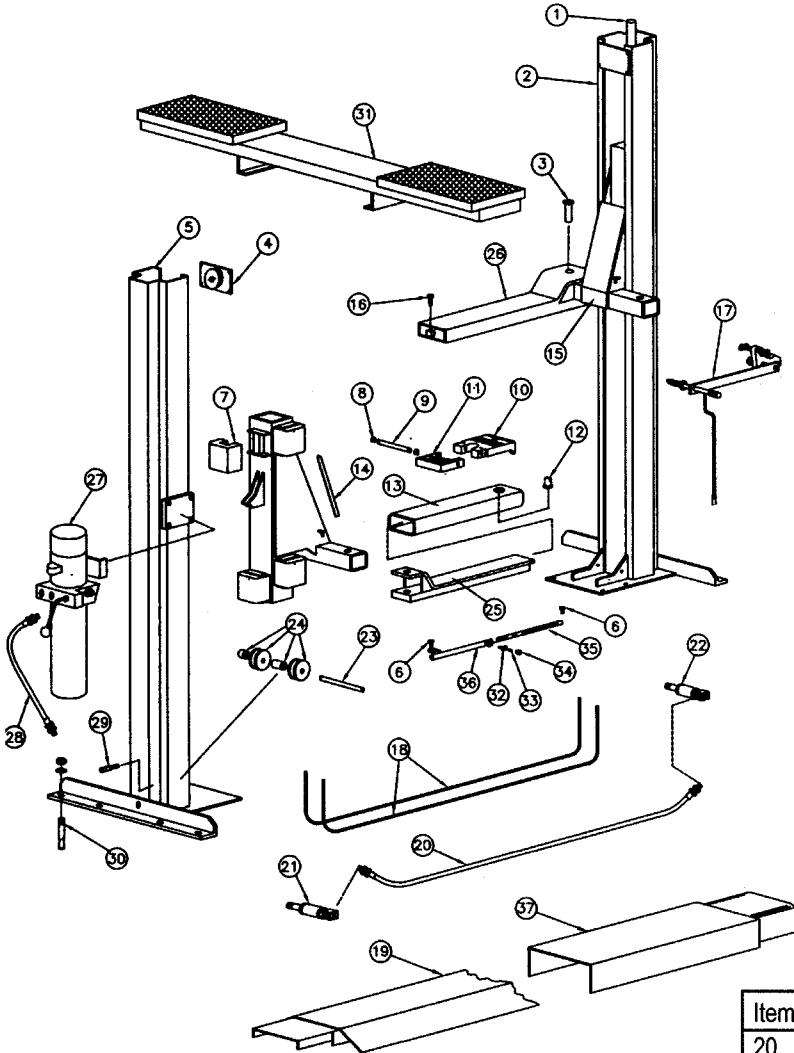
Item	SVI part #	OEM #	Req	Description
1	BH-7511-02	FJ7211	2	Hyd Cylinder after 1987
1	BH-7511-06	FJ783	2	Hyd Cylinder (now uses FJ7375)
1A	BH-7511-10	FJ783-12MF	2	Cyl Seal Kit Mass Ferg
1B	BH-7511-11	FJ783-12TH	2	Cyl Seal Kit Texas Hyd
2	n/a	FJ759	1	Left Hand Column
3	BH-7502-12	FJ730-4	4	Arm Pin
4	BH-7502-11	FJ719-6	2	Upper Sheave Assy
5	n/a	FJ760	1	Right Hand Column
6	n/a		12	Retaining Ring
7	see note	FJ721-5	12	Order BH-7510-01 & 02
8	BH-9755-26	FJ671-6	8	Hog Ring Clip
9	BH-9755-22	FJ671-3	4	Adapter Pin
10	BH-9755-20	FJ671-1	4	High Step Adapter
11	BH-9755-21	FJ671-2	4	Low Step Adapter
12	BH-9755-25	FJ671-5	4	Swivel Pin
13	n/a	FJ7112-1	4	Sleeve Only

Item	SVI part #	OEM #	Req	Description
14	BH-7510-04	FJ761-4	2	Foam Tape
15	n/a	FJ761	2	Carriage
16	n/a	FJ7112	4	Sleeve & Adapter Assy
17	BH-7503-02	FJ748	2	Lock Latch Assy
18	BH-7500-10	FJ7114	2	Equalizer Cable Assy
19	BH-7509-84	FJ7113	1	Center Cover Plate Kit (FJ577)
20	BH-7512-06	FJ87	1	HydraulicHose
21	BH-7510-05	FJ7214	1	RH Piping Assy
22	BH-7510-06	FJ7215	1	LH Piping Assy
23	BH-7500-65A	FJ719-12	2	Sheave Pin
24	BH-7500-65	FJ797	2	Lower Sheave Kit
25	BH-7502-10	FJ7111	2	Front Swing Arm
26	n/a	FJ7110	2	Rear Swing Arm
27	BH-7006-01	P602	1	Power Unit 2hp, 1ph, 3450 RPM
28	BH-7512-52	FJ7191	1	Hydraulic Hose
29A	BH-7512-60	FJ741-1-1	2	Cylinder Adapter Fitting
29B	BH-7512-61	FJ741-1-2	2	Hex Adapter
30	BH-7075-03		16	Anchor 3/4" X 5-1/2"

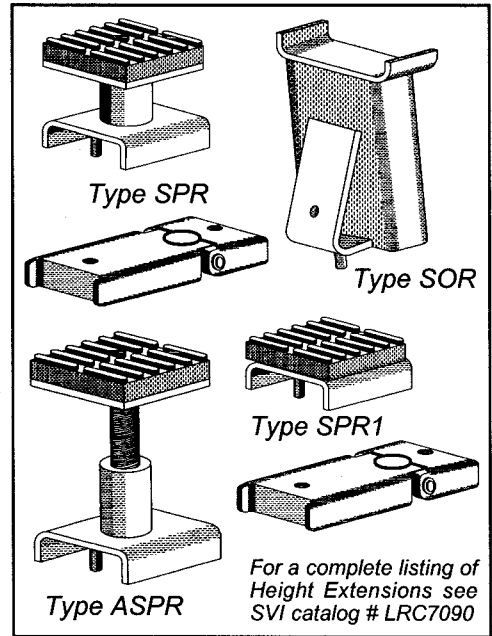
To Order Call: 800 321-8173 or 630-365-9250 / Fax: 800-899-1784 or 630-365-2809

Parts for ROTARY 2 Post Surface-Mount Lifts

for Lift Model SP84/80 Mark II



Height Extensions



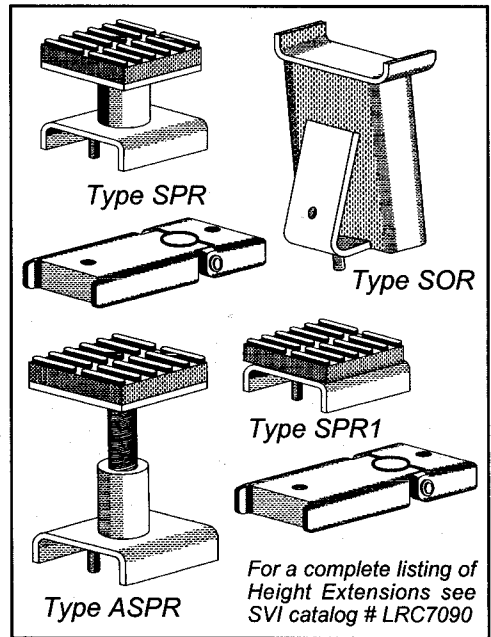
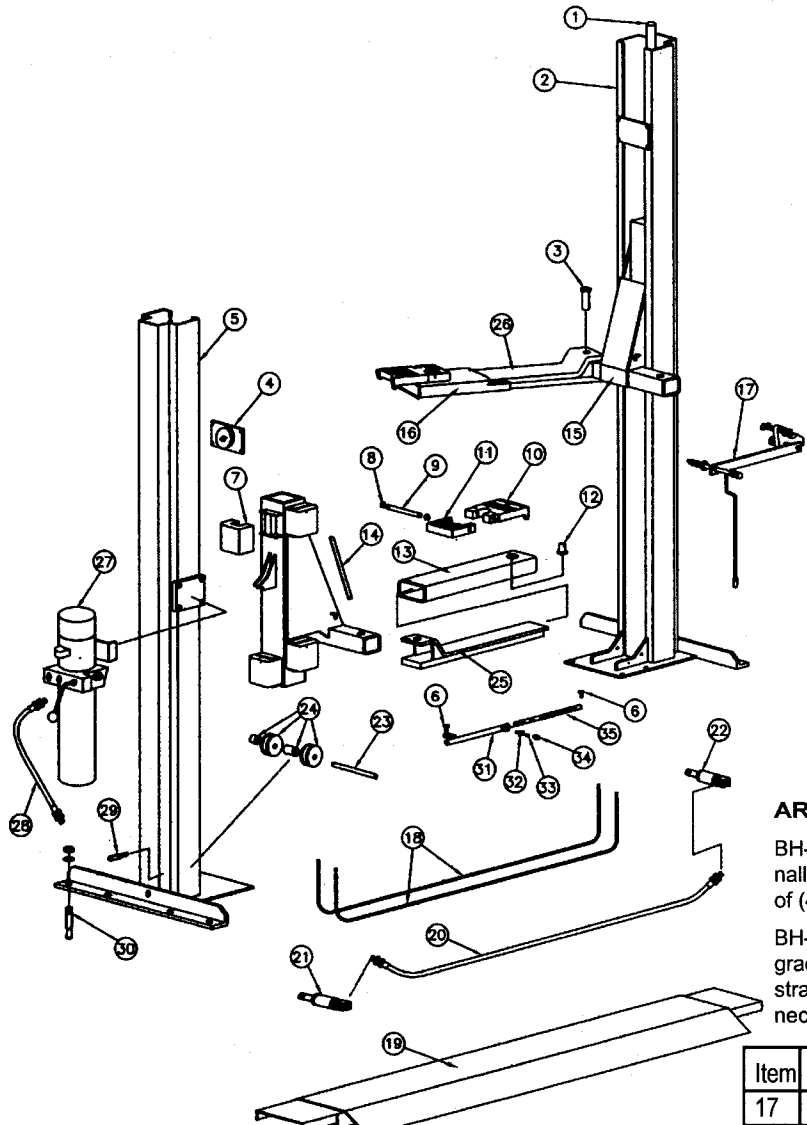
Item	SVI part #	OEM #	Req	Description
1	BH-7511-02	FJ7211	2	Hyd Cylinder
2	n/a	FJ7285	1	Right Hand Column
3	BH-7502-12	FJ730-4	4	Arm Pin
4	BH-7502-11	FJ719-6	2	Upper Sheave Assy
5	n/a	FJ7284	1	Left Hand Column
6	BH-7503-48	FJ7233-22	8	Clevis Pin
7	BH-7510-01	FJ7236	12	Slider Block
8	BH-9755-26	FJ671-6	8	Hog Ring Clip
9	BH-9755-22	FJ671-3	4	Adapter Pin
10	BH-9755-20	FJ671-1	4	High Step Adapter
11	BH-9755-21	FJ671-2	4	Low Step Adapter
12	BH-9755-25	FJ671-5	4	Swivel Pin
13	BH-7508-40	FJ775-1	4	Sleeve Only
14	BH-7510-04	FJ761-4	2	Foam Tape
15	BH-7510-08	FJ7242-1	2	Carriage (SP84)
15	n/a	FJ7349-2	2	Carriage (SP80)
16	F-SC-0375-16-1000	FJ7112	4	3/8" - 1" SocketHead Capscrew
17	BH-7503-02	FJ748	2	Carriage Latch Kit
18	BH-7500-02	FJ776	2	Equalizer Cable Assy
19	BH-7509-84	FJ7250	1	Center Cover Plate Kit (FJ577)

Item	SVI part #	OEM #	Req	Description
20	BH-7512-05	FJ88	1	HydraulicHose
21	BH-7510-05	FJ7214	1	RH Piping Assy
22	BH-7510-06	FJ7215	1	LH Piping Assy
23	BH-7500-65A	FJ719-12	2	Sheave Pin
24	BH-7500-65	FJ797	2	Lower Sheave Kit
25	BH-7504-02	FJ7239	1	Right Rear Swing Arm
25	BH-7504-03	FJ7240	1	Right Front Swing Arm
25	BH-7504-04	FJ7241	1	Left Front Swing Arm
25	BH-7504-01	FJ7238	1	Left Rear Swing Arm
26	n/a			Arm (SP80)
27	BH-7006-01	P602	1	Power Unit 2hp, 1ph, 3450 RPM
28	BH-7512-30	FJ816	1	Hydraulic Hose
29	call for details	FJ741-7	2	Cylinder Adapter Fitting
30	BH-7075-03		16	Anchor 3/4" X 5-1/2"
31	n/a	FJ779	2	Pad and Support Assy (SP80)
32	BH-7503-47	FJ7233-25	4	Arm Restraint Plunger
33	BH-7503-46	FC134-89	4	Spring
34	BH-7503-45	FC134-91	4	Ball
35	BH-7503-23	FJ7233-27	4	Inner Restraint Bar (threaded)
36	BH-7508-25	FJ7233-7	2	Left Hand Restraint Tube
36	BH-7508-24	FJ7233-11	2	Right Hand Restraint Tube
37	BH-7510-05	FJ7314	1	Center Cover (SP80)

To Order Call: 800 321-8173 or 630-365-9250 / Fax: 800-899-1784 or 630-365-2809

Parts for ROTARY 2 Post Surface-Mount Lifts

for Lift Model SP94 Height Extensions



ARM RESTRAINT KITS

BH-7508-12 This Arm Restraint Kit is used on lift that was originally produced to accommodate Arm Restraints. Sold as a complete set of (4) four.

BH-XXXXXXX This Arm Restraint Kit should be ordered when upgrading a lift that was not originally produced to accommodate Arm Restraints. Sold as a complete set of (4) four. Some modification may be necessary.

Item	SVI part #	OEM #	Req	Description
1	BH-7511-02	FJ7211	2	Hyd Cylinder
2	n/a	FJ7286	1	Left Hand Column
3	BH-7502-12	FJ730-4	4	Arm Pin
4	BH-7500-49	FJ7116	2	Upper Sheave Assy
5	n/a	FJ7287	1	Right Hand Column
6	BH-7503-48	FJ7233-22	8	Clevis Pin
7	BH-7510-01	FJ7236	12	Slider Block
8	BH-9755-26	FJ671-6	8	Hog Ring Clip
9	BH-9755-22	FJ671-3	4	Adapter Pin
10	BH-9755-20	FJ671-1	4	High Step Adapter
11	BH-9755-21	FJ671-2	4	Low Step Adapter
12	BH-9755-25	FJ671-5	4	Swivel Pin
13	BH-7502-04	FJ7213-1	4	Sleeve Only
14	BH-7510-04	FJ761-4	2	Foam Tape
15	BH-7504-10	FJ7265	2	Carriage
16	BH-7510-09	FJ7213	4	Sleeve & Adapter Assy

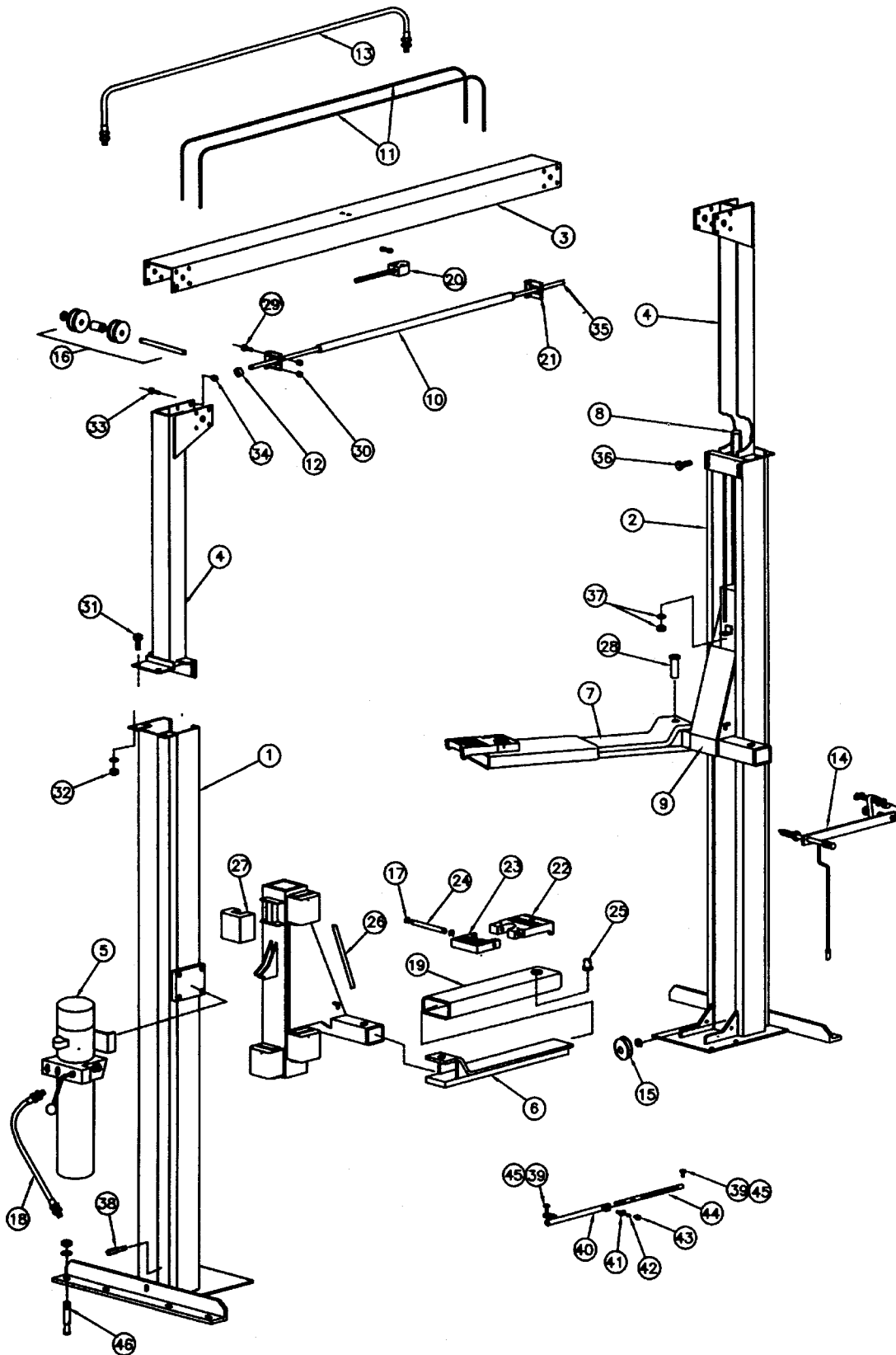
Item	SVI part #	OEM #	Req	Description
17	BH-7503-02	FJ748	2	Carriage Latch Kit
18	BH-7500-08	FJ7122	2	Equalizer Cable Assy
19	BH-7509-84	FJ7251	1	Center Cover Plate Kit (FJ577)
20	BH-7512-04	FJ89	1	Hydraulic Hose
21	BH-7510-05	FJ7214	1	RH Piping Assy
22	BH-7510-06	FJ7215	1	LH Piping Assy
23	BH-7500-65A	FJ719-12	2	Sheave Pin
24	BH-7500-66	FJ7237	2	Sheave Kit
25	BH-7508-11	FJ7230	2	Left Swing Arm
26	BH-7508-10	FJ7229	2	Right Swing Arm
27	BH-7006-01	P602	1	Power Unit 2hp, 1ph, 3450 RPM
28	BH-7512-52	FJ7191	1	Hydraulic Hose
29	call for details	FJ741-7	2	Cylinder Adapter Fitting
30	BH-7075-03		16	Anchor 3/4" X 5-1/2"
31	BH-7508-25	FJ7233-7	2	LF & RR Outer Tube
31	BH-7508-24	FJ7233-11	2	RF & LR Outer Tube
32	BH-7503-47	FJ7233-25	4	Arm Restraint Plunger
33	BH-7503-46	FC134-89	4	Spring
34	BH-7503-45	FC134-91	4	Ball
35	BH-7503-23	FJ7233-27	4	Arm Restraint Threaded Bar

To Order Call: 800 321-8173 or 630-365-9250 / Fax: 800-899-1784 or 630-365-2809



Parts for ROTARY 2 Post Surface-Mount Lifts

for Lift Model SPO84



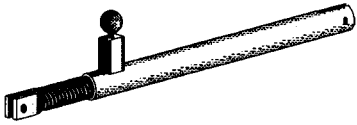
To Order Call: 800 321-8173 or 630-365-9250 / Fax: 800-899-1784 or 630-365-2809

All names, numbers, symbols and descriptions are used for reference purposes only. It is not implied that any part listed is the product of these manufacturers, however, some parts may be the actual product of these manufacturers.

Parts for ROTARY 2 Post Surface-Mount Lifts

for Lift Model SPO84

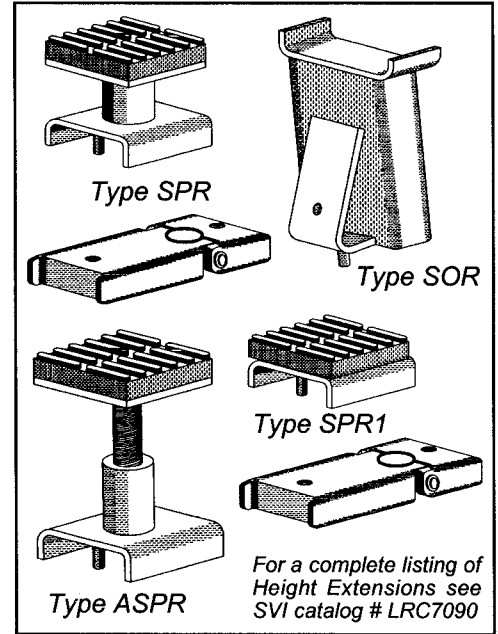
ARM RESTRAINT KITS



BH-7508-12 This Arm Restraint Kit is used on lift that was originally produced to accommodate Arm Restraints. Sold as a complete set of (4) four.

BH-7508-12A This Arm Restraint Kit should be ordered when upgrading a lift that was not originally produced to accommodate Arm Restraints. Sold as a complete set of (4) four. Some modification may be necessary.

Height Extensions



Item	SVI part #	OEM #	Req	Description
1	n/a	FJ7291	1	Right Hand Column
2	n/a	FJ7290	1	Left Hand Column
3	BH-7510-11	FJ7108-1	1	Overhead Structure
4	BH-7510-10	FJ7104	1	Column Overhead Extension
5	BH-7006-01	P602	1	Power Unit 2hp, 1ph, 3450RPM
6	BH-7504-02	FJ7239	1	RR Swing Arm
6	BH-7504-03	FJ7240	1	RF Swing Arm
7	BH-7504-01	FJ7238	1	LR Swing Arm
7	BH-7504-04	FJ7241	1	LF Swing Arm
8	BH-7511-02	FJ7211	2	Hyd Cylinder
9	BH-7510-08	FJ7242-1	2	Carriage Weldment
10	BH-7510-12	FJ7108-7-1-2	1	Overhead Bar Cushion
11	BH-7500-05	FJ7101	2	Equalizer Cable
12	F-FW-0750-SAE	FJ7108-7-3	2	3/4" Washer
13	BH-7512-07	FJ86	1	Hydraulic Hose
14	BH-7503-02	FJ748	2	Carriage Latch Kit
15	BH-7500-50N	FJ7116-1	6	Sheave, Nylon
15	BH-7500-50	FJ7116-1S	6	Sheave, Steel
16	BH-7500-61	FJ7109	1	Sheave Kit, (Nylon Sheaves)
17	BH-9755-26	FJ671-6	8	Hog Ring Clip
18	BH-7512-52	FJ7191	1	Hydraulic Hose
19	BH-7508-40	FJ775-1	4	Sleeve Only
20	BH-7503-28	FJ7868	1	Limit Switch Assy
21	BH-7510-13	FJ7108-7-2	1	Bracket
22	BH-9755-20	FJ671-1	4	High Step Adapter
23	BH-9755-21	FJ671-2	4	Low Step Adapter
24	BH-9755-22	FJ671-3	4	Adapter Pin
25	BH-9755-25	FJ671-5	4	Swivel Pin

Item	SVI part #	OEM #	Req	Description
26	BH-7510-04	FJ761-4	2	Foam Tape
27	BH-7510-01	FJ7236	12	Slider Block
28	BH-7502-12	FJ730-4	4	Arm Pin
29	F-HC-0250-20-0750		4	1/4"-20 X 3/4" Capscrew
30	F-HN-0250-20		4	1/4"-20 Hex Nut
31	F-HC-0375-16-1250		4	3/8"-16 X 1-1/4" Capscrew
32	F-LN-037-16		4	3/8"-16 Lock Nut
33	F-HC-0375-16-0750		16	3/8"-16 X 1-1/4" Capscrew
34	F-LN-037-16		16	3/8"-16 Lock Nut
35	BH-7510-14	FJ7108-7-1-1	1	Overhead Limit Bar
36	F-HC-0500-13-0750		8	1/2"-13 X 3/4" Capscrew
37	F-JN-0500-13		4	1/2"-13 Jam Nut
38	call for details	FJ741-7	2	Cylinder Adapter
39	F-CP-125-1000		8	1/8" X 1" Cotter Pin
40	BH-7508-24	FJ7233-11	2	RH Outer Tube
40	BH-7208-25	FJ7233-7	2	LH Outer Tube
41	BH-7503-47	FJ7233-25	4	Arm Restraint Plunger
42	BH-7503-46	FC134-89	4	Spring
43	BH-7503-45	FC134-91	4	Ball
44	BH-7503-23	FJ7233-27	4	Arm Restraint Threaded Bar
45	BH-7503-48	FJ7233-22	8	Clevis Pin

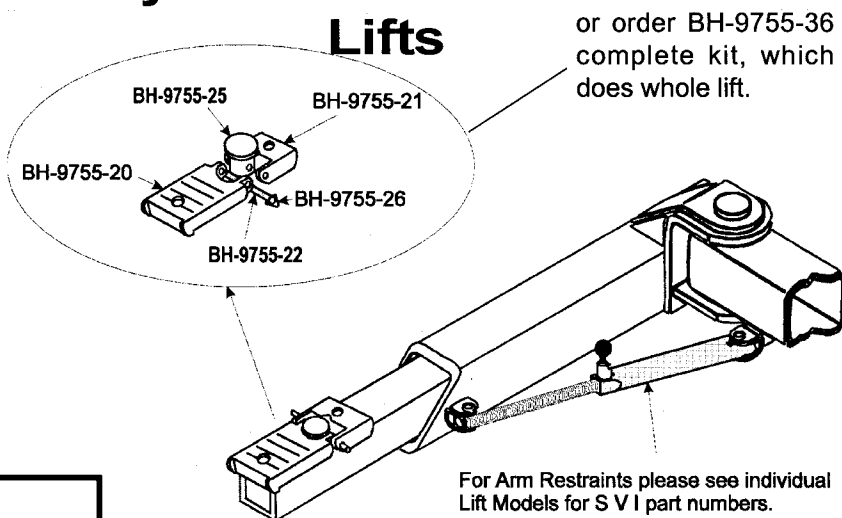
To Order Call: 800 321-8173 or 630-365-9250 / Fax: 800-899-1784 or 630-365-2809

Parts for ROTARY Surface-Mount Lifts

Parts Common to Many SP Series Lifts

Lift Arm Components

Lift Arm Components are common to all two post SP series Rotary Lifts designed for frame contact. For Lift swing arms and arm restraints please see individual lift parts lists.



S V I Part # Part Number	O.E.M. Part No.	Description
BH-9755-20	FJ671-1	High Step Adapter
BH-9755-21	FJ671-2	Low Step Adapter
BH-9755-22	FJ671-3	Adapter Pin
BH-9755-25	FJ671-5	Swivel Pin short in-ground
BH-9755-25L	FJ79-6	Swivel Pin long surface mount
BH-9755-26	FJ671-6	Hog Ring Clip

S V I Part # Part Number	O.E.M. Part No.	Description
BH-9755-50	FJ696	Truck Height Adapter Overall Height 9-3/8"
BH-7502-01	FJ697	Rubber Pad Adapter Fits over standard adapters

Lock Latch Details and Components

Used on Lift Models: SP88, SPO88, SPOA88, SP98, SPO98, SPOA98

S V I Description	O.E.M. Part Number	Part Number	Specifications	Quantity Required
Control Side Cover	BH-7502-51	FJ7452	for Base Mount Models	1
Slave Side Cover	BH-7502-50	FJ7451	for Base Mount Models	1
Locking Latch Dog	BH-7503-14	FJ7382-7	Latch Dog	1
Latch Control Plate	BH-7503-40	FJ7594-2	Control Plate	1
Latch Spring	BH-7503-10	FJ7382-3	Single Coil Spring for Latch Shaft	1
Latch Spring	BH-7503-16	FJ7382-9	Single Coil Spring	1
Latch Shaft	BH-7503-11	FJ7382-3	Latch Shaft	1
Release Cable	BH-7501-25	FJ7594-1	Release Cable 24'	1
Release Cable	BH-7501-24	FJ7595-1	Release Cable 29'	1
Cable Adjuster	BH-7503-41	FJ7594/95	Latch Cable Adjuster	1
Handle Knob	BH-7503-45	FC134-9-10	Ball for Handle	1
Handle	BH-7503-17	FJ7382-18	Handle	1
Sheave	BH-7501-26	FJ7322	Locking Latch Sheave	1

To Order Call: 800 321-8173 or 630-365-9250 / Fax: 800-899-1784 or 630-365-2809



Parts for ROTARY Surface-Mount Lifts

Parts for Rotary Lift Model: SP55

Description	S V I Part Number	O.E.M. Part Number	Specifications	Quantity Required
Complete Cable/Sheave Kit	BH-7500-75		Includes items * Noted Below	1
Steel Cable/Sheave Kit	BH-7500-75S		Includes Items ** Noted Below plus: Steel Sheave - Not Nylon	1
Equalizer Cable	BH-7500-10	FJ7114	23' - 8-3/8" long	2*
Stainless Eq. Cable	BH-7500-10SS	FJ7114 23' -	8-3/8" long Stainless	2
Equalizer Cable Sheave	BH-7500-50N	FJ7116-1	Nylon Sheave/Pulley	4*
Equalizer Cable Sheave	BH-7500-50	FJ7116-1	Steel Sheave/Pulley	4**
Upper Sheave Ass'y	BH-7500-49	FJ7116	Upper Sheave Ass'y.	2*
Sheave Spacer	BH-7500-65C	FJ719-10	Lower Sheave Spacer	2*
Cotter Pin	F-CP-188-1500			2*
Sheave Shaft	BH-7500-65A	FJ719-12	Lower Sheave Shaft	2*
Sheave Spacer	BH-7500-65B	F719-11	Lower Sheave Spacer	2*
Hydraulic Cylinder	BH-7511-02	FJ7375	Cylinder + BH-7511-05 Adapter	1
Cylinder Seal Kit	BH-7511-10/11	FJ-783-12	Specify MF(-10) or TH (-11)	1
Hydraulic Hose	BH-7512-06	FJ87	9' - 8-3/4" Hose	1
Hose Retrofit Kit	BH-7512-01	FJ7216	To Convert from Hyd. tubing to hose	1
Arm Restraint	BH-7508-04	FJ7516	Left Front/Right Rear	2
Arm Restraint	BH-7508-05	FJ7517	Right Front/Left Rear	2
Locking Latch Kit	BH-7503-02	FJ748	Complete Latch Kit	1

Parts for Rotary Lift Model: SP70/74

SP70/74 began manufacture in 1977. It is a base model unit with standard arms and a rectangular power unit mounted at the top of the column. The power unit (model P461) is no longer available; however, S V I has repair parts for this power unit and information for retrofitting a new unit.

Equalizer Cable	BH-7500-40	FJ73-1	26' 5"	2
Stainless Equalizer Cable	BH-7500-40SS	FJ73-1	26' 5"	2
Lower Cable Sheave	BH-7500-50N	FJ7116-1	Nylon Cable Sheave	4
Lower Cable Sheave	BH-7500-50	FJ7116-1	Steel Cable Sheave	4
Lower Sheave Pin	BH-7500-54	FJ73-6	Pin	2
Sheave "U" Bolt	BH-7500-55	FJ73-5	U Bolts	4
Cylinder Seal Kit	BH-7511-09	FJ76-12	Seal Kit for FJ76 cylinder	1
Hydraulic Hose	BH-7512-04	FJ89	10' 6-3/4" long	1
Power Unit Parts	BH-7005 Series	P461	Rectangular Reservoir	1

To Order Call: 800 321-8173 or 630-365-9250 / Fax: 800-899-1784 or 630-365-2809



Parts for ROTARY Surface-Mount Lifts

Parts for Rotary Lift Model: SP80, SP80-3,-4,-7, SP84, SP84-7, SP84-16, SP84/80 Mark II

The SP84/80 series are base unit models. SP80 is a pad lift. SP84 has standard swing arms. Both units originally included a rectangular power unit mounted at the top of the column. The power unit (model P461) is no longer available; however, SVI has repair parts for this power unit and information for retrofitting a new unit. The SP94 series is the 9000 lb. version.

Description	S V I Part Number	O.E.M. Part Number	Specifications	Quantity Required
Complete Cable/Sheave Kit	BH-7500-76		Includes items * Noted Below	1
Steel Cable/Sheave Kit	BH-7500-76S		Includes Items ** Noted Below plus: Steel Sheave - Not Nylon	1
Complete Cable/Sheave Kit	BH-7500-79		Includes Items + for SP84/80 Mark II	1
Steel Cable Sheave Kit	BH-7500-79S		Includes Items ++ for SP84/80 Mark II plus: Steel Sheave - Not Nylon	1
Equalizer Cable	BH-7500-01	FJ719-1	24' 8-3/8" long (Column Bolts to Base)	2*
Stainless Eq. Cable	BH-7500-01SS	FJ719-1	24' 8-3/8" long	2
Equalizer Cable	BH-7500-02	FJ776	24' 3/8" long for SP84/80 Mark II	2+
Stainless Eq. Cable	BH-7500-02SS	FJ776	24' 3/8" long for SP84/80 Mark II	2
Stainless Eq. Cable	BH-7500-04	FJ7130	24' 1" long for SP84-16 Recessed stainless steel	2
Equalizer Cable Sheave	BH-7500-50N	FJ7116-1	Nylon Sheave/Pulley lower	4*+
Equalizer Cable Sheave	BH-7500-50	FJ7116-1	Steel Sheave/Pulley	4***+
Upper Sheave Ass'y	BH-7500-49	FJ7116	Upper Sheave Ass'y.	2*+
Sheave Spacer	BH-7500-65C	FJ719-10	Lower Sheave Spacer	2*+
Cotter Pin	F-CP-188-1500			2*+
Sheave Shaft	BH-7500-65A	FJ719-12	Lower Sheave Shaft	2*+
Sheave Spacer	BH-7500-65B	F719-11	Lower Sheave Spacer	2*+
Hydraulic Cylinder	BH-7511-02	FJ7375	Cylinder + BH-7511-05 Adapter	1
Cylinder Seal Kit	BH-7511-10/11	FJ-783-12	Specify MF(-10) or TH (-11)	1
Hydraulic Hose	BH-7512-04	FJ89	10' 6-3/4" Hose(SP80-1,-3), (SP84 II)	1
Hydraulic Hose	BH-7512-05	FJ88	10' 1-3/4" Hose (SP80-4,-7)	1
Hose Retrofit Kit	BH-7512-02	FJ7217	Convert from hyd. tubing to hose	1
Arm Restraint	BH-7508-04	FJ7516	Left Front/Right Rear	2
Arm Restraint	BH-7508-05	FJ7517	Right Front/Left Rear	2
Slider Block	BH-7510-01	FJ7236	Carriage Slider Block	12
Locking Latch Kit	BH-7503-02	FJ748	Complete Latch Kit	1

Parts for Rotary Lift Model: SP94, SP94ER

Complete Cable/Sheave Kit	BH-7500-85		Includes BH-7500-08 cables plus + items listed above	1
Steel Cable/Sheave Kit	BH-7500-85S		Includes Steel sheaves K+ items listed above	1
Equalizer Cable	BH-7500-08		FJ7122 24' 7" long	2*
Stainless Eq. Cable	BH-7500-08SS	FJ7122	24' 7" long	2
Please see SP84/80 parts list for other components common to these two lifts.				

To Order Call: 800 321-8173 or 630-365-9250 / Fax: 800-899-1784 or 630-365-2809



Parts for ROTARY Surface-Mount Lifts

Parts for Rotary Lift Model: SPO84

Description	SVI Part Number	O.E.M. Part Number	Specifications	Quantity Required
Complete Cable/Sheave Kit	BH-7500-80		Includes items * Noted Below	1
Steel Cable/Sheave Kit	BH-7500-80S		Includes Items ** Noted Below plus: Steel Sheave - Not Nylon	1
Equalizer Cable	BH-7500-05	FJ7101	32' 3-9/16" long	2*
Stainless Eq. Cable	BH-7500-05SS	FJ7101	32' 3-9/16" long Stainless	2
Equalizer Cable Sheave	BH-7500-50N	FJ7116-1	Nylon Sheave/Pulley	4*
Equalizer Cable Sheave	BH-7500-50	FJ7116-1	Steel Sheave/Pulley	4**
Sheave Shaft	BH-7500-61A	FJ7109-2	Shafts	2*
Sheave Spacer	BH-7500-65B	FJ719-11	Sheave Spacer	2*
Cotter Pin	F-CP-188-1500			2*
Washer	BH-7500-61D		Flat Washer	6*
Hydraulic Cylinder	BH-7511-02	FJ7211	Cylinder	1
Cylinder Seal Kit	BH-7511-10/11	FJ783-12	Specify MF(-10) or TH (-11)	1
Hydraulic Hose	BH-7512-07	FJ86	28' 5" Hose	1
Arm Restraint	BH-7508-04	FJ7516	Left Front/Right Rear	2
Arm Restraint	BH-7508-05	FJ7517	Right Front/Left Rear	2
Slider Block	BH-7510-01	FJ7236	Carriage Slider Block	12
Locking Latch Kit	BH-7503-02	FJ748	Complete Latch Kit	1

Parts for Rotary Lift Model: SPOA84

Complete Cable/Sheave Kit	BH-7500-81		Includes items * Noted Below	1
Steel Cable/Sheave Kit	BH-7500-81S		Includes Items ** Noted Below plus: Steel Sheave - Not Nylon	1
Equalizer Cable	BH-7500-06	FJ7156	32' 5-15/16" long	1*
Equalizer Cable	BH-7500-07	FJ7157	32' 2-9/16" long	1*
Stainless Eq. Cable	BH-7500-06SS	FJ7101	32' 5 15/16" long Stainless	1
Stainless Eq. Cable	BH-7500-07SS	FJ7157	32' 2-9/16" long	1
Equalizer Cable Sheave	BH-7500-50N	FJ7116-1	Nylon Sheave/Pulley	8*
Equalizer Cable Sheave	BH-7500-50	FJ7116-1	Steel Sheave/Pulley	8**
Clip Ring	BH-7500-62A			8*
Arm Restraint	BH-7508-07	FJ7519	Left Front	1
Arm Restraint	BH-7508-06	FJ7518	Right Front	1
Arm Restraint	BH-7508-09	FJ7521	Right Rear	1
Arm Restraint	BH-7508-08	FJ7520	Left Rear	1

Please see SPO84 parts list for other components common to these two lifts.

To Order Call: 800-321-8173 or 630-365-9250 / Fax: 800-899-1784 or 630-365-2809

All names, numbers, symbols and descriptions are used for reference purposes only. It is not implied that any part listed is the product of these manufacturers; however, some parts may be the actual product of these manufacturers.



Parts for ROTARY Surface-Mount Lifts

Parts for Rotary Lift Model: SPOA84 NB (Narrow Bay) and LC (restricted clearance)

SPOA84 NB and LC models are variations of the SPOA84. Most of the repair parts used on the NB and LC models are also used on the standard models. A primary difference are the equalizer cables. Below are the various equalizer cables used on the Narrow Bay and Low Clearance models. Please see the SPOA84 parts list for components common to these lifts.

Description	S V I Part Number	O.E.M. Part Number	Specifications
Equalizer Cable (for Stainless add "SS")	BH-7500-13	FJ7336	31' 4-9/16" for Narrow Bay Lifts
Equalizer Cable (for Stainless add "SS")	BH-7500-14	FJ7337	31' 7-15/16" for Narrow Bay Lifts
Equalizer Cable (for Stainless add "SS")	BH-7500-11	FJ7331	31' 9-15/16" for 4" Low Clearance
Equalizer Cable (for Stainless add "SS")	BH-7500-12	FJ7333	31' 6-9/16" for 4" Low Clearance
Equalizer Cable (for Stainless add "SS")	BH-7500-15	FJ7332	31' 1-15/16" for 8" Low Clearance
Equalizer Cable (for Stainless add "SS")	BH-7500-16	FJ7334	30' 10-9/16" for 8" Low Clearance
Equalizer Cable (for Stainless add "SS")	BH-7500-03	FJ7346	30' 8-9/16" for Narrow Bay - 4" Low Clearance
Equalizer Cable (for Stainless add "SS")	BH-7500-19	FJ7345	30' 11-15/16 for Narrow Bay - 4" Low Clearance
Equalizer Cable (for Stainless add "SS")	BH-7500-17	FJ7347	30' 3-15/16" for Narrow Bay - 8" Low Clearance
Equalizer Cable (for Stainless add "SS")	BH-7500-18	FJ7348	30' 9/16" for Narrow Bay - 8" Low Clearance

Parts for Rotary Lift Model: SPO94, SPO94ER

The SPO94 series is the 9000 lb. version of the SPO84 series lifts. Below is a parts list for those parts unique to the SPO94 lift. For other parts please see the SPO84 series shown on page 5.

Description	S V I Part Number	O.E.M. Part Number	Specifications	Quantity Required
Complete Cable/Sheave Kit	BH-7500-87		Includes items * Noted Below	1
Steel Cable/Sheave Kit	BH-7500-87S		Includes Items ** Noted Below plus: Steel Sheave - Not Nylon	1
Equalizer Cable	BH-7500-09	FJ7165	32' 9-9/16" long	2*
Stainless Eq. Cable	BH-7500-09SS	FJ7165	32' 9-9/16" long Stainless	2
Equalizer Cable Sheave	BH-7500-50N	FJ7116-1	Nylon Sheave/Pulley	4*
Equalizer Cable Sheave	BH-7500-50	FJ7116-1	Steel Sheave/Pulley	4**
Sheave Shaft	BH-7500-61A	FJ7109-2	Shafts	2*
Sheave Spacer	BH-7500-65B	FJ719-11	Sheave Spacer	2*
Spacer	BH-7500-65C	FJ719-10	Sheave Spacer	2*
Cotter Pin	F-CP-125-1500			2*
Washer	BH-7500-61D		Flat Washer	6*

To Order Call: 800 321-8173 or 630-365-9250 / Fax: 800-899-1784 or 630-365-2809

All names, numbers, symbols and descriptions are used for reference purposes only. It is not implied that any part listed is the product of these manufacturers, however, some parts may be the actual product of these manufacturers.



Parts for ROTARY Surface-Mount Lifts

Parts for Rotary Lift Model: SP88

Description	S V I Part Number	O.E.M. Part Number	Specifications	Quantity Required
Complete Cable/Sheave Kit	BH-7500-82		Includes items * Noted Below	1
Steel Cable/Sheave Kit	BH-7500-82S		Includes Items ** Noted Below plus: Steel Sheave - Not Nylon	1
Equalizer Cable	BH-7500-21	FJ7422	25' 4-1/2" long	2*
Stainless Eq. Cable	BH-7500-21SS	FJ7422	25' 4-1/2" long Stainless	2
Equalizer Cable Sheave	BH-7500-50N	FJ7116-1	Nylon Sheave/Pulley	6*
Equalizer Cable Sheave	BH-7500-50	FJ7116-1	Steel Sheave/Pulley	6**
Clip Ring	BH-7500-62A		Sheave Clip Ring	6*
Hydraulic Cylinder	BH-7511-03	FJ7311	Cylinder	1
Cylinder Seal Kit	BH-7511-10/11	FJ783-12	Specify MF(-10) or TH (-11)	1
Hydraulic Hose	BH-7512-08	FJ7356	9' 7-3/8" Hose	1
Arm Restraint	BH-7503-50	FJ7522	Complete Arm Restraint Ass'y.	4
Slider Block	BH-7510-03	FJ7360	Carriage Slider Block	8
For Lock Latch Details and components please see the common parts list on page 2.				

Parts for Rotary Lift Model: SP98

The SP98 series is the 9000 lb. version of the SP88 series lifts. Below is a parts list for those parts unique to the SP98 lift. For other parts please see the SP88 series shown above.

Description	S V I Part Number	O.E.M. Part Number	Specifications	Quantity Required
Complete Cable/Sheave Kit	BH-7500-89		Includes items * Noted Below	1
Steel Cable/Sheave Kit	BH-7500-89S		Includes Items ** Noted Below plus: Steel Sheave - Not Nylon	1
Equalizer Cable	BH-7500-20	FJ7421	25' 10-1/2" long	2*
Stainless Eq. Cable	BH-7500-20SS	FJ7421	25' 10-1/2" long Stainless	2
Equalizer Cable Sheave	BH-7500-50N	FJ7116-1	Nylon Sheave/Pulley	6*
Equalizer Cable Sheave	BH-7500-50	FJ7116-1	Steel Sheave/Pulley	6**
Lower Shaft Ass'y.	BH-7500-67	FJ7425-6	Lower Shaft Housing, Shaft, hardware	2*
Clip Ring	BH-7500-62A		Clip Rings	6

To Order Call: 800 321-8173 or 630-365-9250 / Fax: 800-899-1784 or 630-365-2809

All names, numbers, symbols and descriptions are used for reference purposes only. It is not implied that any part listed is the product of these manufacturers, however, some parts may be the actual product of these manufacturers.



Parts for ROTARY Surface-Mount Lifts

Parts for Rotary Lift Model: SP088

Description	S V I Part Number	O.E.M. Part Number	Specifications	Quantity Required
Complete Cable/Sheave Kit	BH-7500-83		Includes items * Noted Below	1
Steel Cable/Sheave Kit	BH-7500-83S		Includes Items ** Noted Below plus: Steel Sheave - Not Nylon	1
Equalizer Cable	BH-7500-23	FJ7450	25' 4-1/2" long	2*
Stainless Eq. Cable	BH-7500-23SS	FJ7450	25' 4-1/2" long Stainless	2
Equalizer Cable Sheave	BH-7500-50N	FJ7116-1	Nylon Sheave/Pulley	6*
Equalizer Cable Sheave	BH-7500-50	FJ7116-1	Steel Sheave/Pulley	6**
Sheave Shaft	BH-7500-68	FJ7444-8	Shaft for Upper Sheaves	2*
Sheave Spacer	BH-7500-65C	FJ719-10	Spacer for Upper Sheave	2*
Clip Ring	BH-7500-62A		Sheave Clip Ring	6*
Hydraulic Cylinder	BH-7511-03	FJ7311	Cylinder	1
Cylinder Seal Kit	BH-7511-10/11	FJ783-12	Specify MF(-10) or TH (-11)	1
Hydraulic Hose	BH-7512-09	FJ819	29' 5" Hose	1
Arm Restraint	BH-7503-50	FJ7522	Arm Restraint Assembly	4
Complete Arm Restraint Kit	BH-7508-14	FJ7359	Arm Restraint Kit - 4 restraints	1
Slider Block	BH-7510-03	FJ7360	Carriage Slider Block	8
For Lock Latch Details and components please see the common parts list on page 2.				

Parts for Rotary Lift Model: SP0A88

Description	S V I Part Number	O.E.M. Part Number	Specifications	Quantity Required
Complete Cable/Sheave Kit	BH-7500-84		Includes items * Noted Below	1
Steel Cable/Sheave Kit	BH-7500-84S		Includes Items ** Noted Below plus: Steel Sheave - Not Nylon	1
Equalizer Cable	BH-7500-22	FJ7449	29' 8-13/16" long	2*
Stainless Eq. Cable	BH-7500-22SS	FJ7449	29' 8-13/16" long Stainless	2
Equalizer Cable Sheave	BH-7500-50N	FJ7116-1	Nylon Sheave/Pulley	6*
Equalizer Cable Sheave	BH-7500-50	FJ7116-1	Steel Sheave/Pulley	6**
Sheave Shaft	BH-7500-68	FJ7444-8	Shaft for Upper Sheaves	2*
Sheave Spacer	BH-7500-65C	FJ719-10	Spacer for Upper Sheave	2*
Clip Ring	BH-7500-62A		Sheave Clip Ring	6*
Hydraulic Cylinder	BH-7511-03	FJ7311	Cylinder	1
Hydraulic Hose	BH-7512-16	FJ811	27' 9" Hose	1
Front Arm Restraint	BH-7508-01F	FJ7524	For Left and Right Front Arms	2
Rear Arm Restraint	BH-7508-01R	FJ7523	For Left and Right Rear Arms	2
Complete Arm Restraint Kit	BH-7508-15	FJ7366	Arm Restraint Kit - 4 restraints	1
Slider Block	BH-7510-03	FJ7360	Carriage Slider Block	8
For Lock Latch Details and components please see the common parts list on page 2.				

To Order Call: 800 321-8173 or 630-365-9250 / Fax: 800-899-1784 or 630-365-2809



Parts for ROTARY Surface-Mount Lifts

Parts for Rotary Lift Model: SP0A98

The SPOA98 is the 9000 lb. capacity version of the SPOA88. It features overhead equalization and asymmetric arms. Please see the SPOA88 parts list for parts common to these lifts. Parts unique to the SPOA98 are listed below.

Description	S V I Part Number	O.E.M. Part Number	Specifications	Quantity Required
Complete Cable/Sheave Kit	BH-7500-90		Includes items * Noted Below	1
Steel Cable/Sheave Kit	BH-7500-90S		Includes Items ** Noted Below plus: Steel Sheave - Not Nylon	1
Equalizer Cable	BH-7500-24	FJ7490	29' 7/16" long	2*
Stainless Eq. Cable	BH-7500-24SS	FJ7490	29' 7/16" long Stainless	2
Equalizer Cable Sheave	BH-7500-50N	FJ7116-1	Nylon Sheave/Pulley	6*
Equalizer Cable Sheave	BH-7500-50	FJ7116-1	Steel Sheave/Pulley	6**
Sheave Shaft	BH-7500-68	FJ7444-8	Shaft for Upper Sheaves	2*
Sheave Spacer	BH-7500-65C	FJ719-10	Spacer for Upper Sheave	2*
Cotter Pin	F-CP-125-1500		Cotter Pin	2*
Hydraulic Cylinder	BH-7511-03	FJ7311	Cylinder	1
Hydraulic Hose	BH-7512-17	FJ85	28' 5" Hose	1
Front Arm Restraint	BH-7508-01F	FJ7524	For Left and Right Front Arms	2
Rear Arm Restraint	BH-7508-01R	FJ7523	For Left and Right Rear Arms	2
Slider Block	BH-7510-03	FJ7360	Carriage Slider Block	8
For Lock Latch Details and components please see the common parts list on page 2.				

Parts for Rotary Lift Model: SP7/9

Parts for Rotary Lift Model: SPO7/9

Parts for Rotary Lift Model: SPOA7/9

These are the current product lifts manufactured by Rotary lift. Please contact S V I for information on repair items for these lifts.



Parts for ROTARY Surface-Mount Lifts

Parts for Four Post Rotary Lift Model: AR/SM90, AR/SM120, SM91, SM121, QL4P, CWA90, CWA120

Description	S V I Part Number	O.E.M. Part Number	Specifications	Quantity Required	
Air Lock System Components					
Air Cylinder (D shape)	BH-7515-01	FA2273-20	Lock Release Cylinder	4	
Air Cylinder(round)	BH-7501-53	FA2230-1	Lock Release Cylinder	4	
Air Valve	BH-7514-20	FA3203	Air Lock Release Valve - button style	1	
Air Valve	BH-7515-02	FA2273-3	Air Lock Release Valve - toggle style	1	
Slotted Bracket	BH-7501-53B	FA2230-9	Bracket for Air Cylinder	4	
Left Hand Slack Cable Latch	BH-7501-54	FC553-20	Slack Cable Lock Latch	2	
Left hand Locking Latch	BH-7501-60	FC5505	Left Hand Locking Latch	2	
Right Hand Slack Cable Latch	BH-7501-54R	FC553-19	Slack Cable Lock Latch	2	
Right Hand Locking Latch	BH-7501-60A	FC522-8	Right Hand Locking Latch (FC5504)	2	
Extension Spring	BH-7501-61	FC522-25	Extension Spring for Latch	4	
Latch Shaft	BH-7501-55	FC5224-17	Latch Shaft for Locking Mechanism	4	
Torsion Spring	BH-7501-59	FC5224-62	Left Hand Torsion Spring	4	
Torsion Spring	BH-7501-59R	FC5224-63	Right Hand Torsion Spring	4	
Cable Sheave	BH-7501-40	FC522-5	for AR/SM90, SM91, CWA90	1-1/4"	4
Sheave Pin	BH-7501-39	FC522-34	Sheave Pin for Cable Sheave	1-1/4"	4
Front Sheave Pin	BH-7501-41	FC521-11	Front Sheave Pin for SM90	1-1/4"	2
Rear Sheave Pin	BH-7501-41	FC521-11	Rear Sheave Pin for SM90	1-1/4"	2
Spacer	BH-7501-43S	FC522-70	Spacer for Cable Sheave	1-1/4"	16
Cable Sheave	BH-7501-45	FC548	for SM120, SM121,CWA120, QL4P	1-1/2"	4
Sheave Pin 4-1/2"	BH-7501-44	FC5224-21	Sheave Pin for Cable Sheave	1-1/2"	4
Sheave Pin 5-1/2"	BH-7501-47	FC555-1	Sheave Pin for Cable Sheave	1-1/2"	4
Spacer	BH-7516-59	FC548-5	Spacer for Cable Sheave	1-1/2"	4
Cable Sheave	BH-7501-50	FC5225-2	for SM250, SM270		4
Sheave Bearing	BH-7501-51	FC5225-17	Bearing		4
Sheave Pin	BH-7501-52	FC5225-3	Sheave Pin for Cable Sheave		4
Hydraulic Cylinder	BH-7501-62	FC542	Cylinder for SM120		1
Cylinder Seal Kit	BH-7501-63	FC542-12MF	Seal Kit for Massey Ferg. Cylinder		1
Cylinder Seal Kit	BH-7501-64	FC542-12TH	Seal Kit for Texas Hyd. Cylinder		1

For 4-post cables please see page 16 or the SVI Cable Booklet.

SVI can meet all your repair parts needs for Rotary Lifts.
For parts not listed contact us for help.

To Order Call: 800 321-8173 or 630-365-9250 / Fax: 800-899-1784 or 630-365-2809

**Parts for ROTARY Surface-Mount Lifts****Parts for Four Post Rotary Lift Model: AR/SM90, AR/SM120, SM91, SM121, QL4P, CWA90, CWA120****Four Post Equalizer Cables**

Description	SVI Part Number	O.E.M. Part Number	Specifications	Quantity Required
9000 lb. Left Rear Cable	BH-7501-01	FC516	Cable for SM90, CWA90	1
9000 lb. Right Rear Cable	BH-7501-02	FC517	Cable for SM90, CWA90	1
9000 lb. Left Front Cable	BH-7501-03	FC518	Cable for SM90, CWA90	1
9000 lb. Right Front Cable	BH-7501-04	FC519	Cable for SM90, CWA90	1
12000 lb. Left Rear Cable	BH-7501-05	FC544	Cable for SM120/QL4P	1
12000 lb. Right Rear Cable	BH-7501-06	FC545	Cable for SM120/QL4P	1
12000 lb. Left Front Cable	BH-7501-07	FC546	Cable for SM120/QL4P	1
12000 lb. Right Front Cable	BH-7501-08	FC547	Cable for SM120/QL4P	1
25000 lb. Left Rear Cable	BH-7501-09	FC5225-6	Cable for SM250/SM270	1
25000 lb. Right Rear Cable	BH-7501-10	FC5225-7	Cable for SM250/SM270	1
25000 lb. Right Front Cable	BH-7501-11	FC5225-5	Cable for SM250/SM270	1
25000 lb. Left Front Cable	BH-7501-12	FC5225-4	Cable for SM250/SM270	1

- **Call for Cables not Listed - all are available from SVI.**