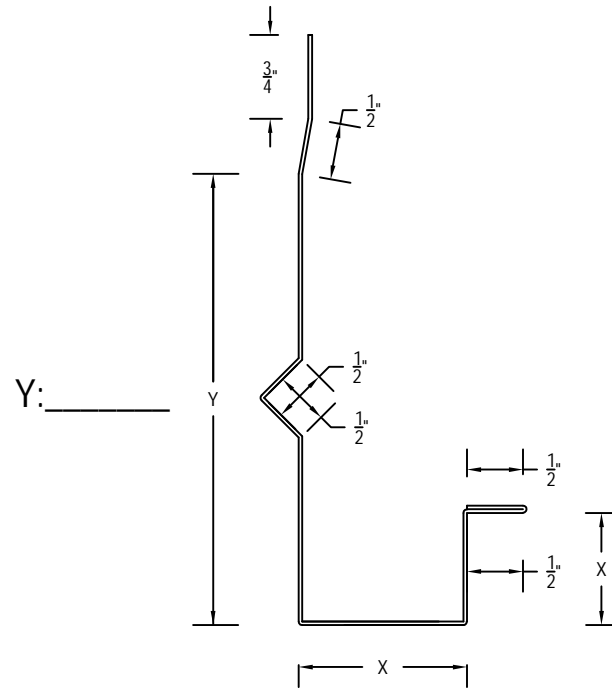


J-FASCIA WITH STIFFENER & RETURN CUSTOM

MATERIAL (please choose one):

- | | | |
|--------------------------------------|------------------------------------|------------------------------------|
| <input type="checkbox"/> 24 GA Steel | <input type="checkbox"/> .032 Alum | <input type="checkbox"/> .050 Alum |
| <input type="checkbox"/> 22 GA Steel | <input type="checkbox"/> .040 Alum | <input type="checkbox"/> .063 Alum |

Color: _____ Finish: _____



Y: _____

X: _____

J-FASCIA WITH STIFFENER & RETURN
_____ LINEAR FEET (120" PCS)

Notes:

- 1) Ship To Address: _____
City: _____ State: _____ Zip: _____
- 2) Written approval is required prior to fabrication, contractor is responsible for all dimensions and quantities. Fabricated items are not returnable.

Sheet ___ of ____ DWG# 710-025

Temple Architectural Products
1111 Lowell St.
Elyria, OH 44035

Phone: (440) 323-9393
Fax: (440) 412-7559

Project Name: _____

Installing Contractor: _____

Contact Name: _____

Contact number: _____

Signed Approval: _____