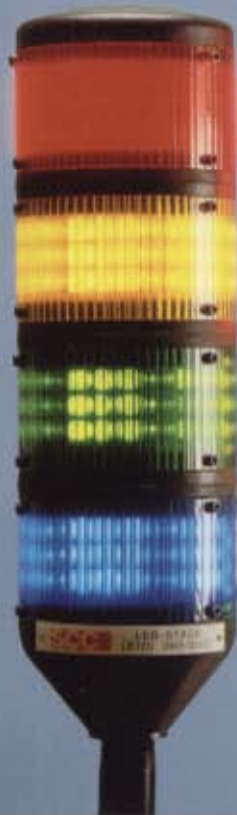


SERIES 4003

LED-STACK



Description...

This "Stacked" light product is a machine status indicator that provides an alert to personnel within 200 feet of a process. The SCC 4003 is designed to replace the use of outdated incandescent light indicators with an LED based product. The life of the SCC "LED-STACK" is 100,000 hours of operation versus the 2,000 hours expected from incandescent bulbs. In contrast to incandescent Stack Lights, which are off when a bulb burns out, the SCC LED-STACK provides partial illumination if a LED fails. The SCC unit ties directly to solid state outputs from PLC's, Robots or other Controllers. The LED-STACK simply shows the on or off status of the Output that it is connected to.

The new Model 4003 has been developed for customer applications that prefer low current, Super Bright LED's and a shorter version of the Model 4000.

Specifications...

Mounting: 3/4 inch NPT Conduit

Colors: Red, Yellow, Green, Blue, White (Incandescent Bulbs)

Power Usage: 0.10 Amp per section at 24 VDC
(Blue 0.20 Amp per section)
0.05 Amp per section at 120 VAC
(Blue 0.10 Amp per section)

Wiring: Each Section pre-wired with 2 wires, 12 feet long

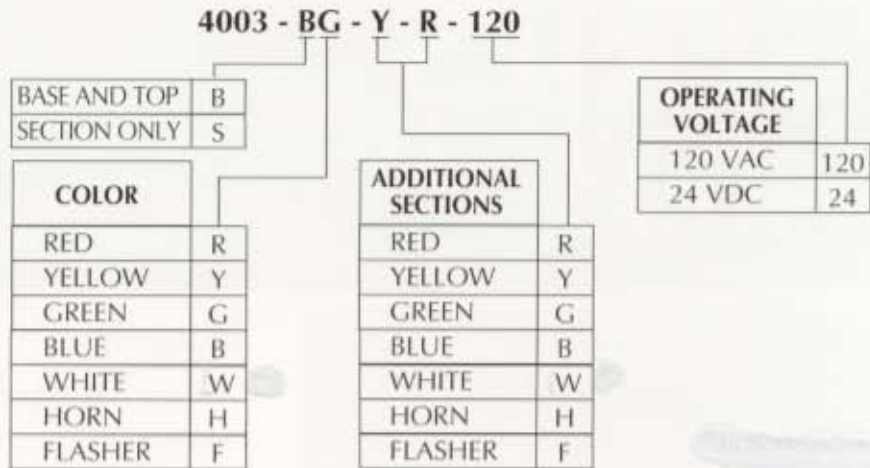
Dimensions: Shown on back page

Features...

- NEW! Blue Section Available
- More Compact Than The Model 4000
- Low Maintenance
- Easy Mounting
- Simple Control
- Stackable
- No Loose Hardware
- Low Energy Use
- Super Bright LED's

How to order...

For correct ordering, a base unit is ordered with the correct color and voltage requirements. Then, additional sections with the desired colors are added. An assembly may be stacked together in the field or, ordered as complete assembly, which is built at the factory. The required mounting hardware is included with the Base or Section that is ordered. The installer needs to provide the 3/4 inch NPT conduit for mounting the LED-STACK. AC and DC Sections may be assembled into a single stack.



Examples...

SINGLE UNIT 4003-BR-24	ONE SECTION WITH BASE UNIT, RED, 24 VDC OPERATION
PRE-ASSEMBLED MULTI-SECTION 4003-BG-Y-R-120	THREE SECTIONS WITH BASE UNIT GREEN, MIDDLE-YELLOW, TOP-RED, 120VAC OPERATION

To specify a pre-assembled unit, start with the Base unit and then add the sections in the order you would like them built from the bottom to the top.

Wiring...

ALL SECTIONS PRE-WIRED WITH 12-FOOT LEADS.

120VAC SECTION

	RED	GREEN	YELLOW	BLUE	HORN
WIRE #A	RED	RED/GREEN	RED/YELLOW	RED/BLUE	RED/WHITE
WIRE #B	RED	RED/GREEN	RED/YELLOW	RED/BLUE	RED/WHITE

24VDC SECTION

	RED	GREEN	YELLOW	BLUE	WHITE	HORN
WIRE #A	BLUE/RED	BLUE/GREEN	BLUE/YELLOW	BLUE/BLACK	BLUE/ORANGE	BLUE/WHITE
WIRE #B	BLUE	BLUE	BLUE	BLUE	BLUE	BLUE

Dimensions...

