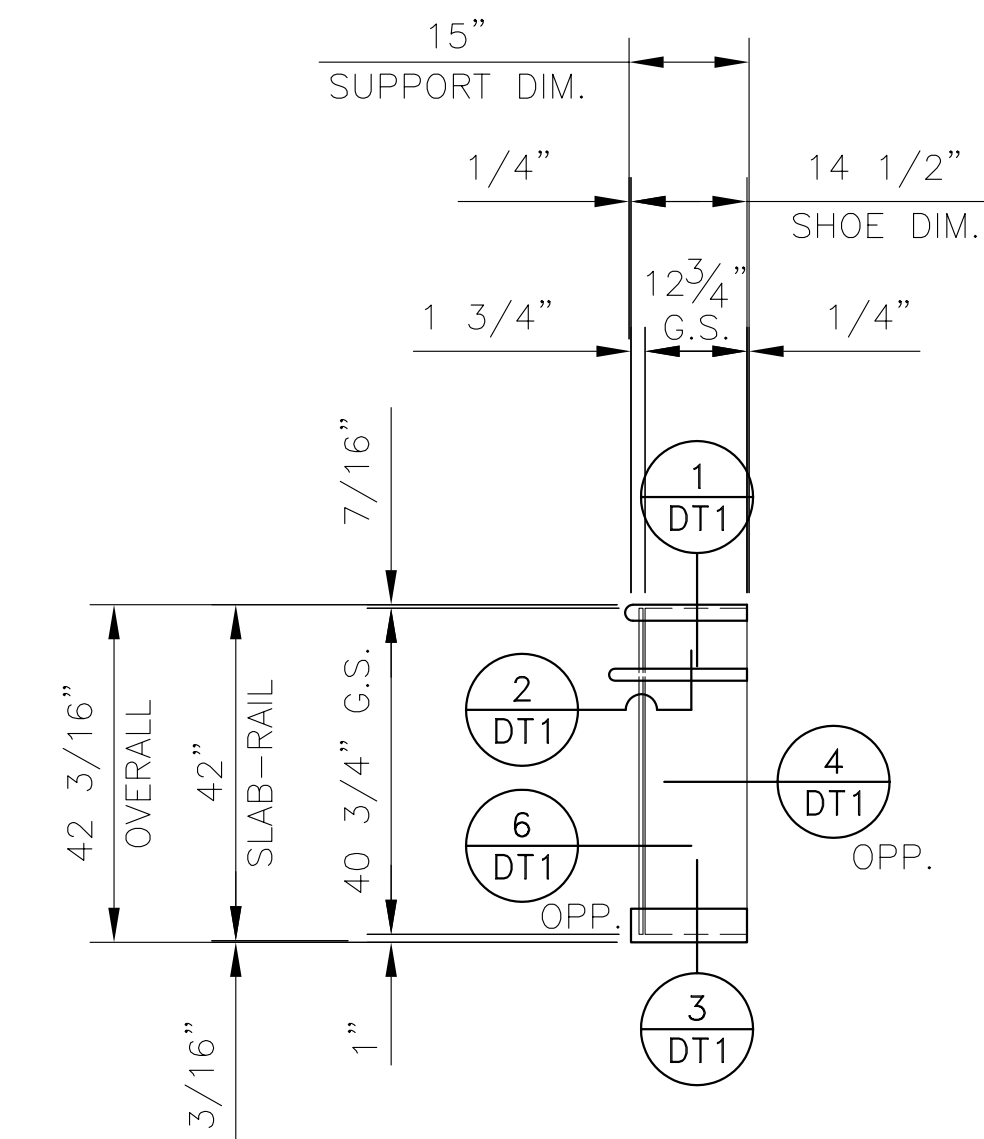
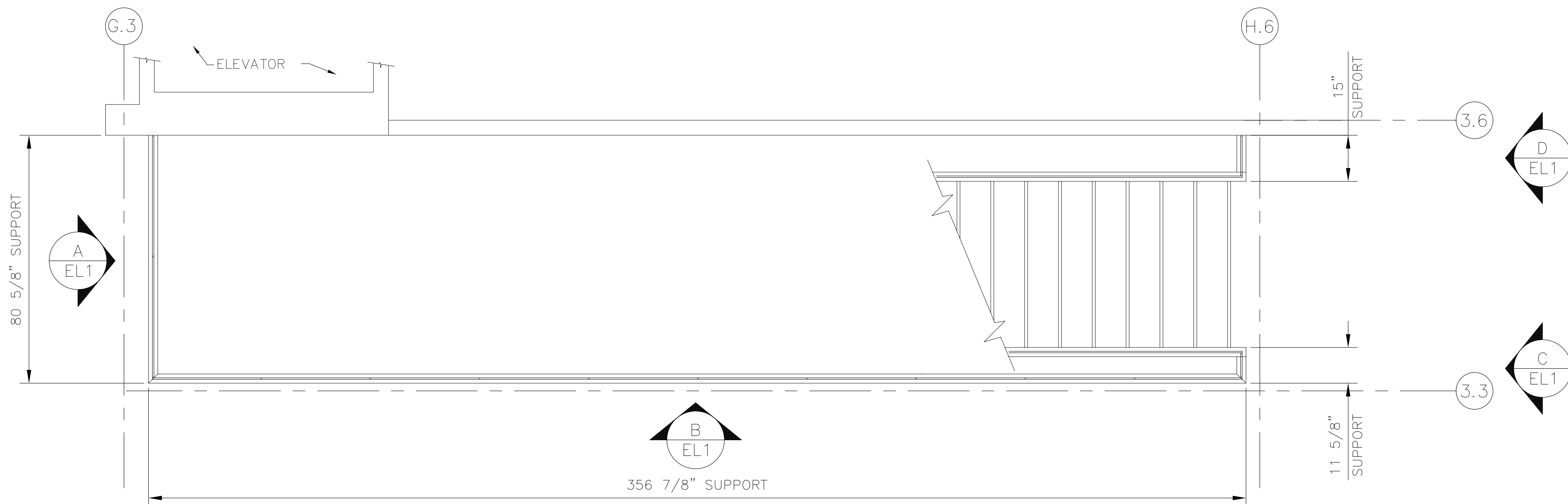
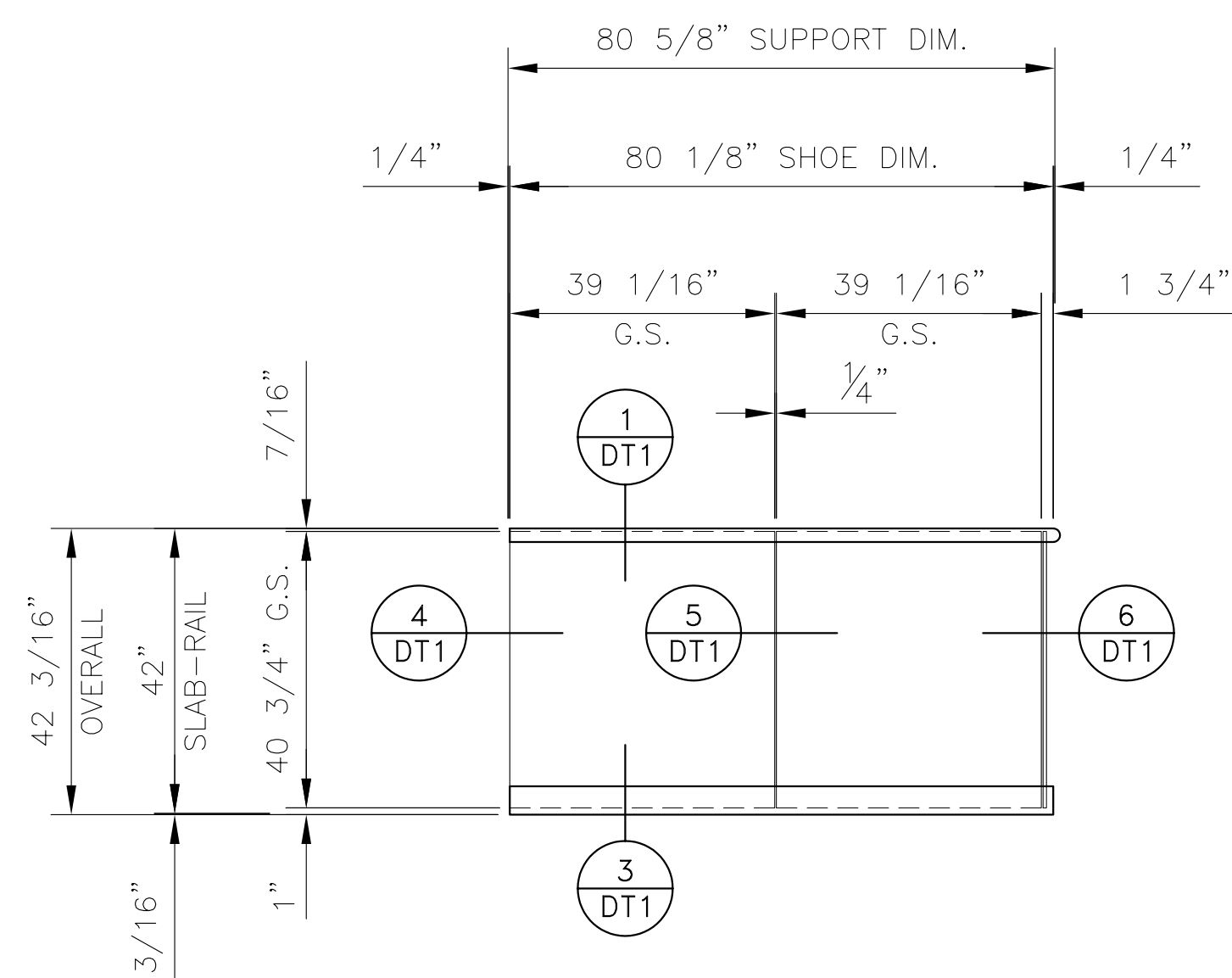


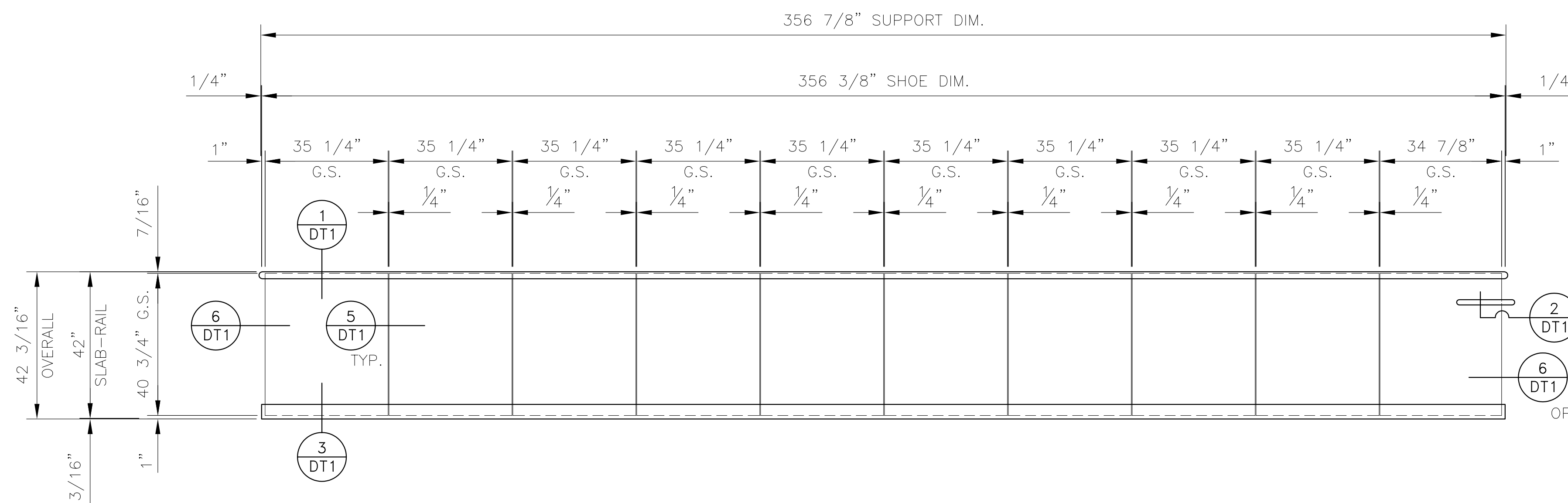
TYPE 'E' (1) REQ'D  
C.R. LAURENCE 1/2" ALL GLASS RAILING



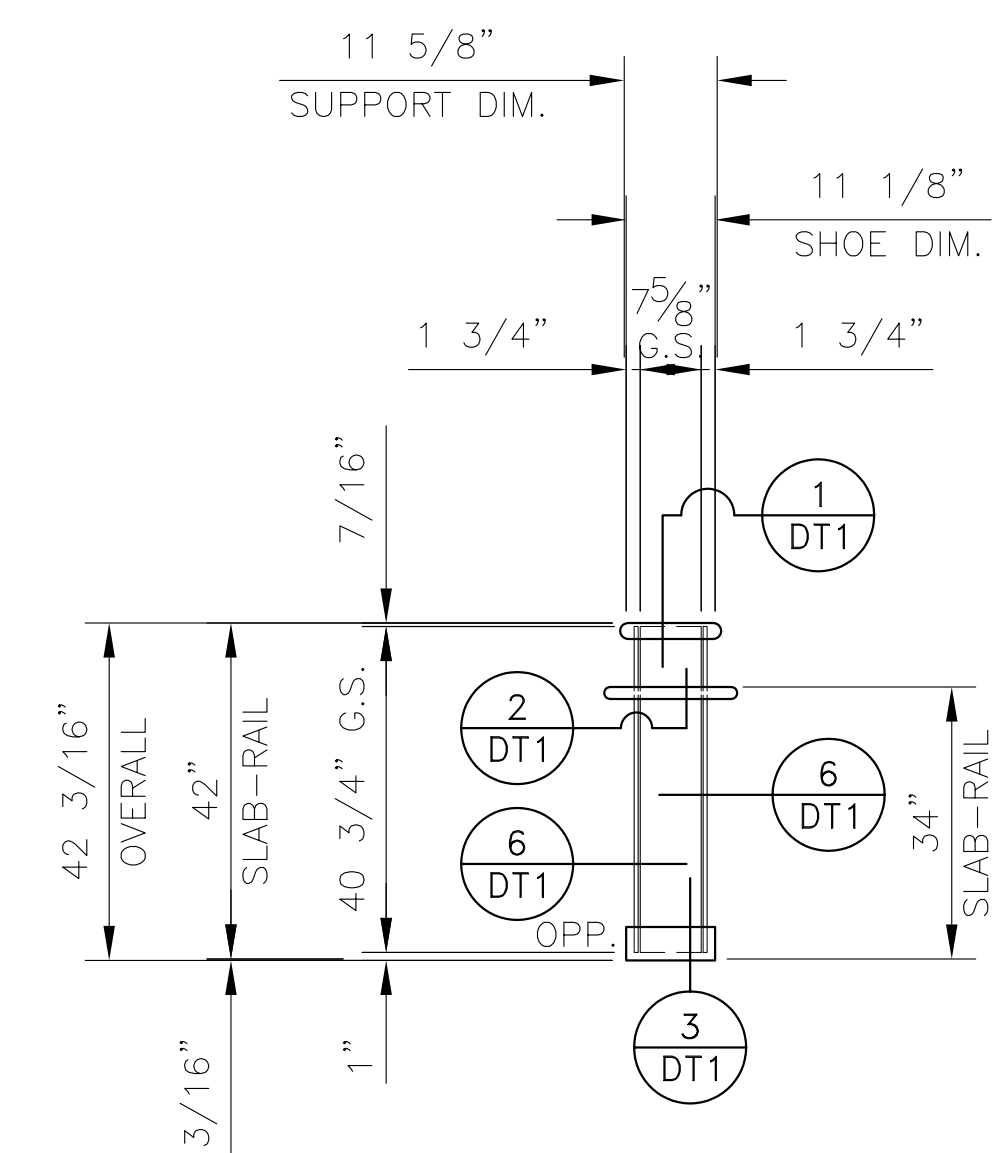
TYPE 'D' (1) REQ'D  
C.R. LAURENCE 1/2" ALL GLASS RAILING



TYPE 'A' (1) REQ'D  
C.R. LAURENCE 1/2" ALL GLASS RAILING



TYPE 'B' (1) REQ'D  
C.R. LAURENCE 1/2" ALL GLASS RAILING



TYPE 'C' (1) REQ'D  
C.R. LAURENCE 1/2" ALL GLASS RAILING

GLAZING CONTRACTOR:

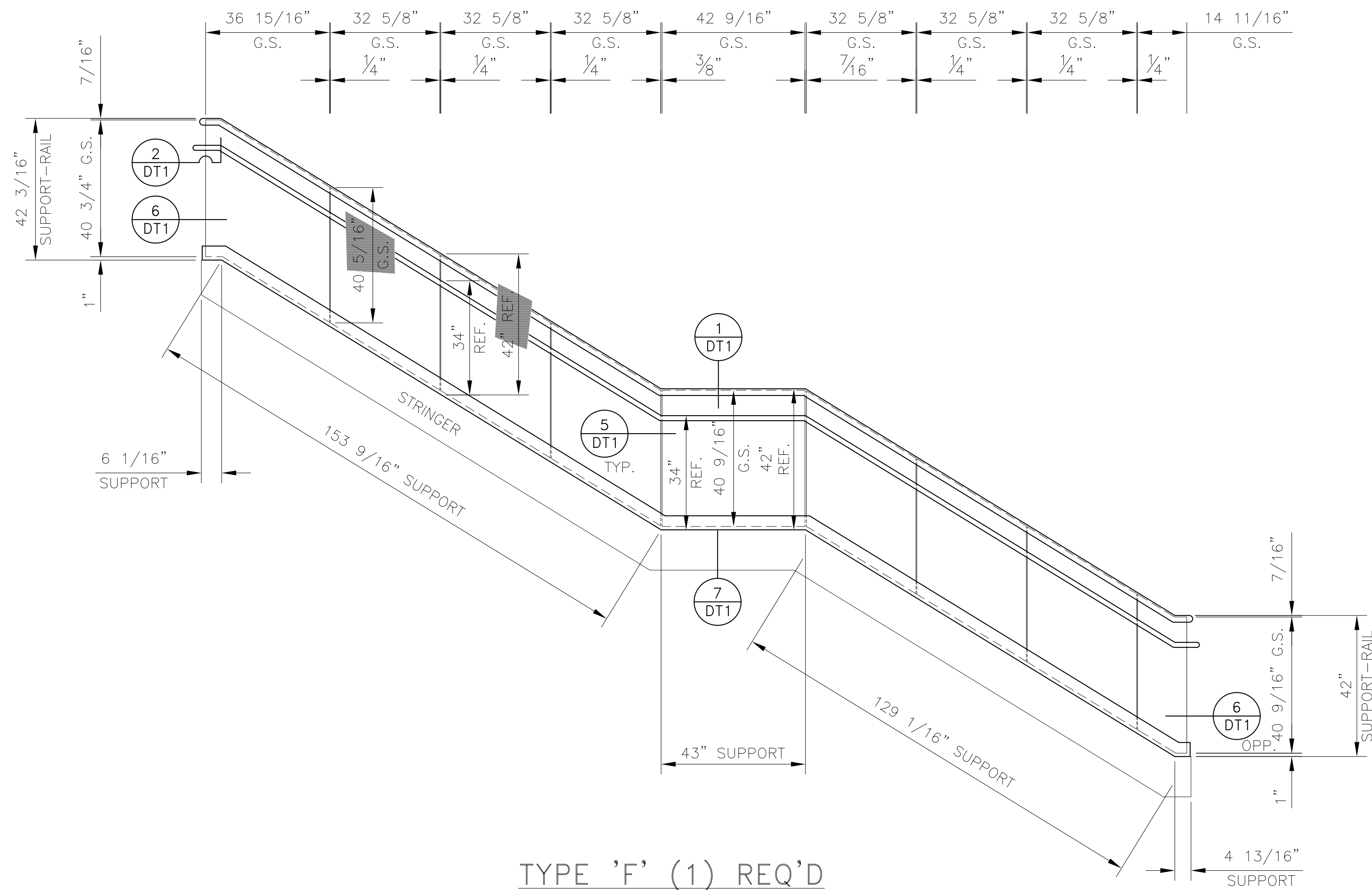
ARCHITECT:  
**Spagnoli & Associates**  
200 High Street  
Boston, MA 02110  
Ph. 617.443.0680  
Fax. 617.443.0689

ELEVATIONS AND PLANS  
PROJECT: ISO NEW ENGLAND - GLASS RAILING  
LOCATION: HOLYOKE, MASSACHUSETTS

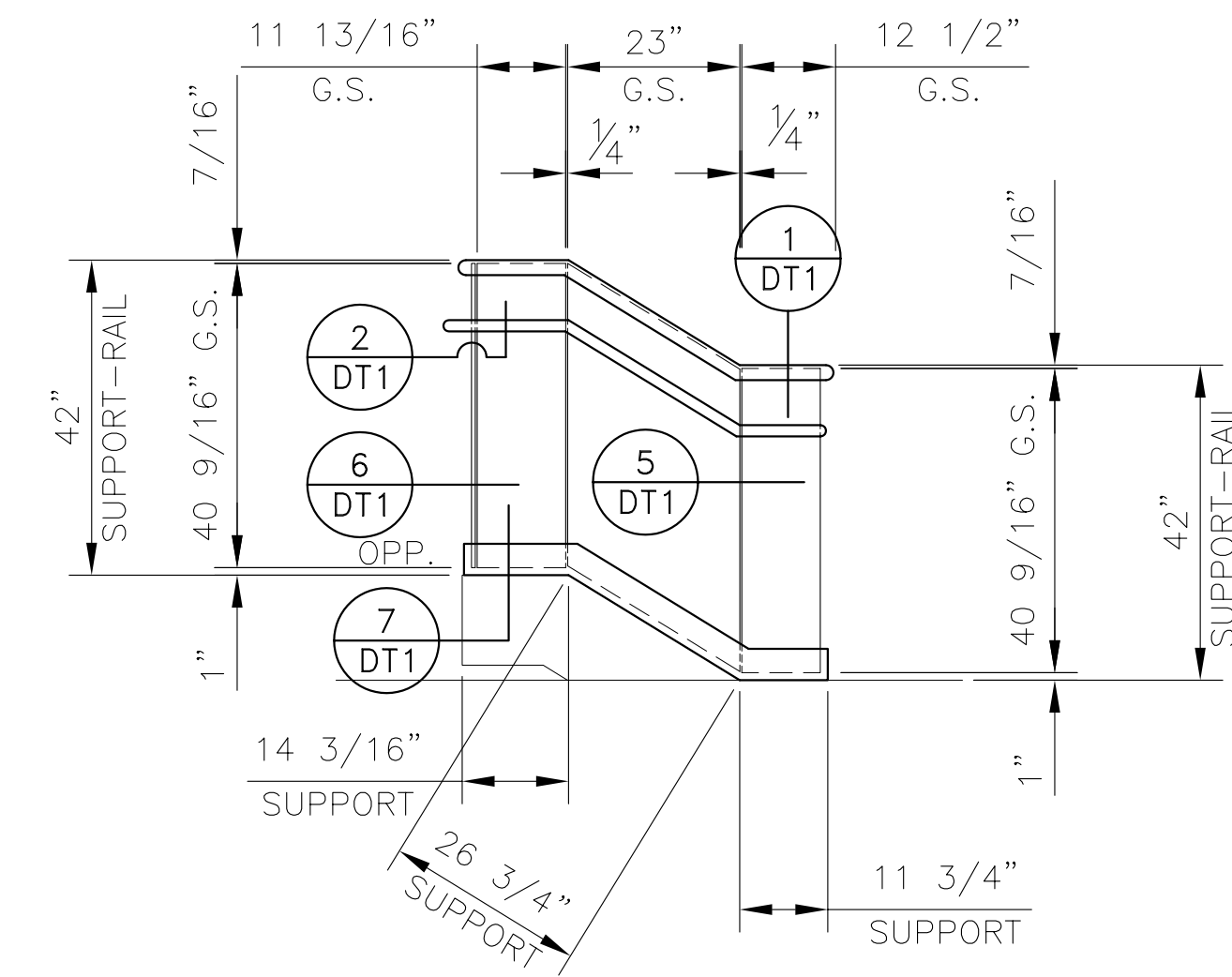
**Glazier's Resource Inc.**  
"New & Smart Glazing Design and Drilling"  
260 NORTH STATE ST., SUITE 10  
CONCORD, NH 03301-5322  
Ph. 603.960.0186  
www.glaziersresource.com

SCALE:  
1/2"=1'-0"  
DATE:  
2/16/06  
PROJECT:  
GR06-0012  
SHEET:

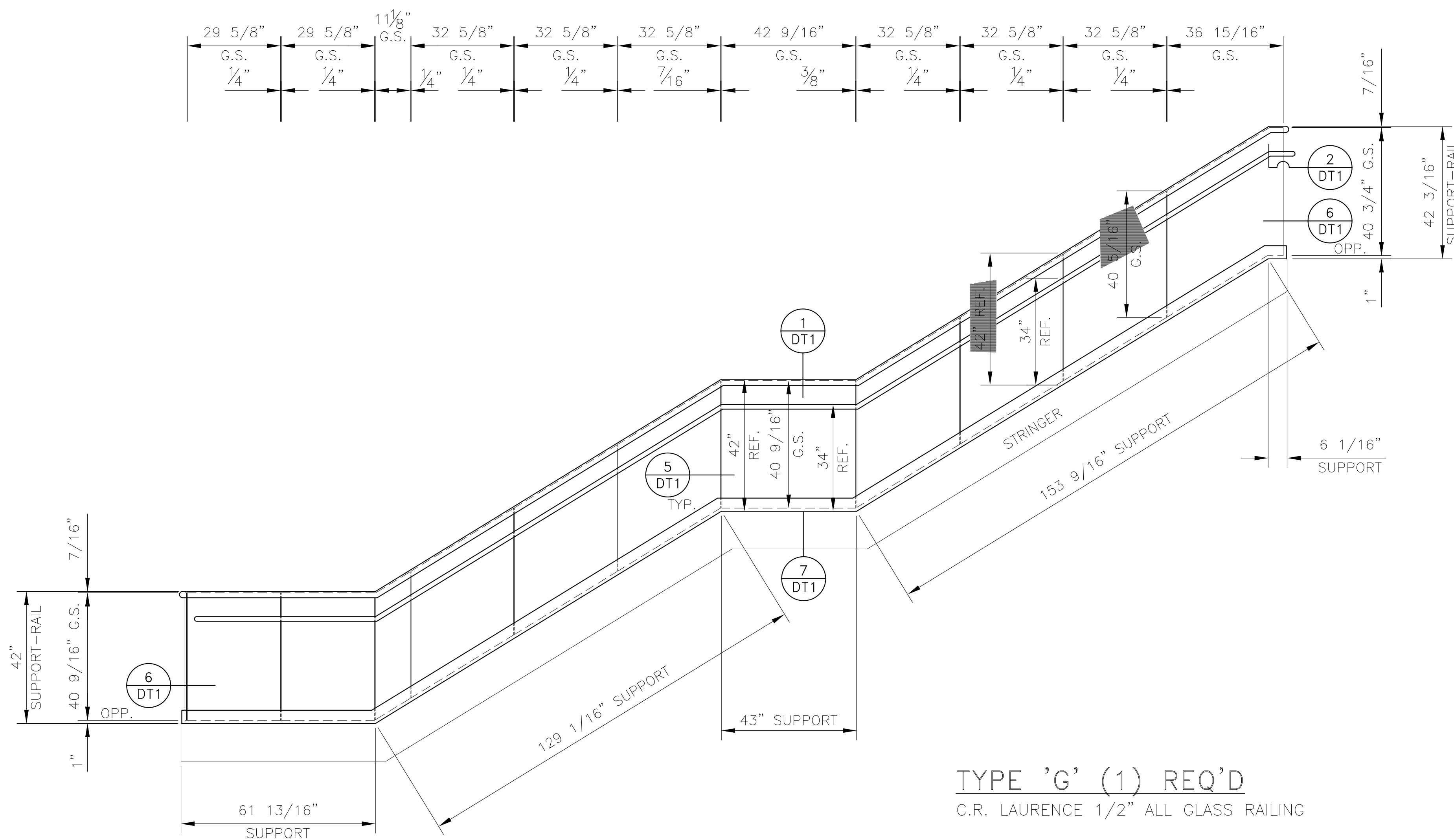
**EL1**



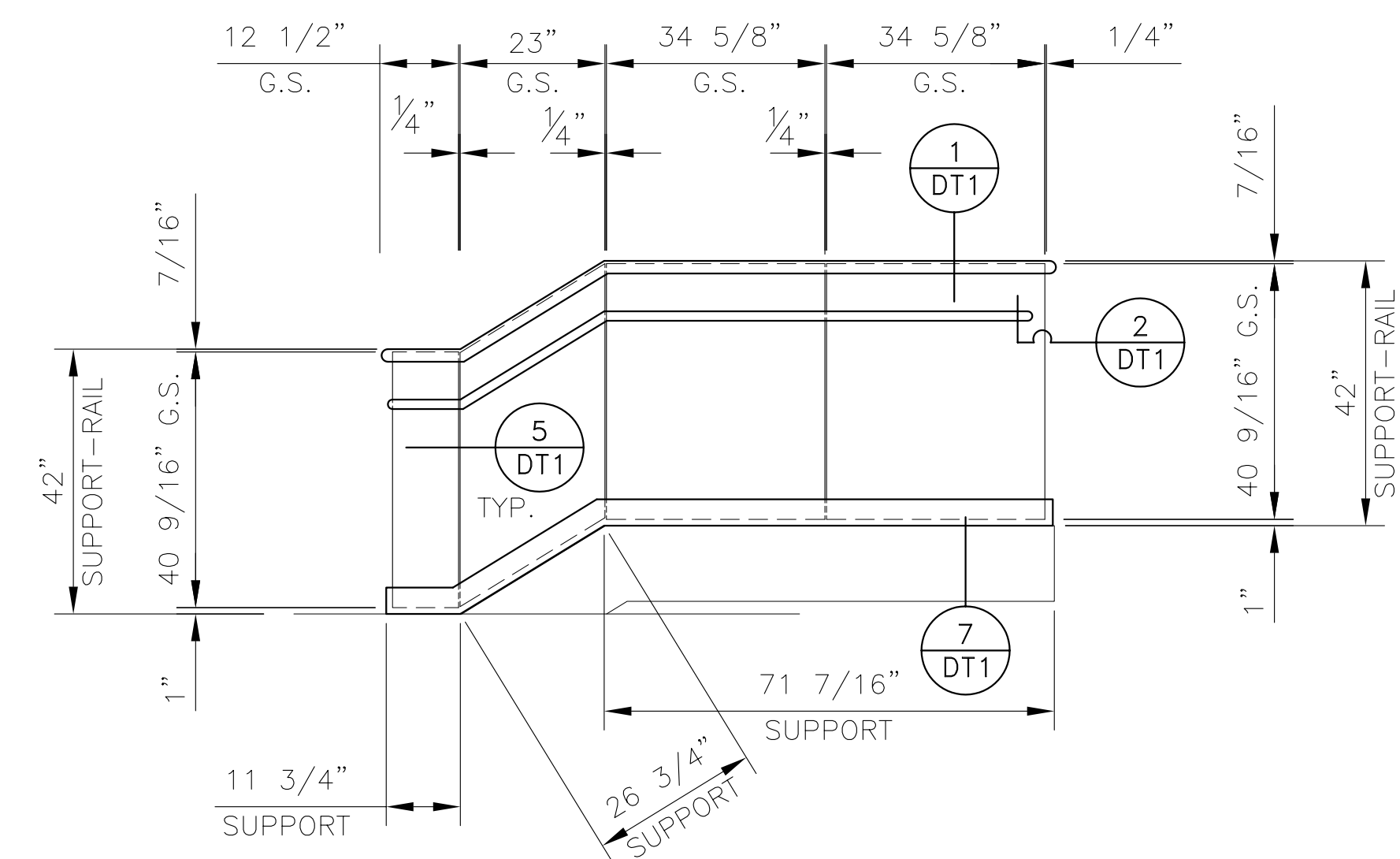
TYPE 'F' (1) REQ'D  
C.R. LAURENCE 1/2" ALL GLASS RAILING



TYPE 'H' (1) REQ'D  
C.R. LAURENCE 1/2" ALL GLASS RAILING



TYPE 'G' (1) REQ'D  
C.R. LAURENCE 1/2" ALL GLASS RAILING



TYPE 'J' (1) REQ'D  
C.R. LAURENCE 1/2" ALL GLASS RAILING

GLAZING CONTRACTOR:

ARCHITECT:  
Spagnoli &  
Associates  
200 High Street  
Boston, MA 02110  
Ph. 617.443.0680  
Fax. 617.443.0689

ELEVATIONS AND PLANS  
PROJECT: ISO NEW ENGLAND - GLASS RAILING  
LOCATION: HOLYOKE, MASSACHUSETTS

Glazier's  
Resource  
Inc.  
New & Repair For Glass, Design and Drapery  
218 NORTH STATE ST., SUITE 118  
CONCORD, NH 03301-5322  
Ph. 603.860.0186  
www.glaziersresource.com

SCALE:  
1/2"=1'-0"  
DATE:  
2/16/06  
PROJECT:  
GR06-0012  
SHEET:

EL2



