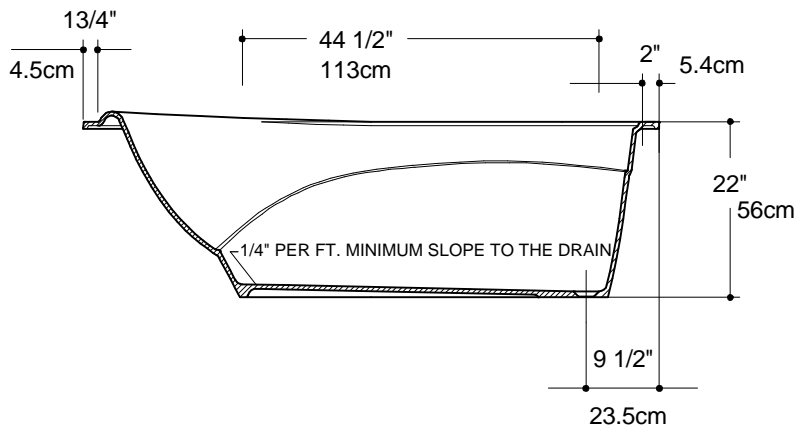
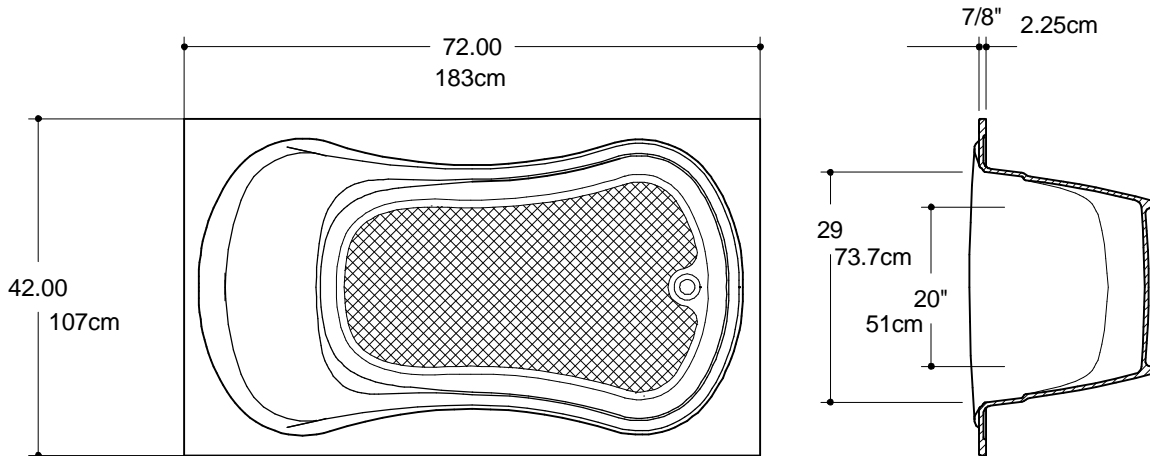


MK53

THE MK 53 IS DESIGNED TO COMPLEMENT THE MKS 51 AND 52 AS A SINGLE BATHTUB VARIANT.



MOLD PART	CATALOG No.	DESCRIPTION
MALE	29053	MK 53 42 X 72 X 22
FEMALE	490538	FFO MK 53
FEMALE	490539	ULFF MK 53 1/2" WALL
INSERT	4905391	ULFF MK 53 INSERT
NAME	MK 53 BATHTUB 42" X 72" X 22" (107cm X 183cm 56cm)	
CAST WEIGHT	SCALE 1/2" = 1' 0"	DATE 8-30-02 PAGE No. T-47