

**Range of application:**

Mainly in butcher shops and meat processing factories. Can be used to take temperature measurement and as limit value alarm. Equipped with interface RS 485 for networking of several plants. Recording, documentation and filing see also VisuNet and VisuNet2.  
Quality control according to ISO, IFS, HACCP.

**Function:**

**Temperature control** with upper-/lower value control

**Administrator PIN** allows only certain people access to the controller, e.g. for cleaning processes, shut-down and start of operation

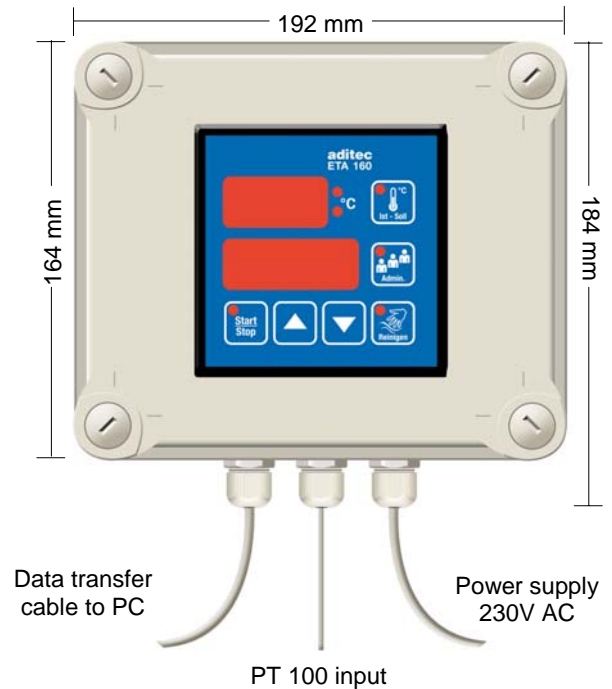
**Temperature control (K1):** heating + cooling possible (XP, 2-point or interval) K1 can also be set as an operational relay

**Alarm or second heating contact (K2):**

- Exceeding the first upper-/lower value:  
the alarm relay works in the set pulsing (2 sec. on and 4 sec. off can be set)
- Exceeding the second upper-/lower value:  
alarm relay in continuous operation
- Second heating contact: for 2-level heating

**Temperature range:**

- Temperature can be set from -30°C up to +300°C  
Min. setpoint limit can be set from -30°C up to +50°C / max. setpoint limit from 0°C up to +300°C
- Measurement range from -40°C up to +390°C
- You can set the upper- and lower limit value alarms for the temperature



**Technical data**

**Mechanical data**

Casing: DIN 43700  
Front frame 96 x 96 mm  
Mounting dims. 90 x 90 mm  
Mounting depth 60 mm  
with terminals 80 mm  
reinforced fibre-glass Noryl,  
shock-resistant, black colour,  
temperature-resistant up to 110°C  
(low-flammability)  
Own weight: 600 g

**Overall dimensions casing:**

wide x height 192 x 164 mm  
with connection terminals 192 x 184 mm  
depth 104 mm

**In-/outputs**

Inputs: 1 Pt100, two-wire circuit,  
can be digitally aligned  
Outputs: 2 relay outputs,  
switching capacity 250V AC/5A  
potential free, of which  
1 change-over contact for signal  
and leading contact respectively  
1 closer for heating, cooling  
or operation  
Serial interface: RS 485  
(prepared for VisuNet)

**Optionen:**

- aditec VisuNet quality control (SVN)

**Electrical data**

Operating voltage: standard: 230V 50/60Hz +/-10%  
Special design: 24/42/48/110/127/240 V  
Own consumption: ca. 6 VA  
Degree of protection on front side: with rubber seal **IP 65**  
Connections: connection terminals up to 1,5 mm<sup>2</sup> (detachable)  
Permissible ambient temperature: -10/+70°C

**Displays**

- digital (7-segment display, red)  
Height of numbers: 14 mm  
3-digit for temperature  
4-digit for administrator PIN  
Resolution: 1°C or 0,5°C  
Switching status display: light-emitting diodes (LED)

**Circuit diagram**

