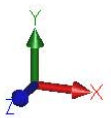
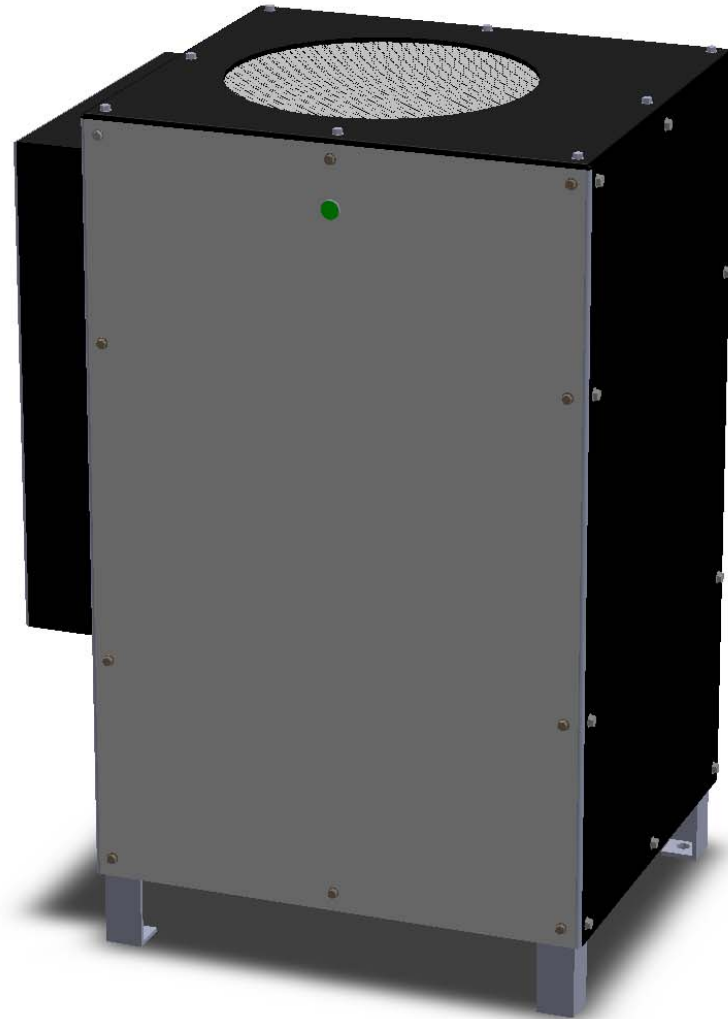
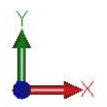


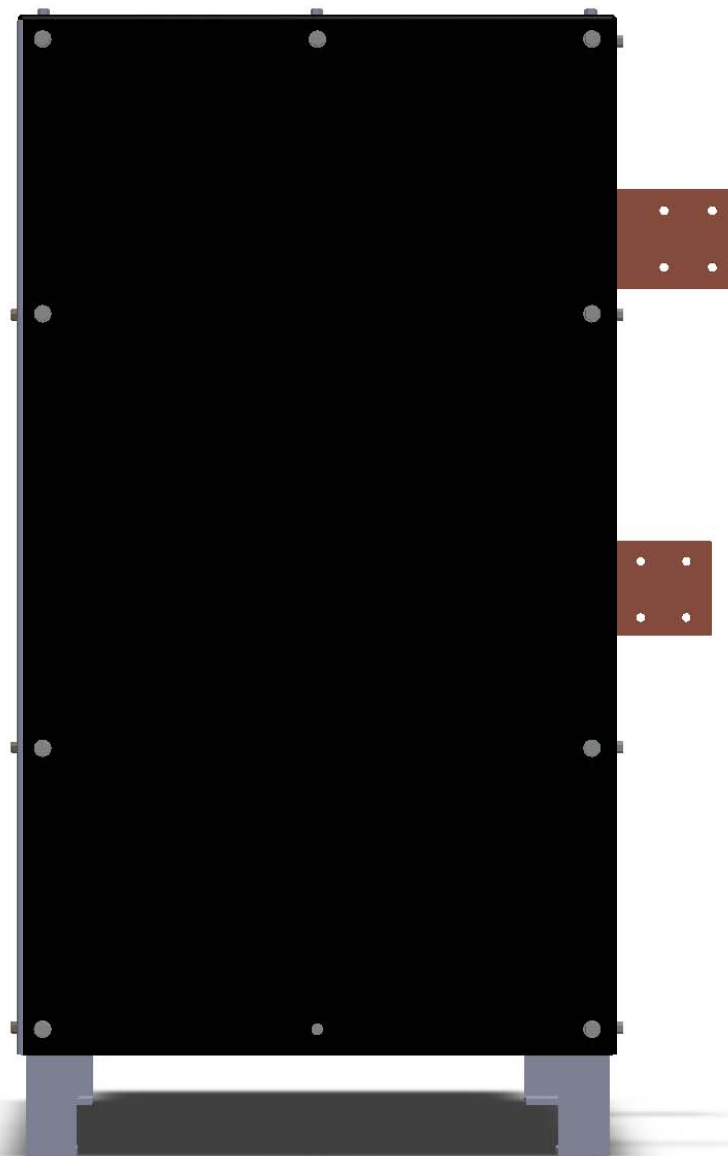
# POLY #5 AIR COOLED CABINET

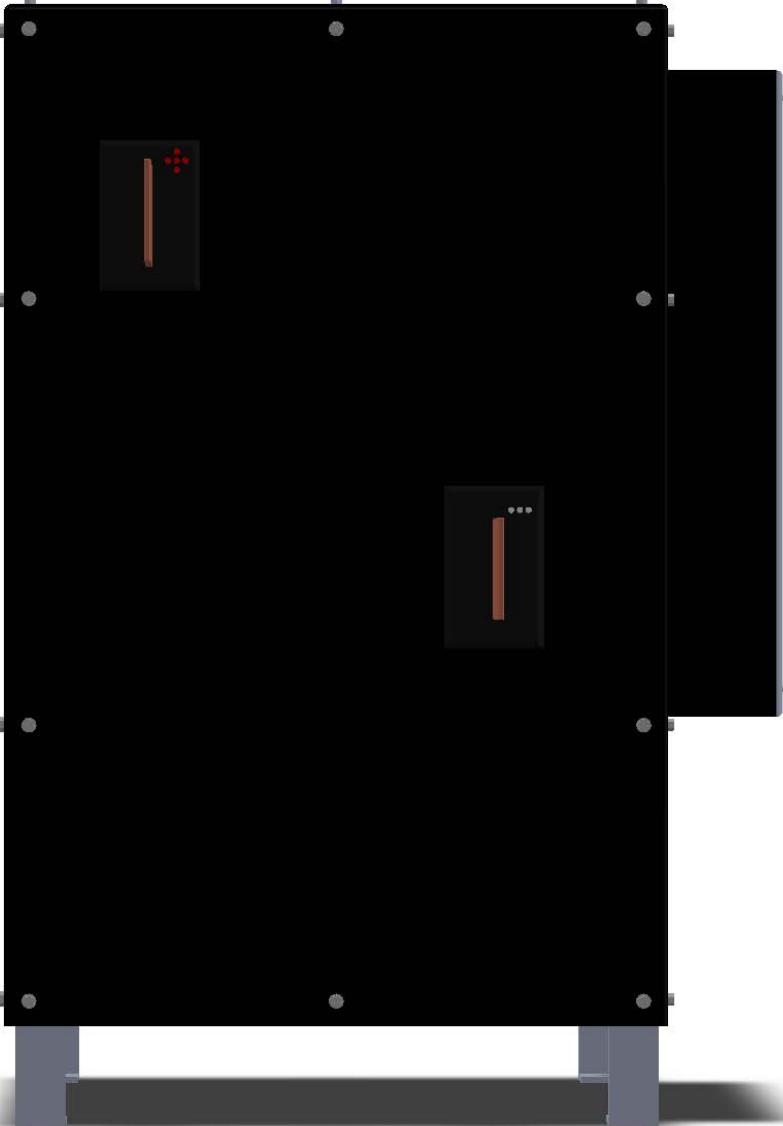


**FRONT**

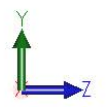
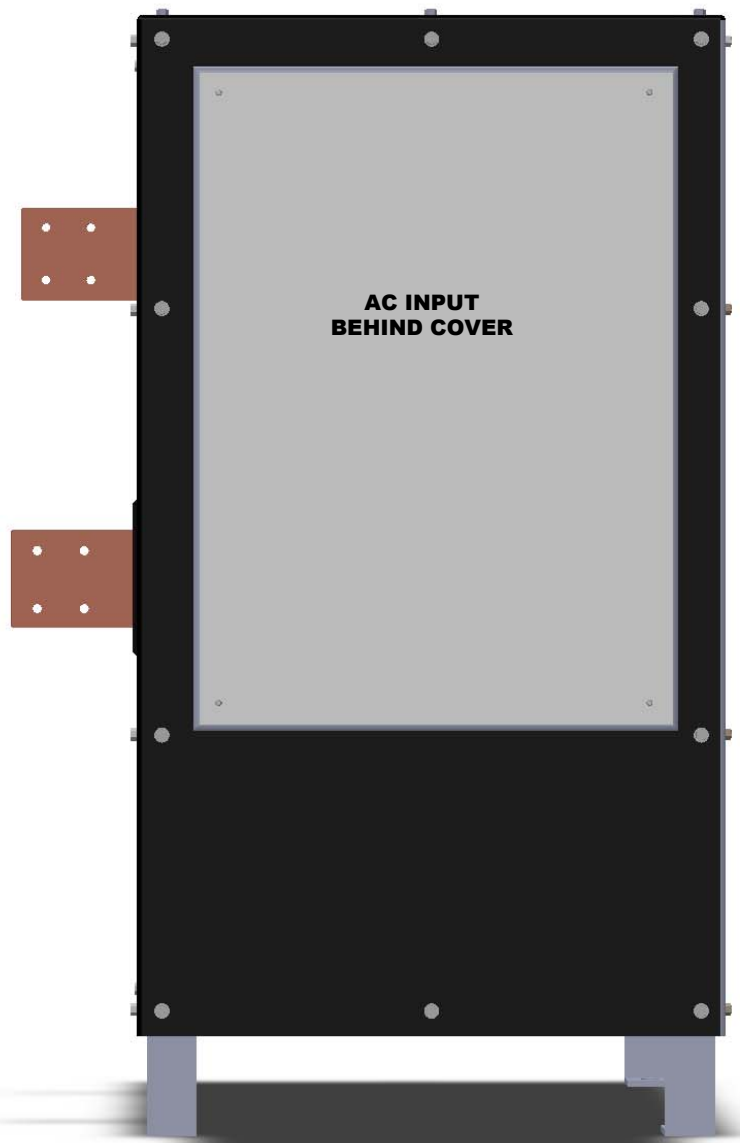


**RIGHT**

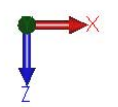
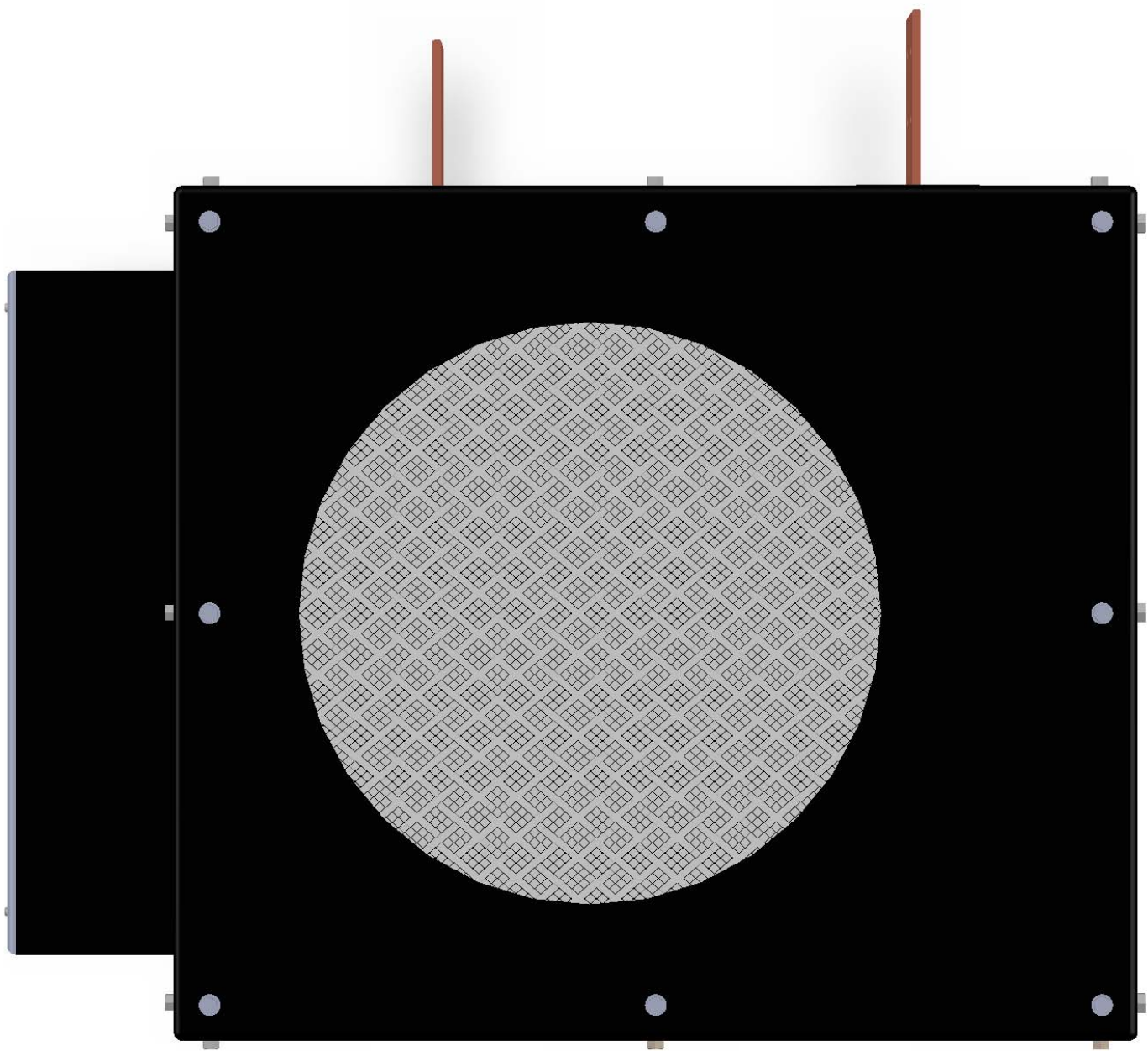


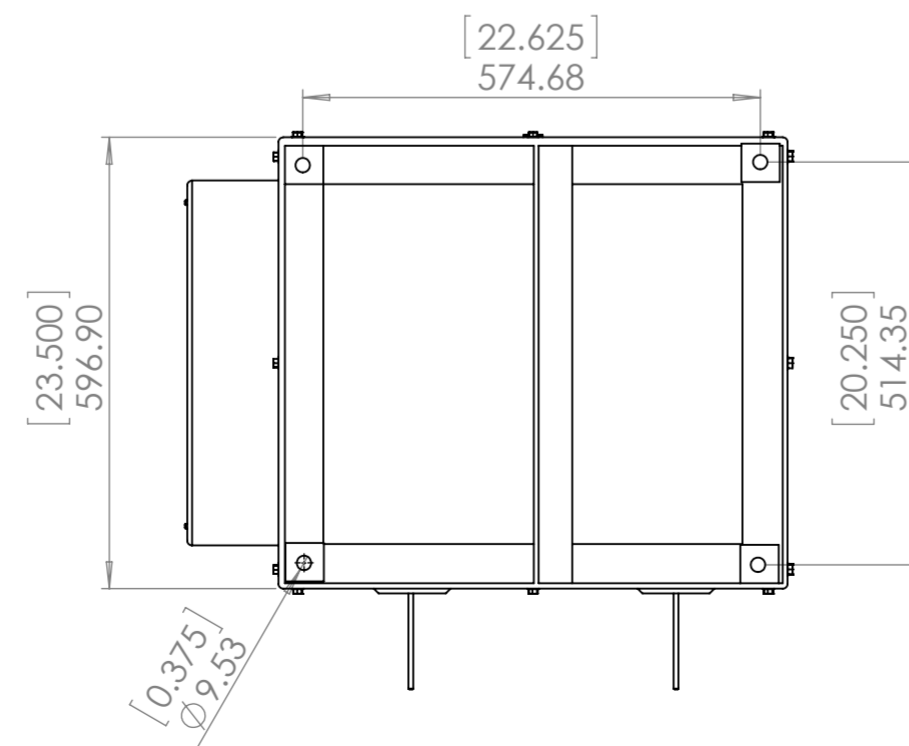
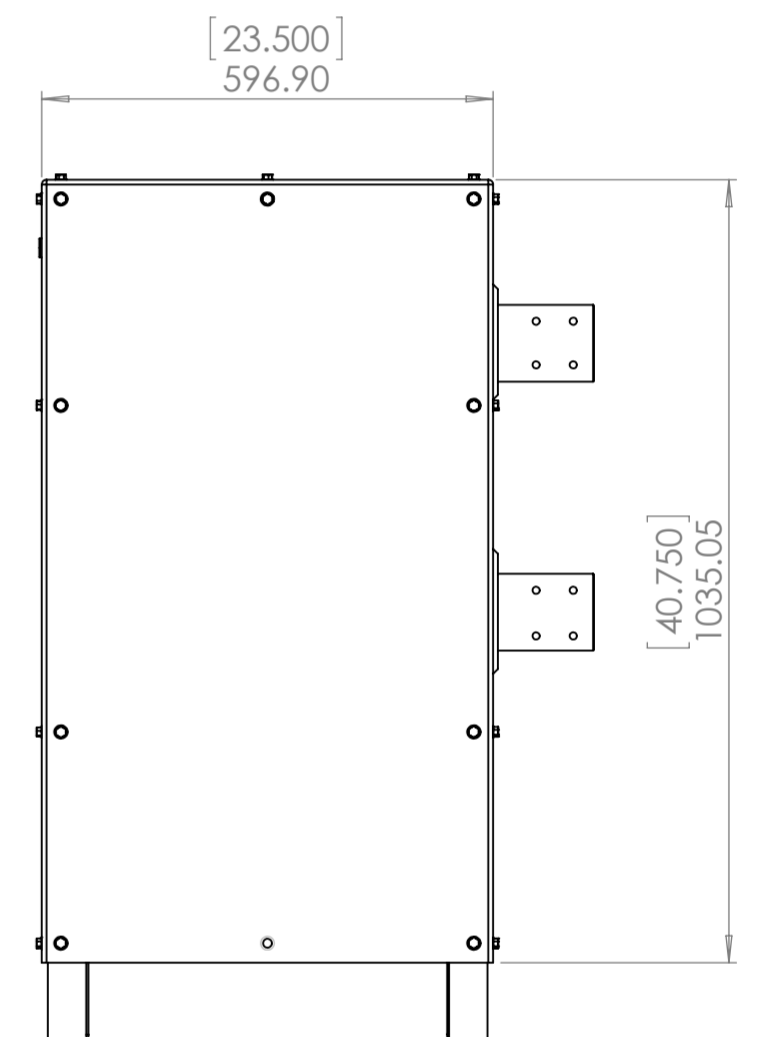
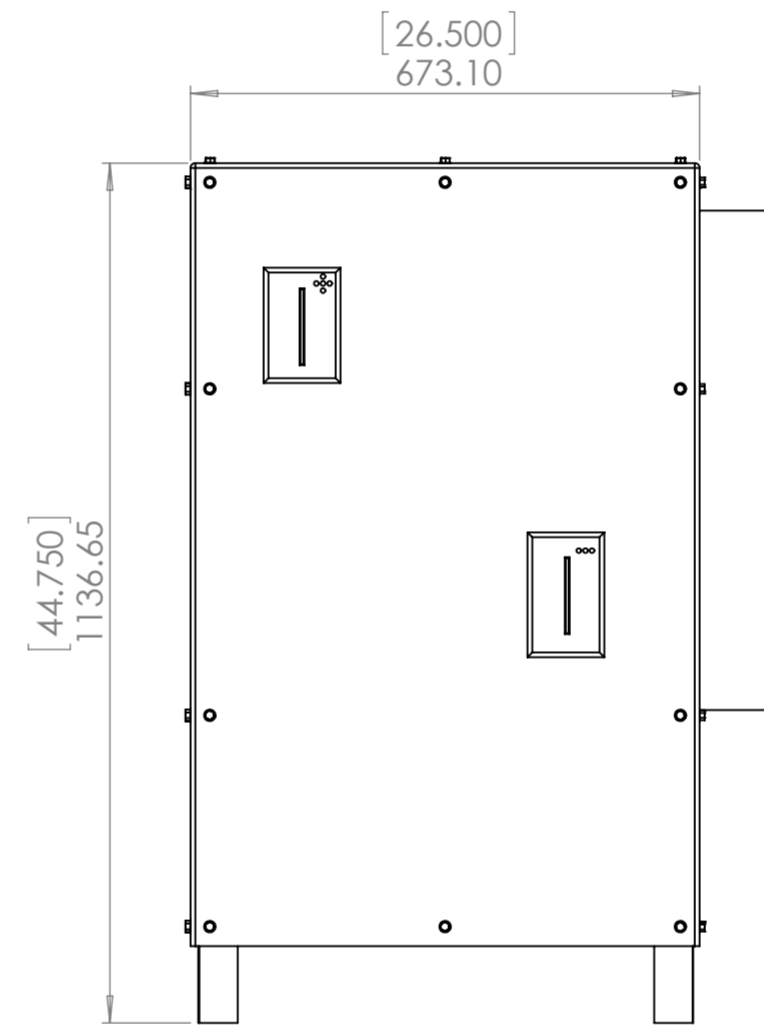
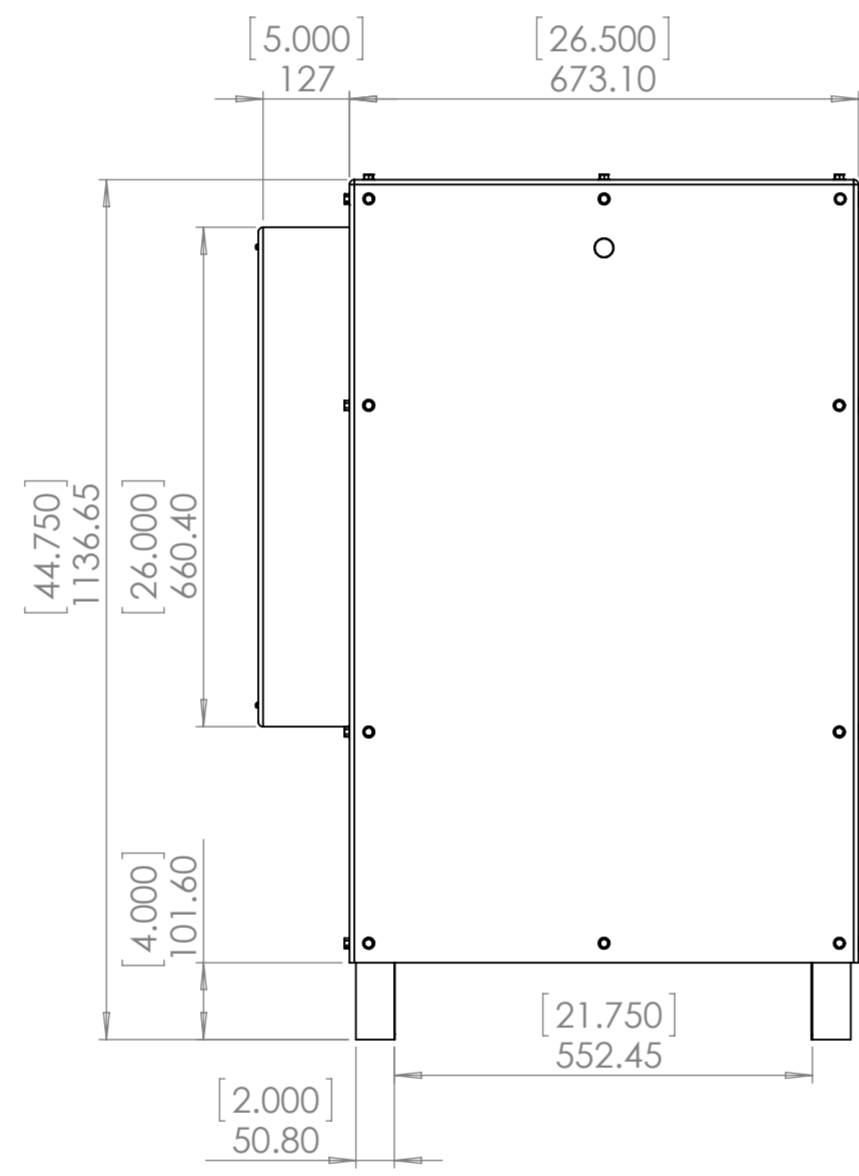
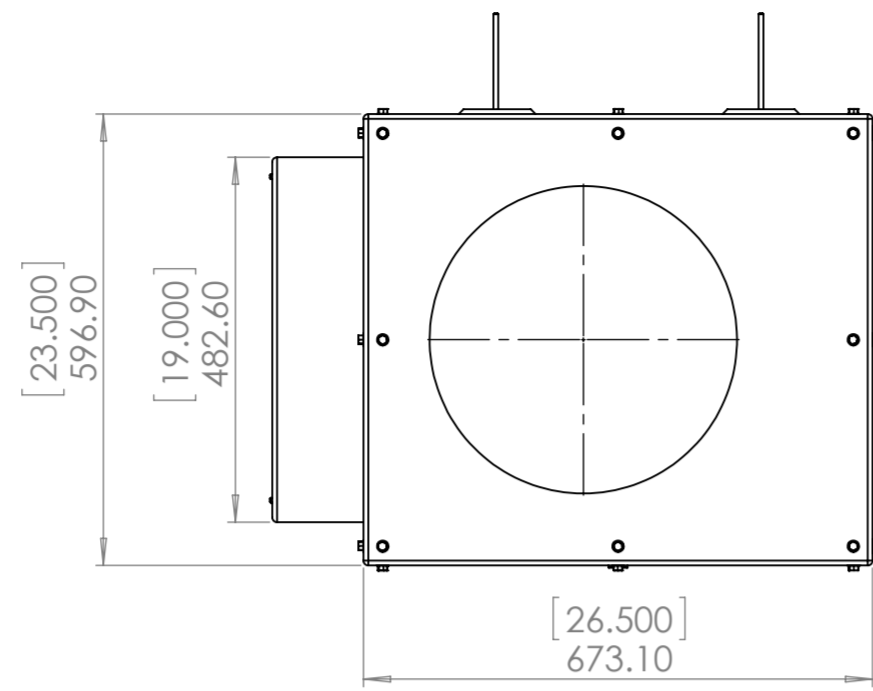
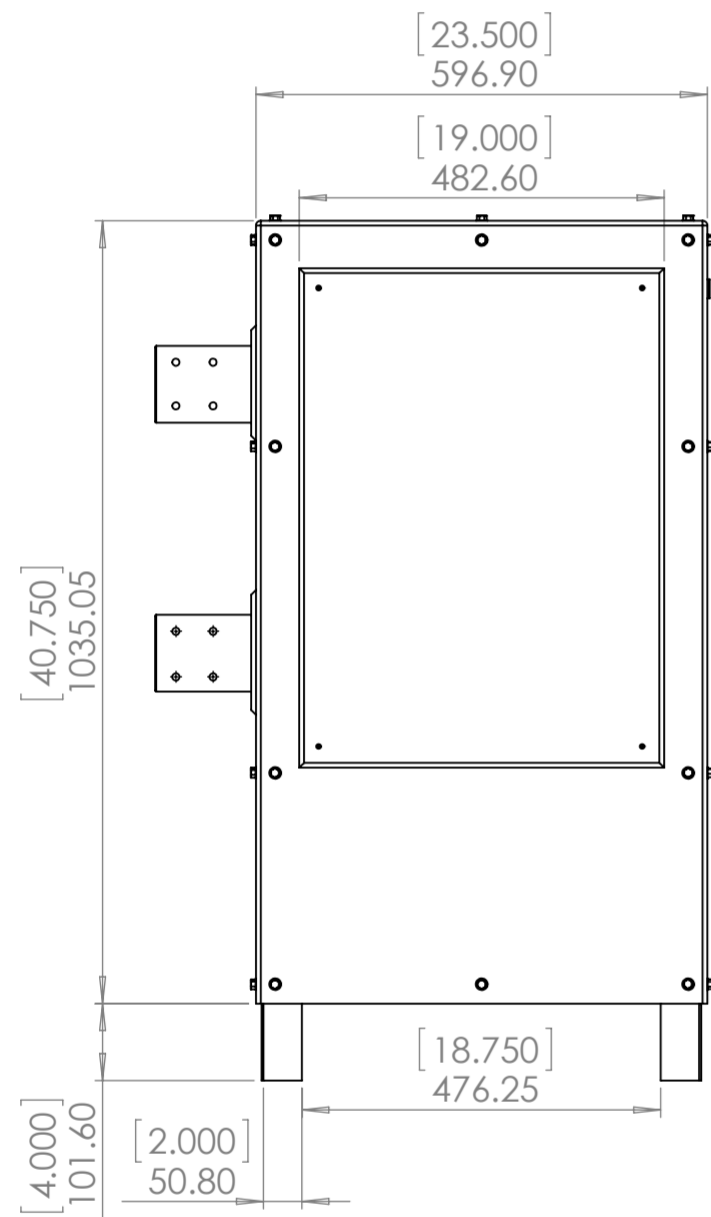


**LEFT**



TOP





UNLESS OTHERWISE SPECIFIED: DIMENSIONS ARE IN MILLIMETERS				FINISH:		DEBUR AND BREAK SHARP EDGES		DO NOT SCALE DRAWING		REVISION	
SURFACE FINISH:								ALDONEX, INC.			
TOLERANCES:								TITLE: ENCLOSURE			
LINEAR:											
ANGULAR:											
DRAWN		NAME		SIGNATURE		DATE					
CHKD		SO				5-31-19					
APPVD											
MFG											
Q.A.								MATERIAL: POLY		DWG NO. P-5A CABINET	
								WEIGHT:		SCALE:1:10	
										SHEET 1 OF 1	
										A2	