

# USA



# N-SERIES

6 CYLINDERS IN LINE – DIESEL CYCLE – COMMON RAIL

## N60 400

@3000 rpm

<b>A1</b>	294 kW (400 HP)
<b>A2</b>	272 kW (370 HP)
<b>B</b>	243 kW (330 HP)
<b>C</b>	199 kW (270 HP)

## N67 450

@3000 rpm

<b>A1</b>	331 kW (450 HP)
<b>A2</b>	309 kW (420 HP)
<b>B</b>	272 kW (370 HP)
<b>C</b>	258 kW (350 HP)

## N67 570

@3000 rpm

<b>A1</b>	412 kW (570 HP)
<b>A2</b>	368 kW (500 HP)
<b>B</b>	331 kW (450 HP)




**Motor-Services Hugo Stamp, Inc.**  
P: (954) 763-3660 | F: (954) 713 -0435  
propulsion@mshs.com | www.mshs.com



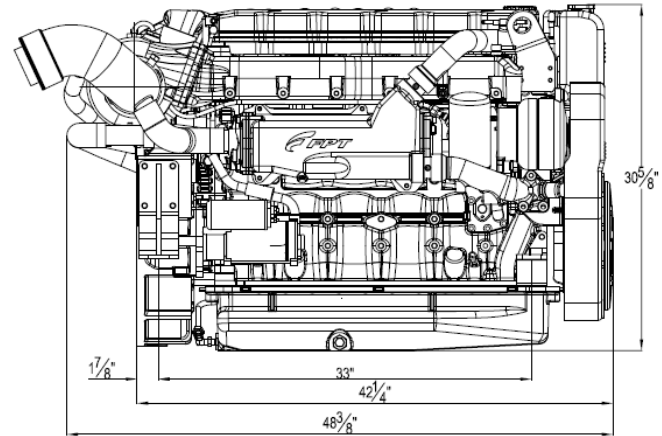
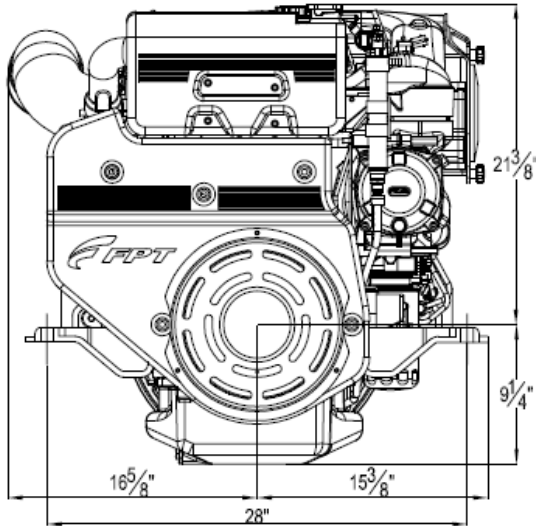
# Technical Data



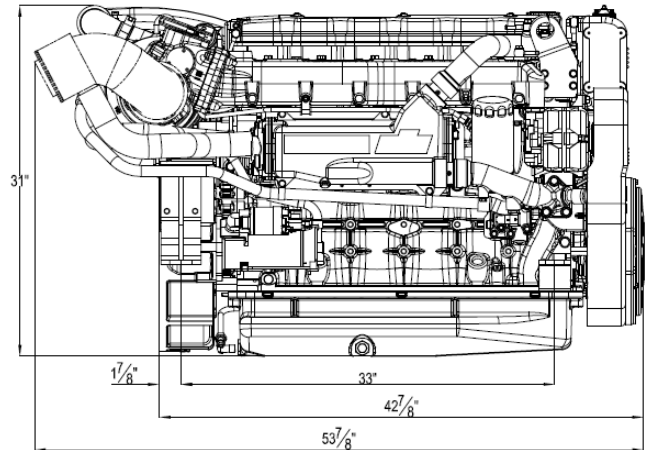
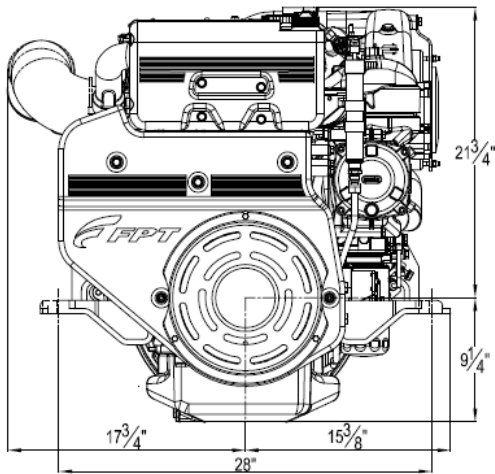
	N60 400	N67 450	N67 570
<b>Total Displacement</b>	5.9l (360.0 cuin)	6.7l (408.9 cuin)	6.7l (408.9 cuin)
<b>Dry Weight (without gear)</b>	1,312 lbs (595 kg)	1,323 lbs (600 kg)	1,433 lbs (650 kg)
<b>Bore x Stroke</b>	102 x 120 mm (4.02 x 4.72 in)	104 x 132 mm (4.09 x 5.20 in)	104 x 132 mm (4.09 x 5.20 in)
<b>Aspiration</b>	TAA		
<b>Direction of Rotation</b>	CCW facing flywheel		
<b>Configuration / Injection System</b>	In-line 6 Cylinder, 4 Stroke Diesel, Electronic Common Rail		
<b>Voltage</b>	12V (24V optional)		
<b>Flywheel Housing</b>	SAE#3		
<b>Flywheel Size</b>	11 ½ in		
<b>Starting motor</b>	12 V – 3 kW		
<b>Alternator</b>	12 V – 90 A		
<b>Painting</b>	White “Ice”		

# Dimensions

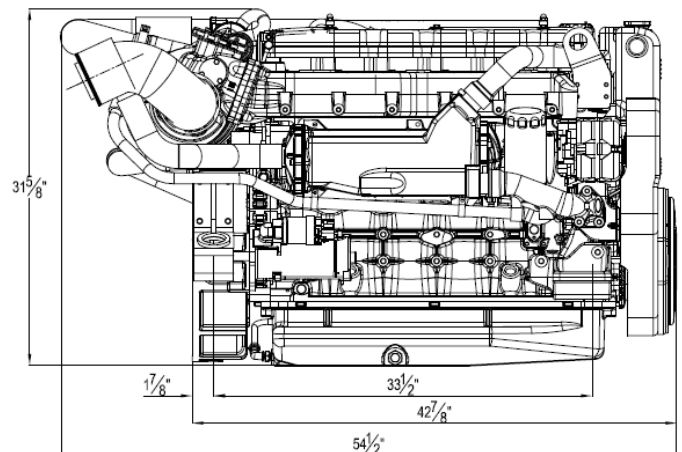
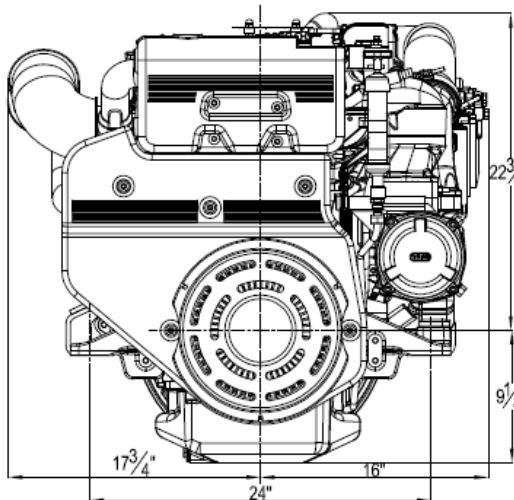
## N60 400



## N67 450



## N67 570



# FPT Marine Engines

for Commercial and Pleasure Craft Applications



FPT - Fiat Powertrain Technologies - is a part the Fiat Group and includes all the activities related to powertrains and transmissions to Fiat Automobiles (Fiat Powertrain), Iveco (Iveco Motors), Centro Ricerche Fiat and Elasis, CASE, New Holland.

FPT focuses on the development of clean, efficient engines, with emphasis on emissions and fuel consumption. FPT is one of the largest diesel engine manufacturers worldwide. Due to the high output of units FPT is able to offer high quality engines at competitive prices!

## Ratings

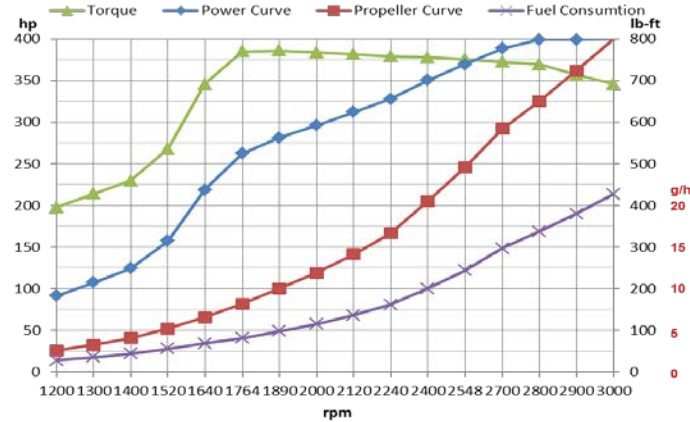
A1	A2	B	C	D
<b>High Performance Crafts</b> 500-1000 hours/year 10% at wide open throttle	<b>Pleasure/ Light Duty Commercial</b> 1000-2000 hours/ year 10% at wide open throttle	<b>Light/ Medium Duty Commercial</b> 1500-3000 hours / year 15% at wide open throttle load factor of up to 50%	<b>Light/ Medium Duty Commercial</b> 3000-5000 hours / year 25% at wide open throttle load factor from 15 up to 75%	<b>Heavy Duty Commercial</b> unlimited hours / year 100 % at wide open throttle Load factor 100%

All ratings: Cruise speed max. 90% of rated rpm

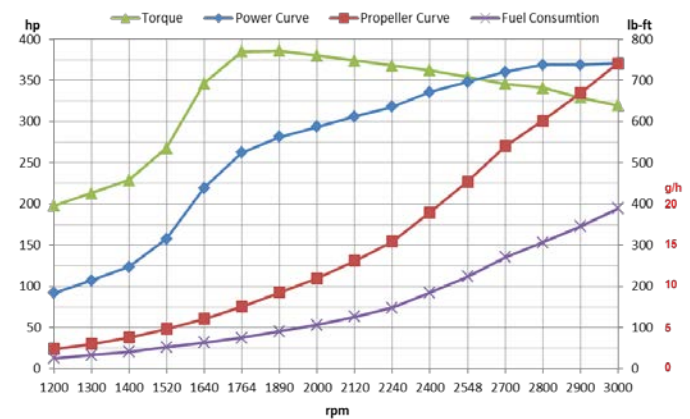
# Power, Fuel and Torque Data\*

# N60 400

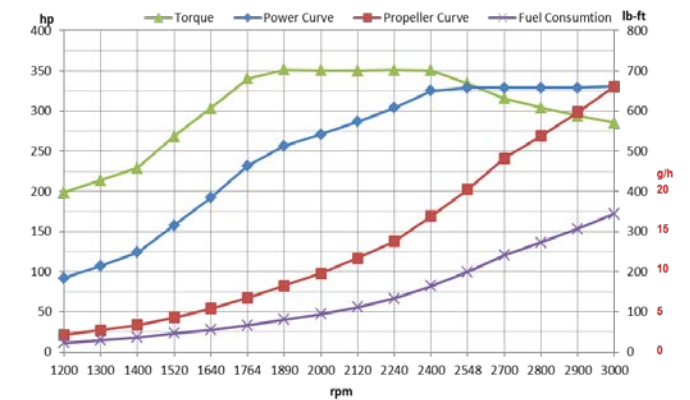
N60 400 - A1 (400 hp @ 3000rpm)							
rpm	POWER CURVE		PROPELLER CURVE		Fuel CURVE		Torque
	kW	hp	kW	hp	be	g/h	lb-ft
3000	295	400	295	400	231	21.4	692
2900	294	399	266	362	227	19.0	713
2800	294	399	239	326	224	16.9	739
2700	286	388	215	292	220	14.8	745
2548	272	370	180	245	215	12.2	751
2400	258	350	151	205	211	10.0	756
2240	241	328	123	167	209	8.1	759
2120	230	312	104	141	208	6.8	763
2000	218	296	87	119	209	5.7	768
1890	207	282	74	100	211	4.9	772
1764	193	262	60	81	216	4.1	771
1640	161	219	48	65	226	3.4	691
1520	116	157	38	52	231	2.8	536
1400	91	124	30	41	232	2.2	460
1300	79	108	24	33	234	1.8	429
1200	67	92	19	26	231	1.4	395



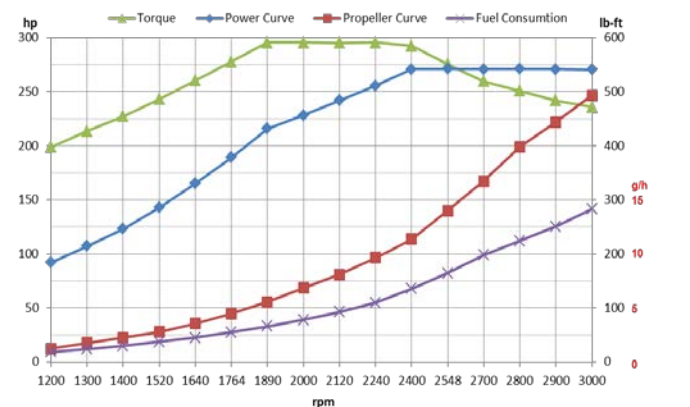
N60 400 - A2 (370 hp @ 3000rpm)							
rpm	POWER CURVE		PROPELLER CURVE		Fuel CURVE		Torque
	kW	hp	kW	hp	be	g/h	lb-ft
3000	272	370	272	370	227	19.4	640
2900	271	369	246	335	223	17.2	658
2800	271	369	221	301	220	15.3	682
2700	265	360	199	270	217	13.5	691
2548	256	348	167	227	213	11.2	708
2400	247	336	139	190	210	9.2	724
2240	234	318	113	154	208	7.4	735
2120	225	306	96	131	208	6.3	748
2000	216	293	81	110	209	5.3	760
1890	207	281	68	93	211	4.5	771
1764	193	262	55	75	216	3.8	770
1640	161	219	45	61	227	3.2	693
1520	116	157	35	48	233	2.6	536
1400	91	124	28	38	234	2.0	457
1300	79	107	22	30	237	1.7	426
1200	67	92	17	24	233	1.3	396



N60 400 - B (330 hp @ 3000rpm)							
rpm	POWER CURVE		PROPELLER CURVE		Fuel CURVE		Torque
	kW	hp	kW	hp	be	g/h	lb-ft
3000	243	331	243	331	225	17.2	571
2900	242	329	220	299	222	15.3	588
2800	242	329	198	269	219	13.6	609
2700	242	329	177	241	216	12.0	632
2548	242	329	149	203	213	10.0	669
2400	239	325	124	169	210	8.2	702
2240	223	304	101	138	208	6.6	702
2120	211	287	86	117	207	5.6	701
2000	199	271	72	98	208	4.7	702
1890	189	257	61	83	210	4.0	703
1764	171	232	49	67	214	3.3	681
1640	141	192	40	54	222	2.8	607
1520	116	158	32	43	232	2.3	537
1400	91	124	25	34	234	1.8	459
1300	79	107	20	27	236	1.5	428
1200	68	92	16	21	232	1.1	397



N60 400 - C (270 hp @ 3000rpm)							
rpm	POWER CURVE		PROPELLER CURVE		Fuel CURVE		Torque
	kW	hp	kW	hp	be	g/h	lb-ft
3000	199	271	201	271	224	14.1	471
2900	199	271	181	247	220	12.5	484
2800	199	271	163	222	218	11.2	502
2700	199	271	146	199	215	9.9	520
2548	199	271	123	167	212	8.2	551
2400	199	271	103	140	210	6.8	585
2240	188	256	84	114	209	5.5	591
2120	178	242	71	96	208	4.6	591
2000	168	228	59	81	208	3.9	591
1890	159	216	50	68	209	3.3	591
1764	139	189	41	56	213	2.7	555
1640	121	165	33	45	217	2.2	521
1520	105	143	26	36	224	1.8	487
1400	90	123	20	28	232	1.5	455
1300	79	107	16	22	234	1.2	427
1200	68	92	13	17	231	0.9	397

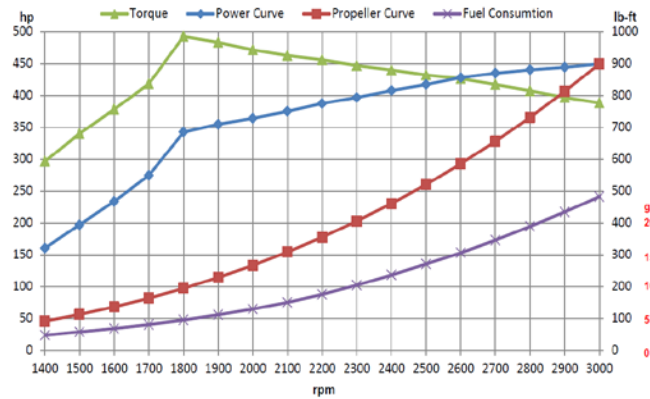




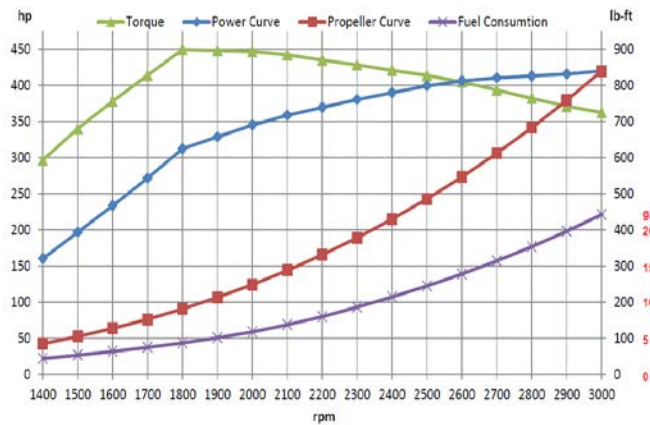
# Power, Fuel and Torque Data\*

# N67 450

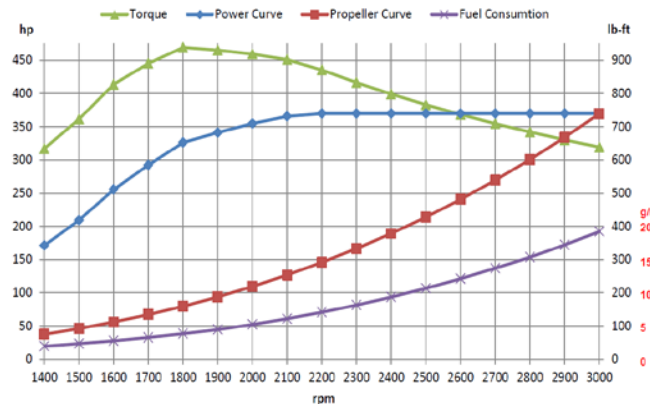
N67 450 - A1 (450 hp @ 3000rpm)							
rpm	POWER CURVE		PROPELLER CURVE		Fuel CURVE		Torque
	kW	hp	kW	hp	be	g/h	lb-ft
3000	331	450	331	450	232	24.1	777
2900	327	445	299	407	231	21.7	794
2800	324	441	269	366	230	19.5	815
2700	320	435	241	328	228	17.3	835
2600	315	428	215	293	226	15.3	853
2500	307	417	192	260	225	13.5	865
2400	300	408	169	230	222	11.8	880
2300	292	397	149	203	218	10.2	894
2200	285	387	131	177	214	8.8	912
2100	276	375	114	154	211	7.5	926
2000	268	364	98	133	210	6.5	944
1900	261	355	84	114	211	5.6	967
1800	252	343	71	97	212	4.8	986
1700	202	275	60	82	214	4.1	837
1600	172	234	50	68	217	3.4	757
1500	145	197	41	56	222	2.9	681
1400	118	160	34	46	224	2.4	594



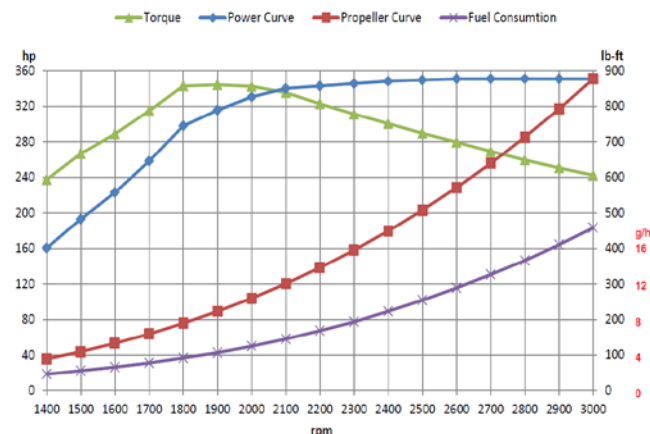
N67 450 - A2 (420 hp @ 3000rpm)							
rpm	POWER CURVE		PROPELLER CURVE		Fuel CURVE		Torque
	kW	hp	kW	hp	be	g/h	lb-ft
3000	309	420	309	420	228	22.1	725
2900	306	416	279	379	226	19.8	743
2800	304	413	251	342	224	17.7	765
2700	302	411	225	306	222	15.7	788
2600	299	407	201	273	220	13.9	810
2500	294	400	179	243	218	12.3	828
2400	287	390	158	215	216	10.7	842
2300	280	381	139	189	213	9.3	857
2200	272	370	122	166	209	8.0	871
2100	264	359	106	144	207	6.9	885
2000	254	345	92	124	205	5.9	894
1900	242	329	78	107	206	5.1	897
1800	230	313	67	91	208	4.4	900
1700	200	272	56	76	213	3.8	829
1600	172	234	47	64	217	3.2	757
1500	145	197	39	53	222	2.7	681
1400	118	160	31	43	224	2.2	594



N67 450 - B (370 hp @ 3000rpm)							
rpm	POWER CURVE		PROPELLER CURVE		Fuel CURVE		Torque
	kW	hp	kW	hp	be	g/h	lb-ft
3000	272	370	272	370	225	19.2	639
2900	272	370	246	334	223	17.2	661
2800	272	370	221	301	221	15.4	684
2700	272	370	198	270	220	13.7	710
2600	272	370	177	241	218	12.1	737
2500	272	370	157	214	216	10.7	766
2400	272	370	139	189	214	9.4	798
2300	272	370	123	167	212	8.2	833
2200	272	370	107	146	210	7.1	871
2100	269	366	93	127	208	6.1	902
2000	261	355	81	110	207	5.2	919
1900	251	341	69	94	206	4.5	930
1800	240	326	59	80	209	3.9	939
1700	215	292	49	67	211	3.3	891
1600	188	256	41	56	215	2.8	828
1500	154	209	34	46	221	2.4	723
1400	126	171	28	38	226	2.0	634



N67 450 - C (350 hp @ 3000rpm)							
rpm	POWER CURVE		PROPELLER CURVE		Fuel CURVE		Torque
	kW	hp	kW	hp	be	g/h	lb-ft
3000	258	351	258	351	226	18.3	606
2900	258	351	233	317	224	16.4	627
2800	258	351	210	285	222	14.6	649
2700	258	351	188	256	221	13.1	673
2600	258	351	168	228	219	11.6	699
2500	257	349	149	203	217	10.2	724
2400	256	348	132	180	215	8.9	751
2300	254	345	116	158	212	7.7	778
2200	252	343	102	138	211	6.7	807
2100	250	340	88	120	209	5.8	838
2000	243	330	76	104	208	5.0	856
1900	232	315	66	89	207	4.3	860
1800	219	298	56	76	210	3.7	857
1700	190	258	47	64	212	3.1	787
1600	164	223	39	53	215	2.6	722
1500	142	193	32	44	221	2.2	667
1400	118	160	26	36	226	1.9	594



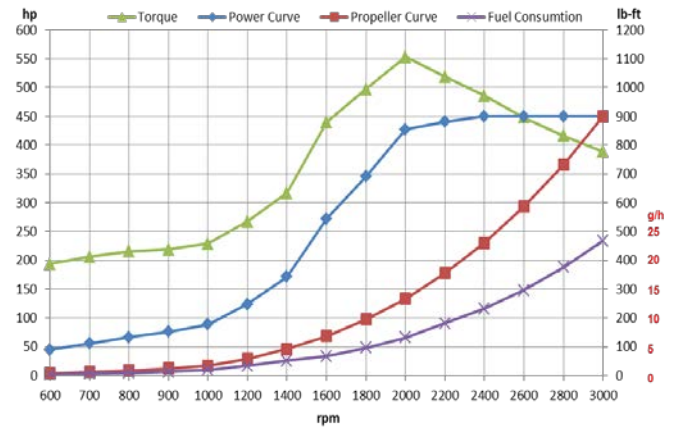
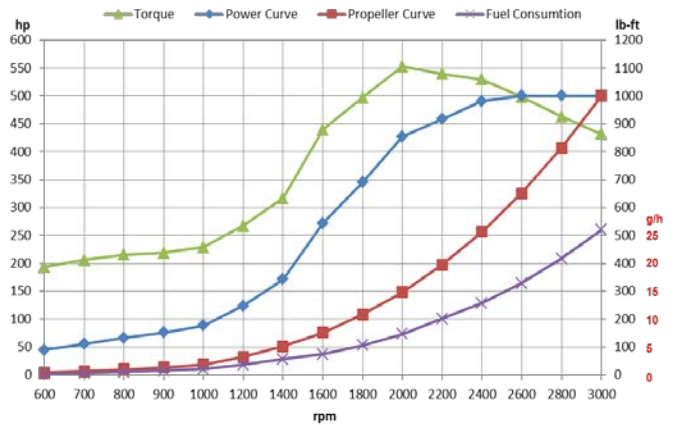
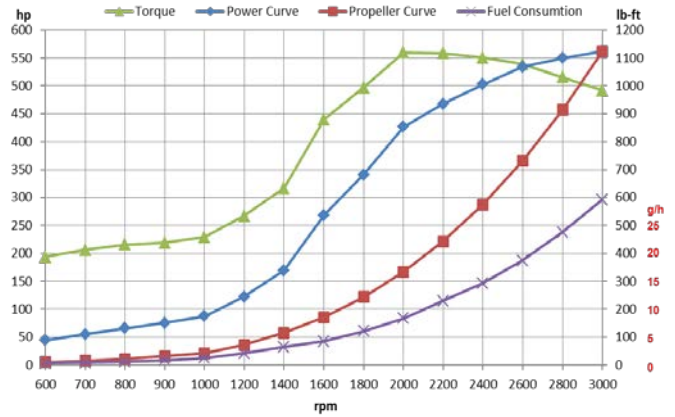
# Power, Fuel and Torque Data\*

# N67 570

N67 570 - A1 (570hp @ 3000rpm)								
rpm	POWER CURVE		PROPELLER CURVE		Fuel CURVE		Torque	
	kW	hp	kW	hp	be	g/h	lb-ft	
3000	419	562	419	562	225	29.6	984	
2800	410	550	341	457	222	23.8	1031	
2600	398	534	273	366	218	18.7	1078	
2400	375	503	215	288	217	14.6	1100	
2200	349	468	165	222	220	11.4	1117	
2000	318	426	124	166	213	8.3	1120	
1800	254	341	91	121	213	6.1	994	
1600	200	268	64	85	212	4.2	880	
1400	126	169	43	57	241	3.2	634	
1200	91	122	27	36	248	2.1	534	
1000	65	87	16	21	249	1.2	458	
900	56	75	11	15	245	0.9	438	
800	49	66	8	11	243	0.6	431	
700	41	55	5	7	253	0.4	413	
600	33	44	3	4	251	0.3	387	

N67 570 - A2 (500hp @ 3000rpm)								
rpm	POWER CURVE		PROPELLER CURVE		Fuel CURVE		Torque	
	kW	hp	kW	hp	be	g/h	lb-ft	
3000	368	500.34	368	500.3409	225	26.0	864	
2800	368	500.34	299	406.7957	222	20.9	926	
2600	368	500.34	240	325.7034	218	16.4	997	
2400	361	490.82	188	256.1745	217	12.9	1059	
2200	337	458.19	145	197.3196	220	10.0	1079	
2000	314	426.92	109	148.2492	213	7.3	1106	
1800	254	345.34	79	108.0736	213	5.3	994	
1600	200	271.92	56	75.90356	212	3.7	880	
1400	126	171.31	37	50.84946	241	2.8	634	
1200	91	123.73	24	32.02182	248	1.8	534	
1000	65	88.375	14	18.53114	249	1.1	458	
900	56	76.139	10	13.5092	245	0.8	438	
800	49	66.621	7	9.487946	243	0.5	431	
700	41	55.745	5	6.356182	253	0.4	413	
600	33	44.868	3	4.002727	251	0.2	387	

N67 570 - B (450hp @ 3000rpm)								
rpm	POWER CURVE		PROPELLER CURVE		Fuel CURVE		Torque	
	kW	hp	kW	hp	be	g/h	lb-ft	
3000	331	450	331	450	225	23.4	777	
2800	331	450	269	366	222	18.8	833	
2600	331	450	215	293	218	14.8	897	
2400	331	450	169	230	217	11.6	971	
2200	324	441	131	177	220	9.0	1037	
2000	314	427	98	133	213	6.6	1106	
1800	254	345	71	97	213	4.8	994	
1600	200	272	50	68	212	3.3	880	
1400	126	171	34	46	241	2.5	634	
1200	91	124	21	29	248	1.6	534	
1000	65	88	12	17	249	1.0	458	
900	56	76	9	12	245	0.7	438	
800	49	67	6	9	243	0.5	431	
700	41	56	4	6	253	0.3	413	
600	33	45	3	4	251	0.2	387	



\* Data provided is based on manufacturers publication with respective conditions and tolerances. All data is for information purpose only and not binding.

# USA



SALES



SERVICE



PARTS



**Motor-Services Hugo Stamp, Inc.**

3190 SW 9<sup>th</sup> Avenue  
Fort Lauderdale, FL 33315

P: (954) 763-3660 | F: (954) 713 -0435

Toll Free: (877) 388-3987

[propulsion@mshs.com](mailto:propulsion@mshs.com) | [www.mshs.com](http://www.mshs.com)