

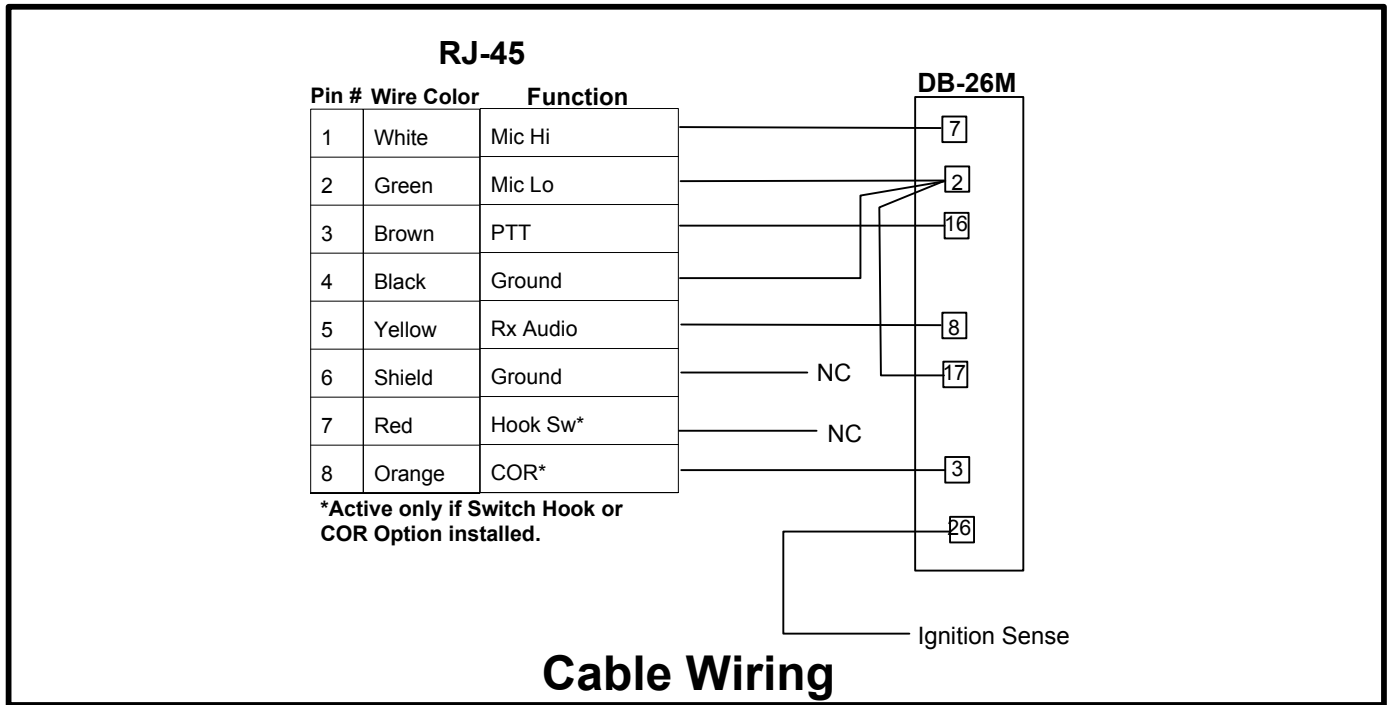
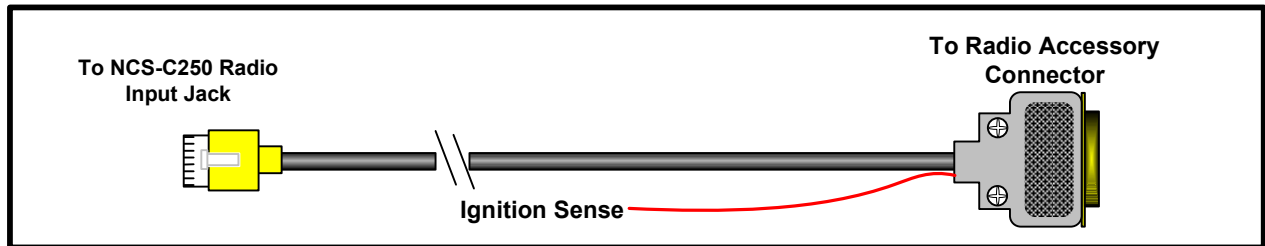
Radio Interface Cable

For NCS-C250 Mobile Multi-Switcher

NCS Model Number
NCS-250-YDA-XX

Compatible Radios:

| | |
|------------------|------------------|
| HYT MD782 | HYT MD786 |
| HYT MD785 | HYT MD788 |



Notes:

Using the appropriate radio programming software, program the following functions on the indicated pins of the accessory connector:

1. Pin 16, **PRGM_IN_PTT**, on ACC connector must be programmed for PTT (default programming is PTT on front panel).
2. Pin 3, **GP5_3** on ACC connector must be programmed for COR if COR option installed in NCS-C250
3. Rear panel external mic must be opened using the radio programming software (default is front panel mic open)
4. Ignition Sense type can be configured in the radio programming software.