



# S 861

## THE SMART SOLUTION

Innovative space-saver handspin balancing system for truck and bus wheels, to be mounted on truck tyre changer, particularly suitable also for mobile service.



S 861 is an innovative space-saver handspin balancing system for truck and bus wheels, to be mounted on truck tyre changer, particularly suitable for mobile service.

Truck balancing machines are generally characterized by an unwieldy and heavy structure, in order to support the high weight of truck wheels. As a consequence traditional truck balancers are difficult to transport because of their big dimensions and weights and therefore generally used only in workshops and not for mobile service.

In addition to the above, the recent tendency of truck tyre manufacturers to introduce TPMS sensors inside the tyre, limits the use of balancing powder.

S 861 is an innovative device for wheel balancing that solves the problems listed above thanks to its dimensions extremely reduced.

Hooking up to the jaws of any truck tyre changer, the device exploits the structure of the tyre changer itself in order to support the weight of wheels, avoiding the need of unwieldy basements.

In addition to the above, exploiting the lifting movement of the tyre changer, the balancing device does not require the operator to move or lift heavy wheels.

Mainly developed for mobile service, thanks to manually operated spin system, rechargeable lithium batteries with external power supply (220V AC, 12V CC) and digital portable display,

S 861 is suitable also to be used in workshops where, because of its handiness, it facilitates and speeds the balancing operations.

# S 861

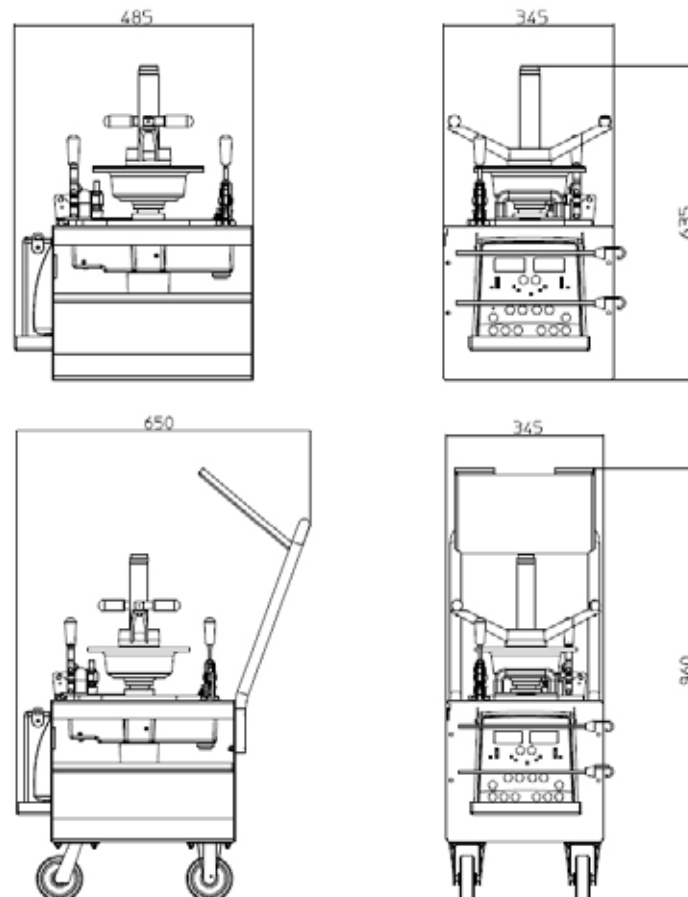
- Easy and quick mounting system on the tyre changer
- Manually operated spin system
- Digital portable display
- Powered by rechargeable batteries with external power supply (220 V AC, 12V CC, 24 V CC)



## STANDARD FEATURES S 861

Single phase power supply	115 or 230 V 50-60 Hz
Protection class	IP 41
Max absorbed power	0.8 Kw
Cycle time per wheel	8÷20 seconds
Balancing speed < 70 r.p.m.	< 70 r.p.m.
Measurement uncertainty	10 grams
Average noise	< 70 dB(A)
Rim width settable	1.5" ÷ 20" or 40 ÷ 510 mm
Settable diameter	10" ÷ 30" or 265 ÷ 765 mm
Maximum wheel weight	< 250 Kg.
Machine weight	~ 20 kg.

## DIMENSIONS





- Easy and quick mounting system on the tyre changer
- Manually operated spin system
- Digital portable display
- Powered by rechargeable batteries with external power supply (220 V AC, 12V CC, 24 V CC)

## Standard accessories



### STAND

- Storage stand complete with housings for machine, display and cones

## Optional accessories



### TROLLEY KIT

- Trolley Kit for storage stand

### SR 215/2



- To centre wheels with 8 holes on 275/285,75 mm Ø and with 10 holes on 225/285, 75/335 mm Ø

### CONE IV-V + GG DISC



- To center truck or bus wheels with a central hole of 202 / 221 / 281 mm Ø by means of cones



**GIULIANO INDUSTRIAL S.p.A.**  
 Via Guerrieri, 6 - 42015 CORREGGIO - ITALY  
 Tel. +39. 522. 73.11.11 - Fax. +39. 522. 63.31.09  
 E-mail: [info@giuliano-automotive.com](mailto:info@giuliano-automotive.com)  
<http://www.giuliano-automotive.com>