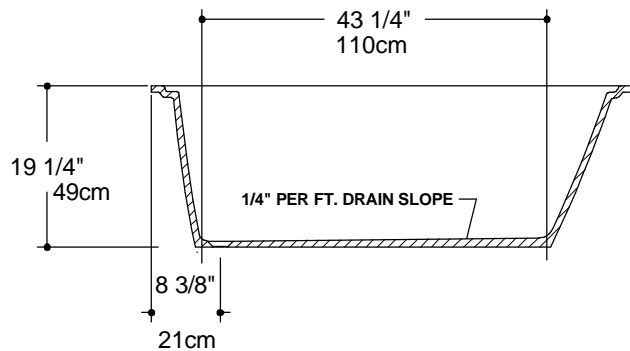
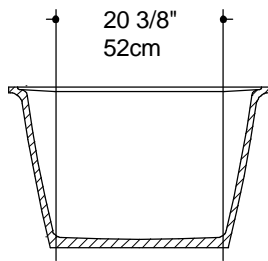
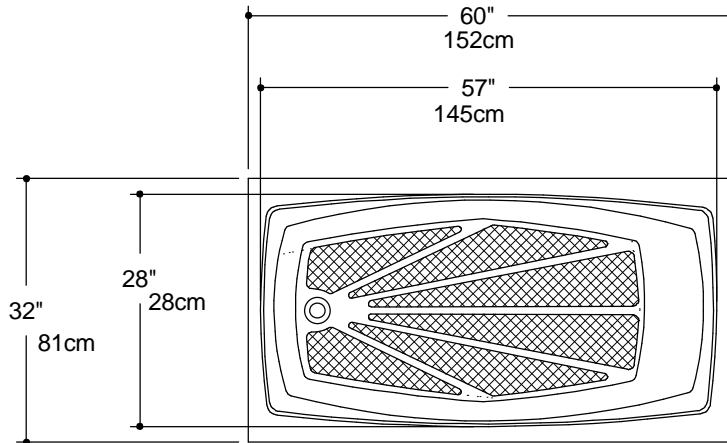


MK35



GRUBER SYSTEMS RESERVES THE RIGHT TO CHANGE THIS INFORMATION AT ANY TIME WITHOUT PRIOR NOTICE. ISSUED BY GRUBER SYSTEMS INC., 25636 AVENUE STANFORD, VALENCIA, CA 91355, USA. COPYRIGHT 2002

MOLD PART	CATALOG No.	DESCRIPTION
MALE	29035	MK 35 MALE
FEMALE	490358	F-MK 35 ONE PIECE
TURTLE	490353	F- MK 35 INSERT
ULFF	490359	ULFF MK 35 1/2"
ULFF INSERT	4903591	ULFF MK 35 INS 1/2"
NAME	MARK 35 BATHTUB 60" X 32" X 19 1/4" (152cm X 81cm X 49cm)	
CAST WEIGHT	SCALE 1/2" = 1' 0"	DATE 8-30-02 PAGE No. T-26