



AMERICAN ELECTRIC EQUIPMENT, INC.

P.O. BOX 710 BECKLEY, WV 25801

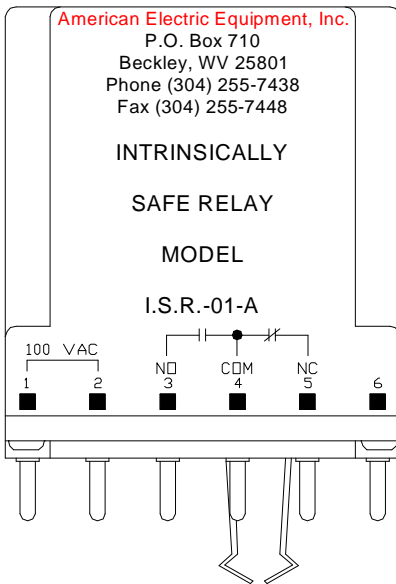
PHONE: 304-255-7438

FAX: 304-255-7448

Intrinsically Safe Relay

Document A-13521

May 8, 2013



Electrical Specifications

- ✓ Output contacts rated at 8 amps/220 VAC. No need for interposing relays or brackets.
- ✓ Terminals clearly marked for ease of use.
- ✓ Operation: 85 to 145 VAC without damage.
- ✓ Output Relay: Pick up voltage 85 VAC
Drop out voltage 55 VAC
- ✓ Output Characteristics: rated @ 120 VAC
Pick Up Resistance: 80 Ohms
Drop Out Resistance: 400 Ohms
- ✓ Input to output isolation 5KV max. Guaranteed.

Ordering Information

Intrinsically Safe Relay
Part Number: ISR-01-A

Optional Related Parts

Red Indicating LED
Part Number: A201RD

12 Pin Relay Socket
Part Number: A-5921

Socket Mounting Block
Part Number: A-8880-3

125 VDC - 120 VAC Inverter
Part Number: INV-120

Mechanical Specifications

- ✓ Heavy duty terminal block.
- ✓ Plug in unit. No need to disconnect wiring when replacing or troubleshooting in the field.
- ✓ Optional adapter plate to mount in place of competitive relays.
- ✓ Encapsulated relay. No moisture damage.
- ✓ Small footprint. 2-1/8" x 2-5/8" x 3-3/4"
- ✓ MSHA approval number: IA-525
- ✓ Commonwealth of Pennsylvania approval number: BISC 100-92

