

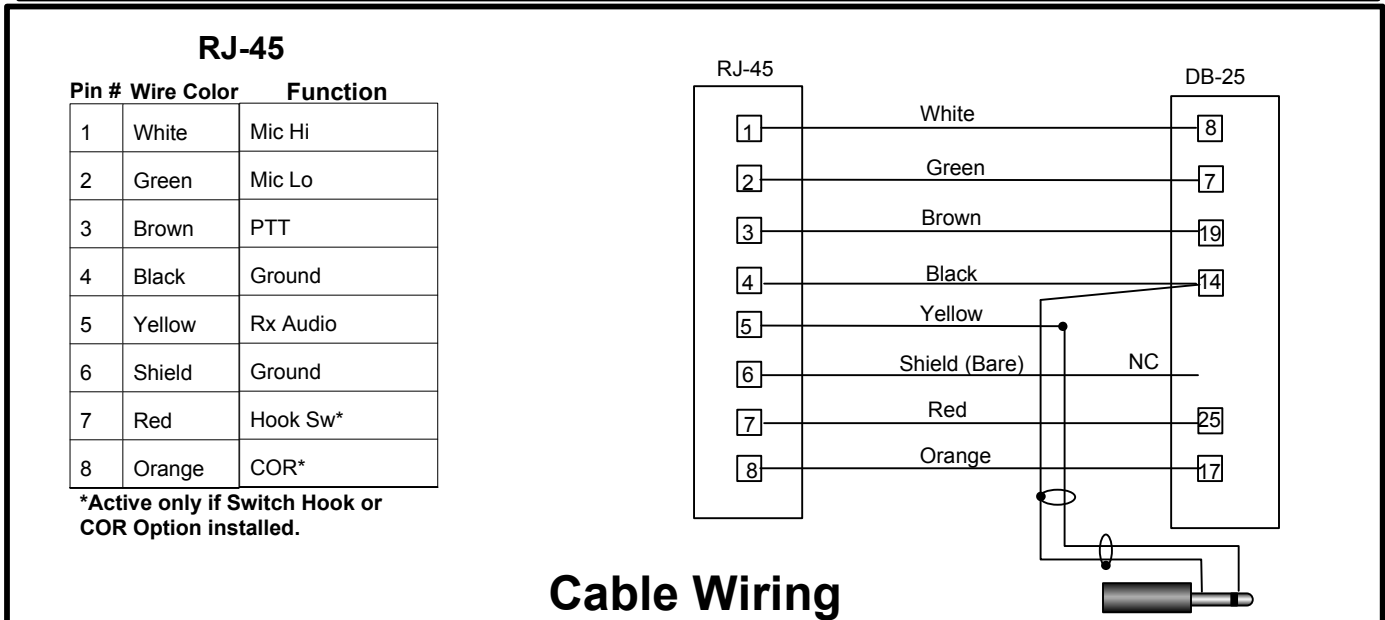
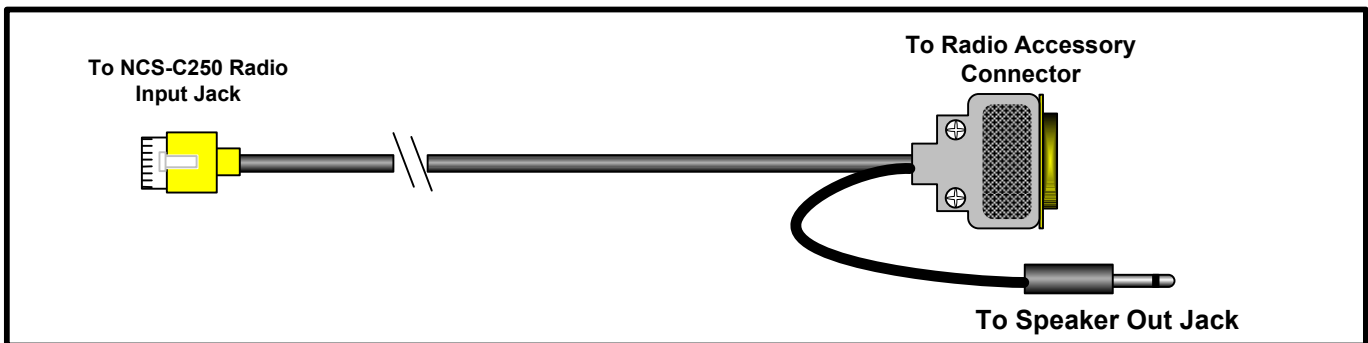
Radio Interface Cable

For NCS-C250 Mobile Multi-Switcher

NCS Model Number
NCS-250-IGA-XX

Compatible Radios:

ICOM IC-F5061	ICOM IC-F9521
ICOM IC-F6061	ICOM IC-F9523
ICOM IC-F9511	



Notes:

1. Jumper "N" must be installed for external mic (EXMOD) to function. Refer to the service manual for the location of this jumper.
2. Certain pins of the DB-25 Acc connector must be programmed in the radio software with the appropriate **PORT SET NO** and the port must be designated as an **INPUT** or **OUTPUT**. The correct values are shown in the table below. These are factory default values and may not require reprogramming.

DB-25 Pin #	Port Set No.	IN/OUT	Function
17	PIN03	OUTPUT	BUSY
19	PIN05	INPUT	EPTT
25	PIN08	OUTPUT	HANGER