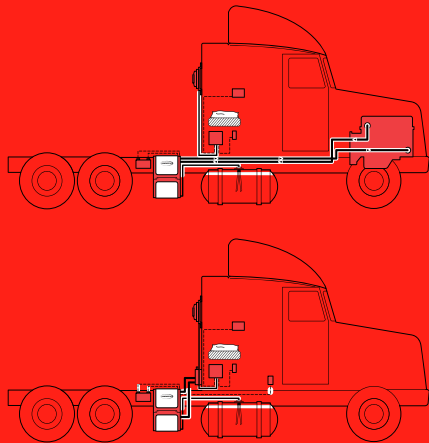




# Auxiliary Power Unit (APU)



## ComfortPro™ Auxiliary Power Unit

200INT, 210STA, 220PWR, 230SKY

### Service Parts List



# **ComfortPro<sup>™</sup> Auxiliary Power Unit**

## **200INT, 210STA, 220PWR, 230SKY**

### **Service Parts List**

### Manual Revision History 62-12079

<b>Rev.</b>	<b>Date</b>	<b>Reason for Release</b>
-	12/11/2019	Initial Release
A	3/3/2020	Updated with new logo
B	3/12/2021	Section 6 (Page 13) corrected p/n for item #5, current p/n 25-35491-00, should be p/n 25-39687-00 (per Mike Madden)



**TRANSICOLD**

## Table of Contents

Introduction .....	1
1. APU – Mounting Enclosure .....	2
2. APU – Engine Mount/Engine .....	4
3. Fuel System – Injector/Fuel Filter/Pump/Solenoid .....	6
4. Coolant System – 200INT .....	9
5. Coolant System – Radiator .....	11
6. Oil/Lubrication System .....	13
7. Exhaust System .....	14
8. Air Filter System .....	15
9. Coolant System – Water Pump/Thermostat .....	17
10. Generator Assembly .....	18
11. Electrical System – Alternator/Starter Motor/Glow Plugs .....	20
12. Electrical System - APU .....	21
11a. Engine Harness (200INT, 220PWR, 230PWR) .....	22
11b. Engine Harness (210STA) .....	24
13. Electrical System – Driver Control Panel .....	26
14. Electrical System – 120 VAC Receptacle .....	27
15. Air Conditioning System - Internal Components .....	28
16. Air Conditioning System – CCU Controller .....	30
17. Air Conditioning System – Condenser .....	32
18. Air Conditioning System – Outer Casing/Vent Ducts .....	34
19. Accessories – Frame Mounting Brackets .....	35
20. Accessories – Battery Cables .....	35
21. Accessories – Buzzer Kit/APU Control Cable Converter .....	36
22. Accessories – Fuel Pickup Kit .....	37
23. Accessories – Engine Fittings .....	38
24. Accessories – Cable Ties/Loom .....	39
25. Accessories – Documentation .....	40
26. Test Equipment and Special Tools .....	41
27. Optional Equipment and Accessories .....	42

**NOTE:** This parts list reflects kits included in the unit when it was built. For superseded or changed kits, contact your Carrier dealer to ensure you are getting the latest parts for your unit.

## Model Chart

<b>200INT (Integrated)</b>	Auxiliary Power Unit (APU) where the APU coolant system is integrated with the coolant system for the tractor
<b>210STA (Stand-Alone)</b>	APU where the APU coolant system is separate from the coolant system for the tractor
<b>220PWR (Shore Power Only)</b>	APU based on the 200INT without a climate control unit (CCU)
<b>230SKY (With DPF)</b>	APU based on the 200INT with the ClearSky diesel particulate filter (DPF) option installed

## Applicable Parts List Manuals

Manual/Form No.	Part Number Covered	Equipment Covered	Type of Manual
62-11494	96-101-19K	Z482-E3B Tier 4 Engine	Engine Parts List

# Auxiliary Power Unit (APU) Service Parts List

## Introduction

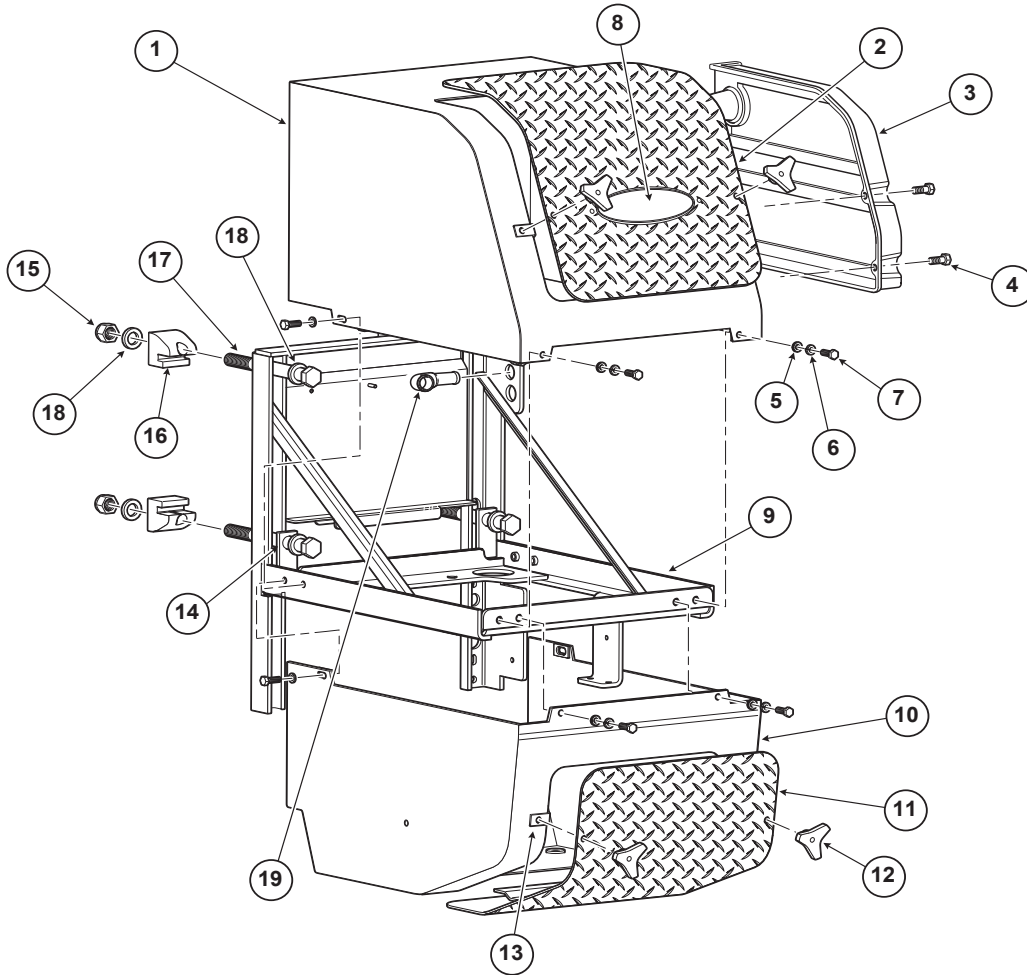
This parts list identifies service replacement parts for the Carrier Transicold Models listed in the [Model Chart](#) on Preface - 1. This parts list does not include all detailed replacements parts for the engine. Detailed parts identification for the engine may be found in the [Applicable Parts List Manuals](#) referenced on Preface - 1.

## General Notes

To find replacement parts, consult table of contents, and turn to the appropriate page for the illustrated breakdown of replacement parts. The following letter designations are used to classify parts throughout this list:

A/R	As Required.
N/A	Not Available.
NLO	No Longer Offered.
P--	Suffix P-- added to the part number means the part is available in a packaged quantity only. Example: P/N 34-00373-01P10 is a package of (10) P/N 34-00373-01. Use part number and the P-- suffix when ordering.
PL	Purchase Locally.
SST	Stainless Steel – 300 Series unless otherwise specified.
SV	Suffix SV – added to the part number designates service replacement part.
NS	Not shown on drawing

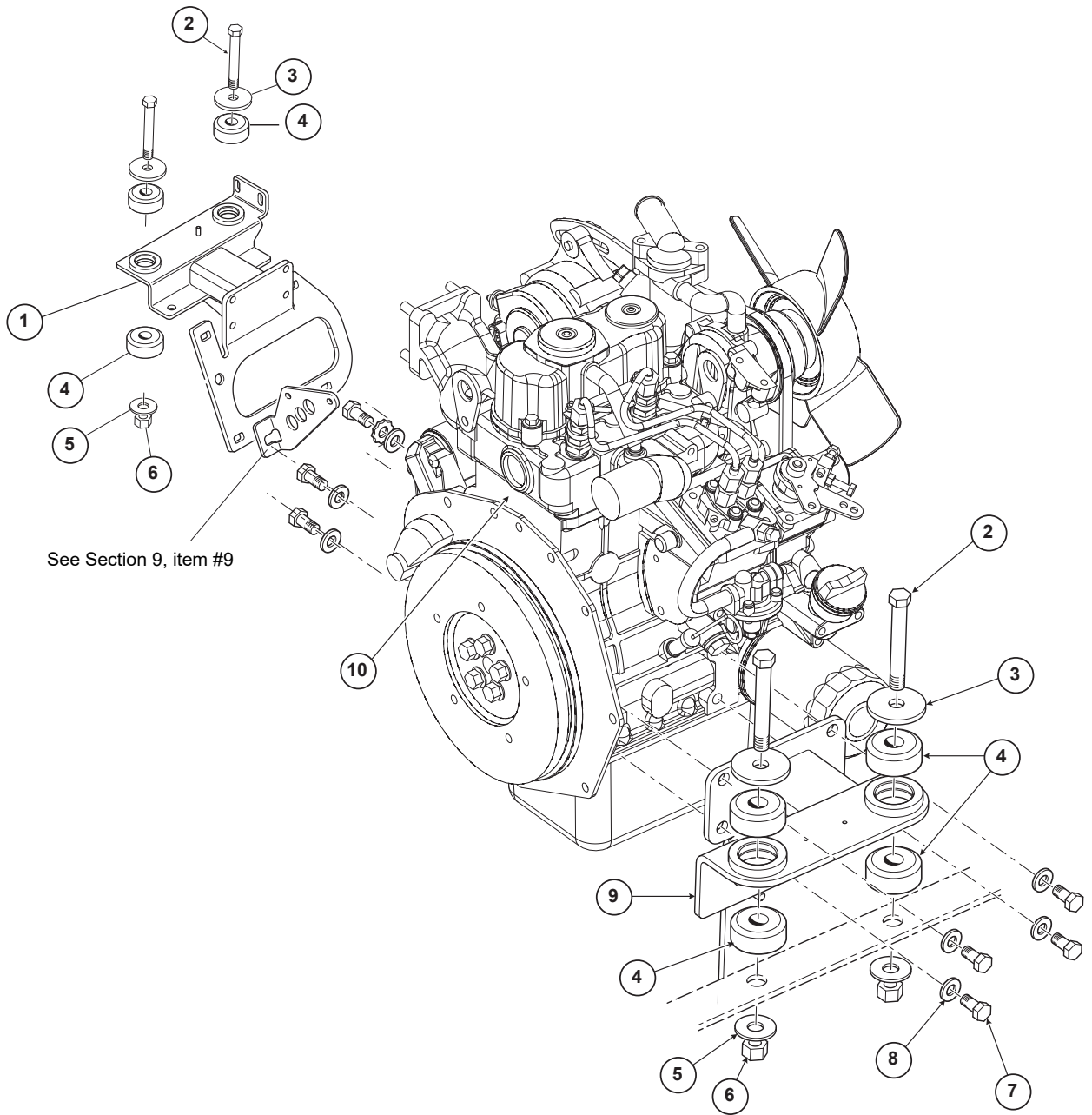
# 1. APU - Mounting Enclosure



<b>1. APU - Mounting/Enclosure</b>			
<b>Item</b>	<b>Part #</b>	<b>Description</b>	<b>QTY</b>
1	79-02443-01	Enclosure, Upper	1
2	79-02450-00	Access Cover, Upper	1
3	30-845-15K	Air Intake Cover, Rear Inlet	1
4	25-455-02K	HWHCS, 5/16-18 x 1/2 ZP	4
5	25-016-50K	Washer, 5/16" Flat, SST	8
6	25-019-50K	Washer, 5/16" Lock, SST	8
7	25-023-50K	Bolt, Hex Head, 5/16" SS	8
8	30-577-21K	Logo, C/W Fasteners (Carrier)	1
9	79-02467-00	Frame, APU	1
10	79-02444-01	Enclosure, Lower	1
11	30-716-01K	Access Cover, Lower	1
12	25-461-01K	Hand Wheel, 3-Lobe	4
13	25-456-01K	Nut, 5/16" NC Pane	4
14	30-761-05K	Washer, Frame	2
15	25-066-01K	Nut, 3/4" NC Nylock	4
16	30-793-01K	Gripper, Frame	4
17	25-069-01K	Bolt, Hex Head, 3/4" NC x 7-1/2"	4
18	25-307-01K	Washer, 3/4" x 1-1/2" OD	8
19	30-797-01K	Coolant Outlet Adapter	1
NS	30-793-00K	APU Mounting Kit	1
Includes items 14, 15, 16, 17, 18			
NS	30-705-15K	APU Upper Enclosure Insulation Kit	1
NS	30-710-15K	APU Lower Enclosure Insulation Kit	1

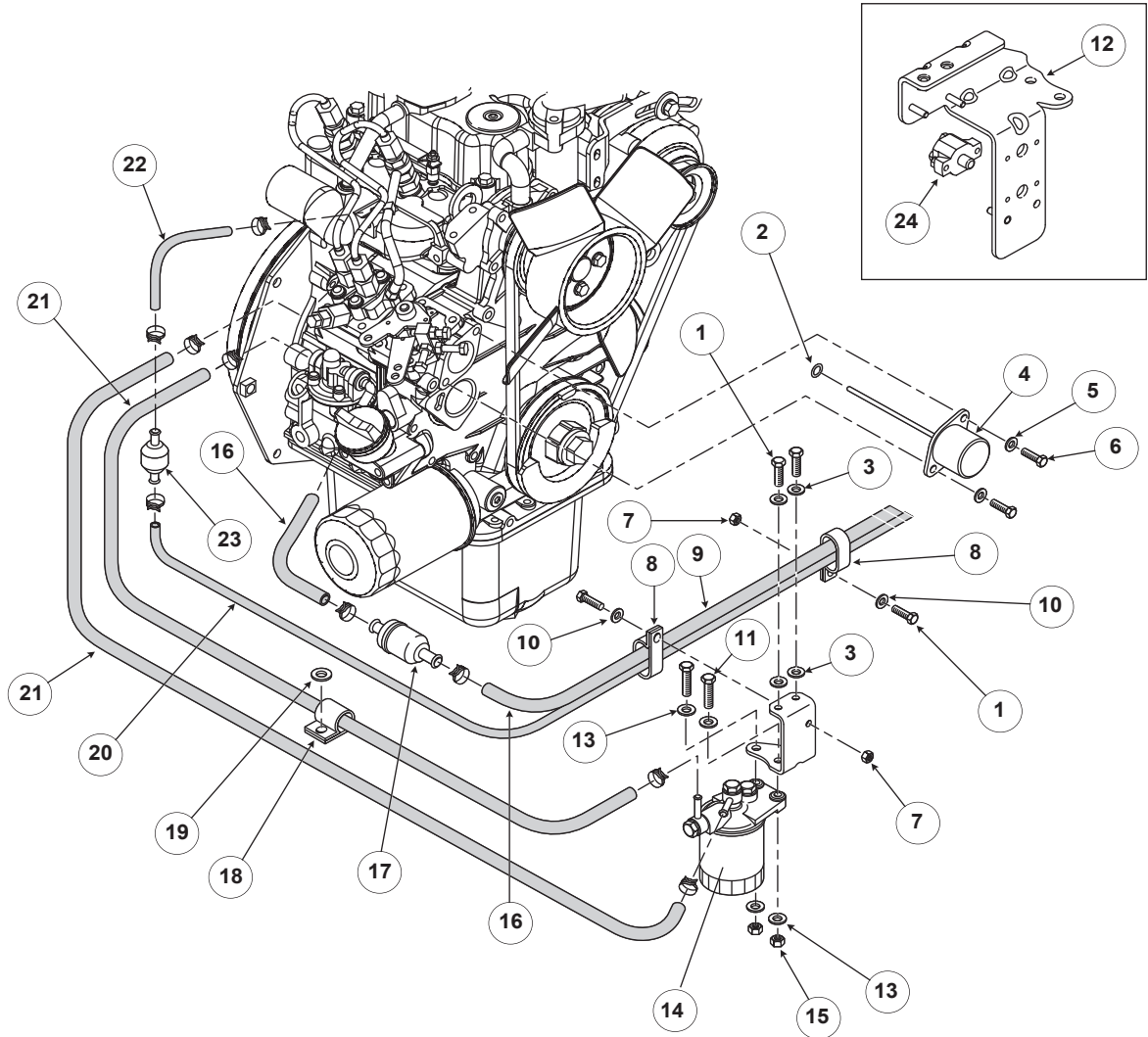


## 2. APU - Engine Mount / Engine



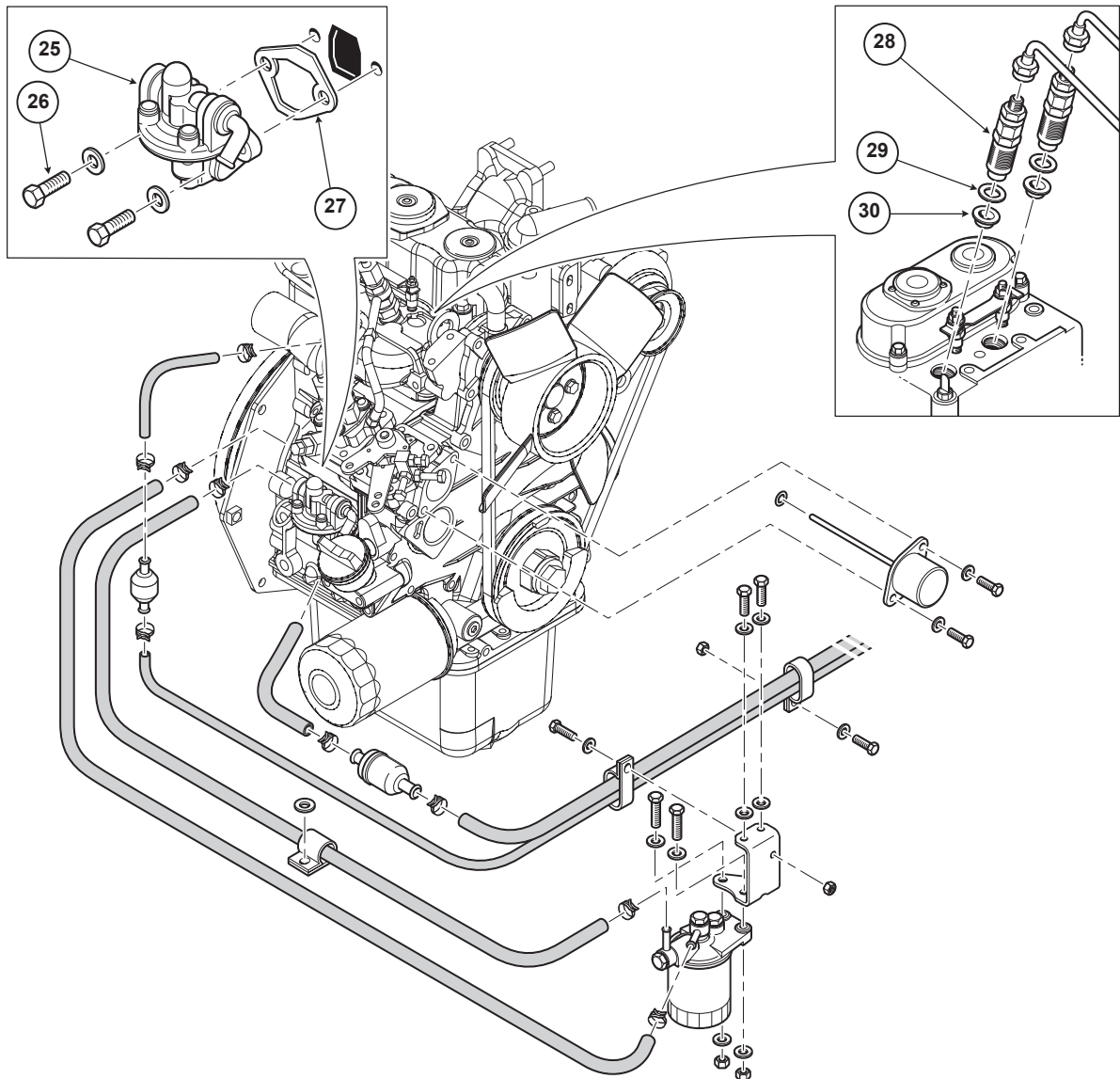
<b>2. APU - Engine Mount/Engine</b>			
<b>Item</b>	<b>Part #</b>	<b>Description</b>	<b>QTY</b>
1	30-G70-82K	Mount, Engine Generator Kit	1
2	25-451-02K	Bolt, Hex Head, 1/2" NC x 3-1/2"	4
3	25-303-02K	Washer, 1/2" Shock Mount	4
4	30-718-01K	Shock Mount, 2 Piece (set)	4
5	25-052-01K	Washer, 1/2" Flat	4
6	25-053-01K	Nut, 1/2" NC Nylock	4
7	25-449-02K	Bolt, M10 x 1.25mm x 25mm	8
8	25-450-01K	Washer, M10 Flat	8
9	30-707-01K	Mount Engine, Front	1
10	96-101-19K	Engine APU	1
NS	30-718-00K	Engine Shock Mount Kit (includes 2, 3, 4, 5, 6)	4

### 3. Fuel System - Injector/Fuel Filter/Pump/Solenoid



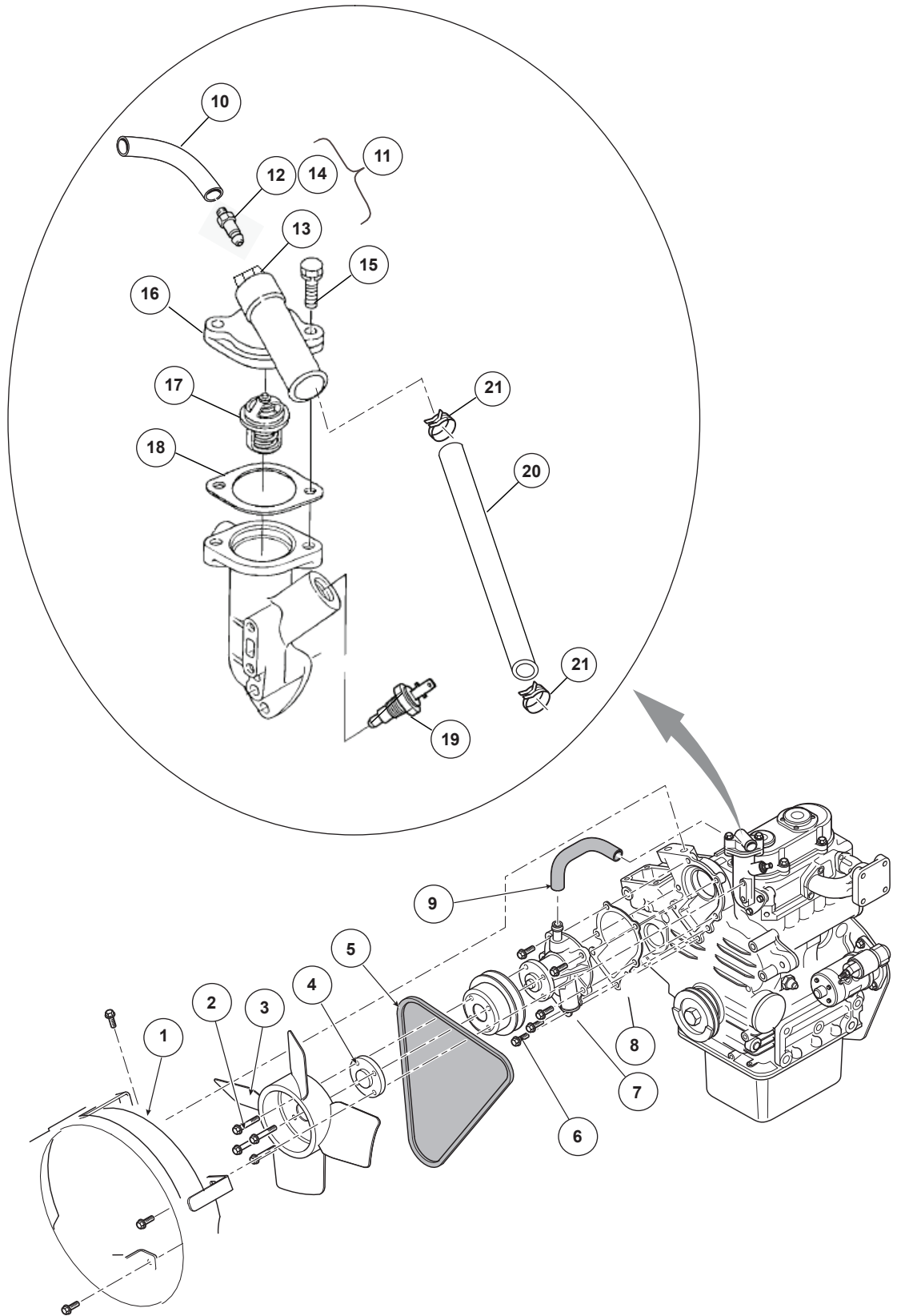
<b>3. Fuel System - Injector/Fuel Filter/Pump/Solenoid</b>			
<b>Item</b>	<b>Part #</b>	<b>Description</b>	<b>QTY</b>
1	25-023-50K	Bolt, Hex Head, 5/16" SST	2
2	96-254-00K	O-Ring	1
3	25-016-50K	Washer, 5/16" Flat, SST	4
4	96-153-01K	Solenoid, Fuel, Shut-Off	1
5	30-590-01K	Washer, Spring	2
6	96-255-00K	Bolt, Hex	2
7	25-015-01K	Nut, 1/4-20 NC, Nylock Zip	2
8	27-097-21K	Clamp, P, 0.625, Double	2
9	30-937-04K	Hose, Fuel Inlet	1
10	25-155-50K	Washer, 1/4 x 5/6 Flat SST	2
11	25-032-05K	HHCS, 3/8 BC x 1-1/2 ZP GR5	2
12	30-G91-41K	Bracket, Fuel Filter	1
13	25-017-01K	Washer, 5/16, USS F/W	4
14	96-101-24K	Filter, Fuel	1
15	25-040-01K	Nut, 3/8 NC, Nylock	2
16	30-937-05K	Hose, Fuel, In-Line Filter to Pump	1
17	30-186-01K	Filter, Fuel, In-Line	1
18	30-940-01K	Clamp, P, 50" x 0.531 Hole	1
19	25-052-01K	Washer, 1/2" Flat	1
20	30-937-01K	Hose, Fuel Return	1
21	30-937-03K	Hose, Fuel 5/16 with Loom	1
22	30-937-06K	Hose, Fuel, Return to Check Valve	1
23	96-101-25K	Valve, Check, Fuel	1
24	26-456-01K	Breaker, 35 Amp	1

### 3. Fuel System - Injector/Fuel Filter/Pump/Solenoid (continued)



Item	Part #	Description	QTY
25	96-101-29K	Fuel Pump, Suction	1
26	96-363-00K	Bolt	2
27	30-378-02K	Gasket, Fuel Pump	1
28	96-943-00K	Injector, c/w Gasket and Heat Seal	2
29	96-943-01K	Gasket, Injector	2
30	96-943-02K	Heat Seal, Injector	2

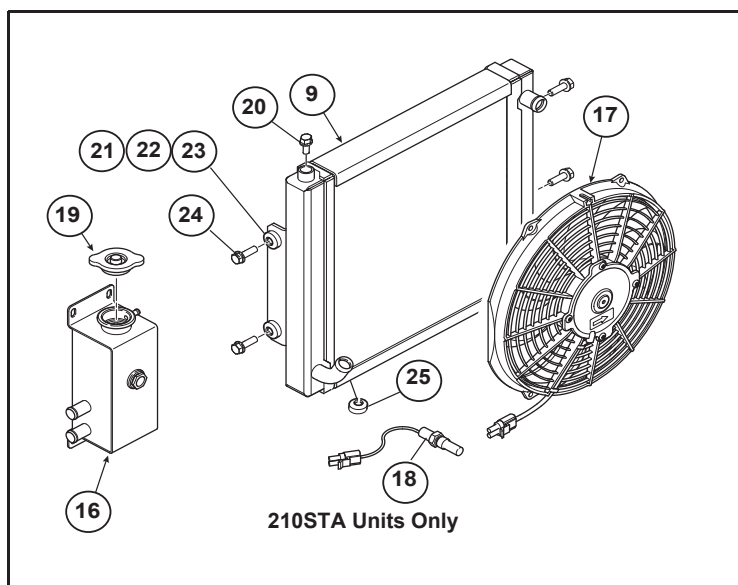
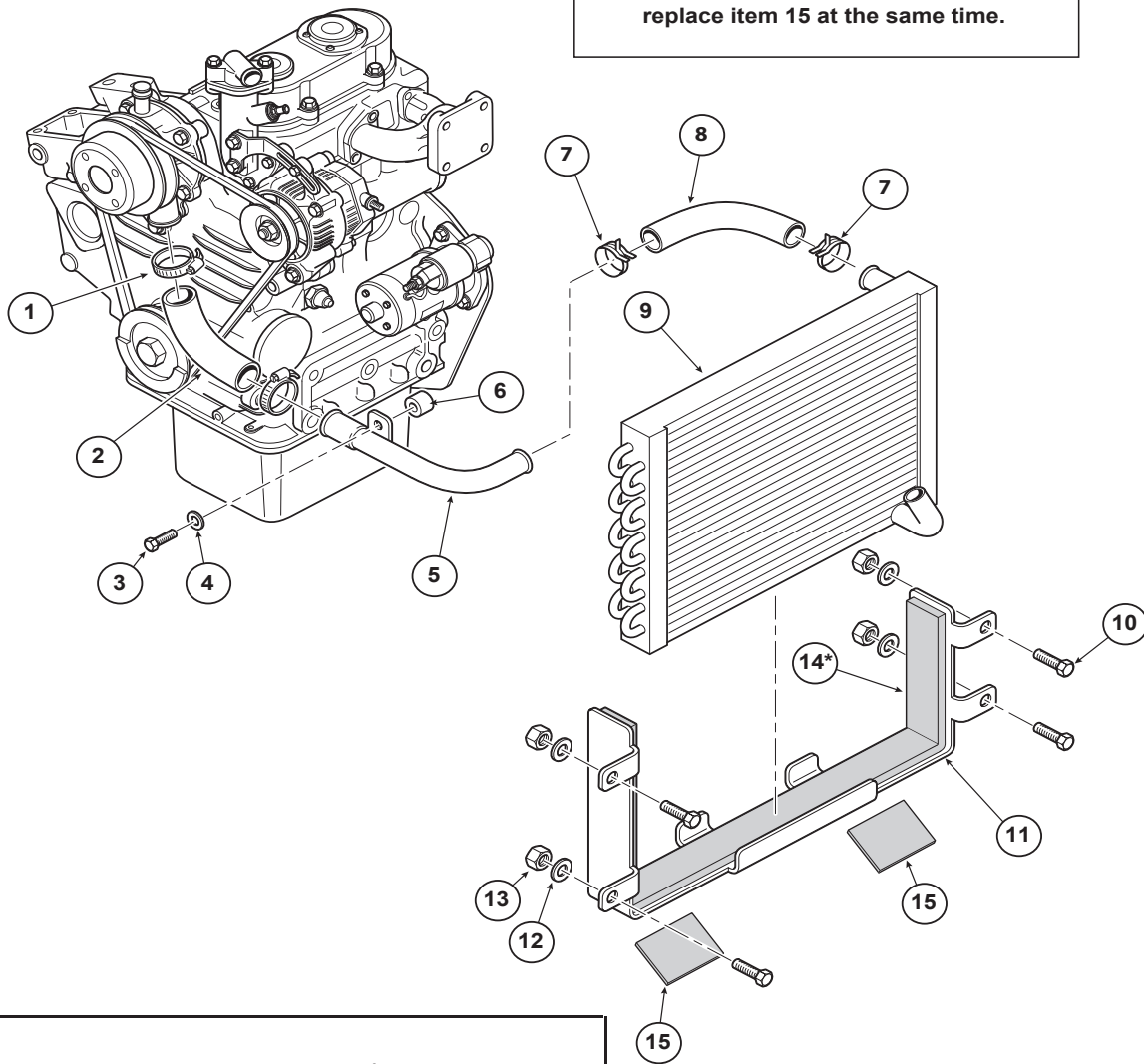
## 4. Coolant System - 200INT



<b>4. Coolant System - Water Pump/Thermostat</b>			
<b>Item #</b>	<b>Part Number</b>	<b>Description</b>	<b>QTY</b>
1	30-954-45K	Fan Shroud	1
2	25-38723-00	Bolt, Fan (M6 x 25mm long)	4
3	30-230-01K	Fan, Engine Cooling	1
4	96-969-05K	Spacer, Fan, Water Pump	1
5	96-969-03K	Belt, Alternator/Fan/Water Pump	1
6	25-34300-00	Pulley, Fan	1
7	96-G10-13K	Water Pump with Gasket	1
8	30-124-01K	Gasket, Water Pump	1
9	25-34329-00	Pipe, Water Return	1
10	30-187-08K	Hose, Coolant Bleed	1
11	30-017-03K	Fitting Assembly, Bleed Screw - Includes:	1
12	NSS	Fitting, Bleed	1
13	NSS	Bushing, Bleed Fitting, 3/8 NPT x 3/8-24UNF-2B	1
14	42-00243-10	O-Ring	1
15	25-15419-00	Bolt, Hex Head, M6 x 32mm Long	2
16	25-39621-00	Cover, Thermostat	1
17	25-39667-00SV	Thermostat, Engine - Includes:	1
18	25-36676-00	Gasket, Thermostat	1
19	25-39622-00	Switch, Coolant Overheat, 3/8" NPT	1
20	27-082-05K	Hose, Silicone, 1" ID x 0.75 ft.	1
21	27-085-01K	Clamp, Hose, 1-3/8" Dia., Constant Tension	2

## 5. Coolant System - Radiator

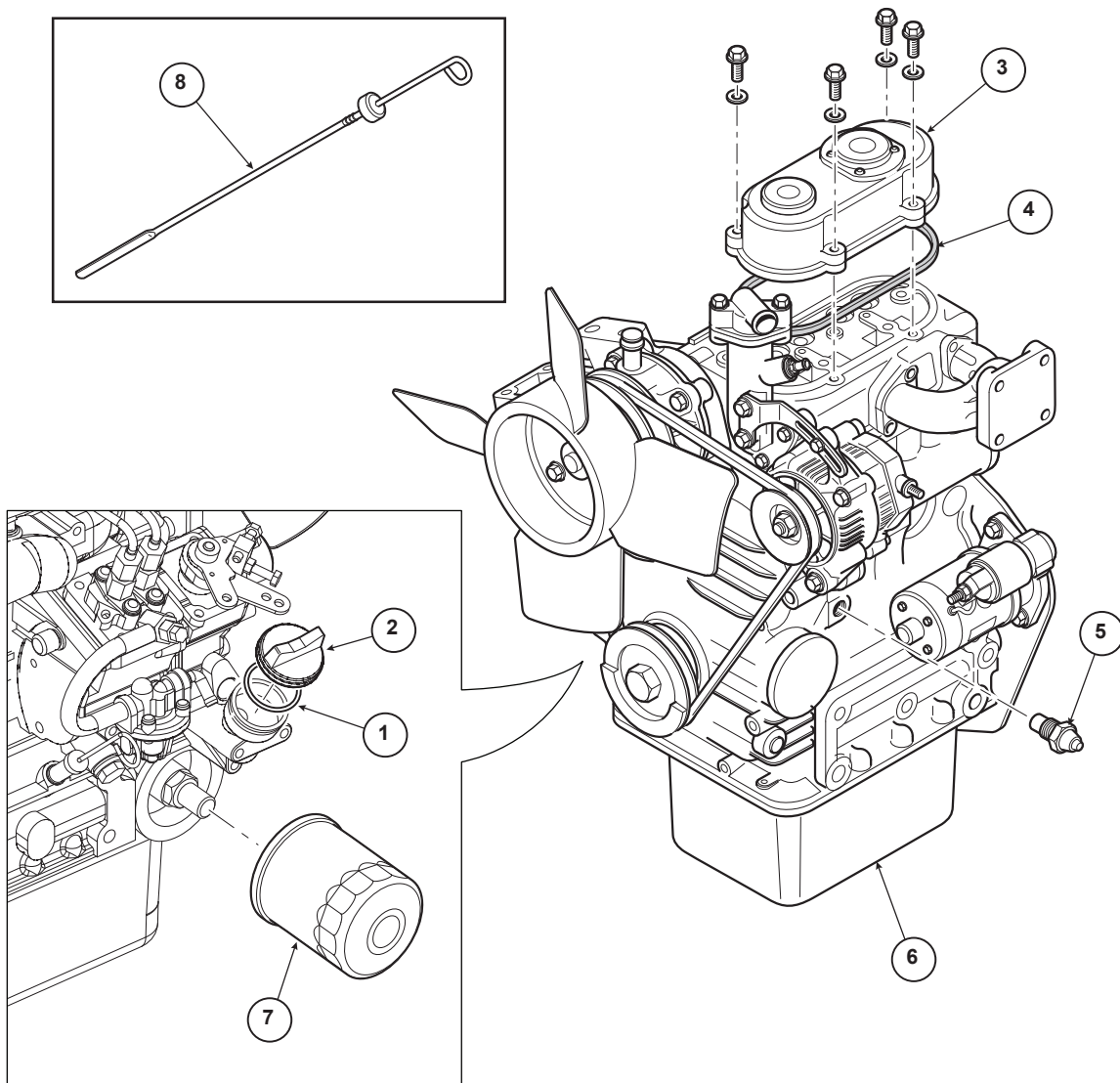
NOTICE  
 \*If replacing item 14, it is advisable to  
 replace item 15 at the same time.





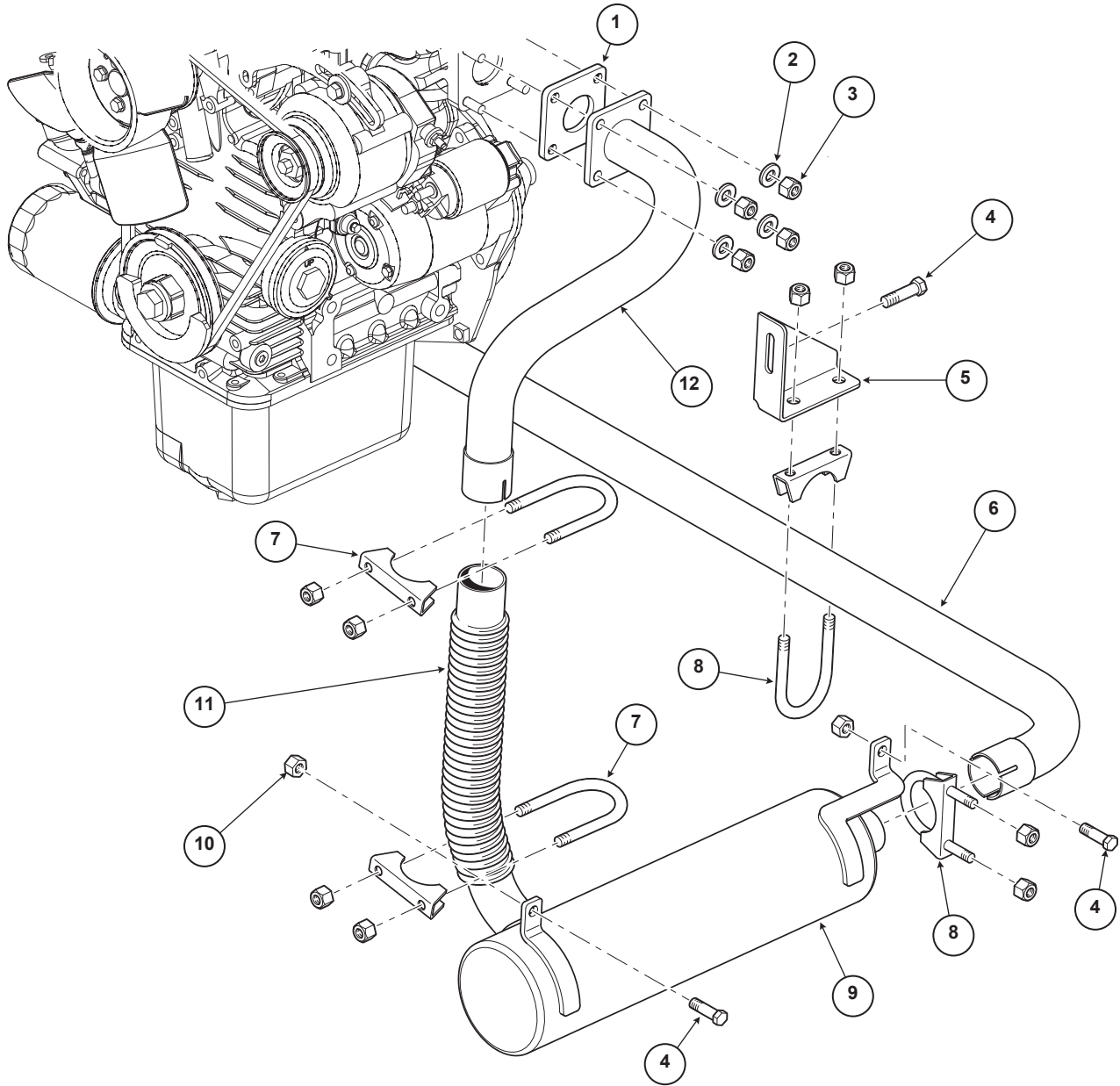
<b>5. Radiator</b>			
<b>Item</b>	<b>Part #</b>	<b>Description</b>	<b>QTY</b>
1	96-050-01K	Clamp, 1-1/4" Diameter, Screw	2
2	96-051-01K	Hose, Water Pump Inlet	1
3	25-444-01K	Bolt, Hex Head, M6 x 1mm x 60mm	1
4	25-092-01K	Washer, M6 Lock	1
5	30-735-01K	Pipe, Coolant Inlet	1
6	30-865-01K	Spacer, M6 x 5mm	1
7	27-083-01K	Clamp, 1-1/16" Diameter, Spring	2
8	27-015-02K	Hose, 3/4" ID, Silicone	1 ft.
9	30-717-50K	Radiator, Integrated	1
	30-S71-17K	Radiator, Includes Grommets and Fasteners	1
10	25-023-50K	Bolt, Hex Head, 5/16" SST	4
11	30-799-01K	Bracket, Radiator	1
12	25-016-50K	Washer, 5/16" Flat, SST	4
13	25-021-01K	Nut, 5/16" Nylock	4
14	58-01489-00	Foam Pad, Radiator Support	1
15	30-215-60K	Rubber Isolators (set of 2)	1
16	30-S71-01K	Tank, Surge, Coolant	1
17	30-S71-19K	Fan, Electric	1
18	30-S71-21K	Fan Switch	1
19	80-053-00K	Cap, Radiator	1
20	40-00123-12	Plug, Pipe, 1/4-18 NPT Female	1
21	58-01470-00	Grommet	4
22	34-01366-00	Spacer	4
23	34-01367-12	Nut, Flanged, 5/16-18 UNC	4
24	34-01365-12	Screw, Hex Flange, 5/16-18 x 1.25"	4
25	58-00065-49	Grommet, 0.38" ID	2

## 6. Oil/Lubrication System



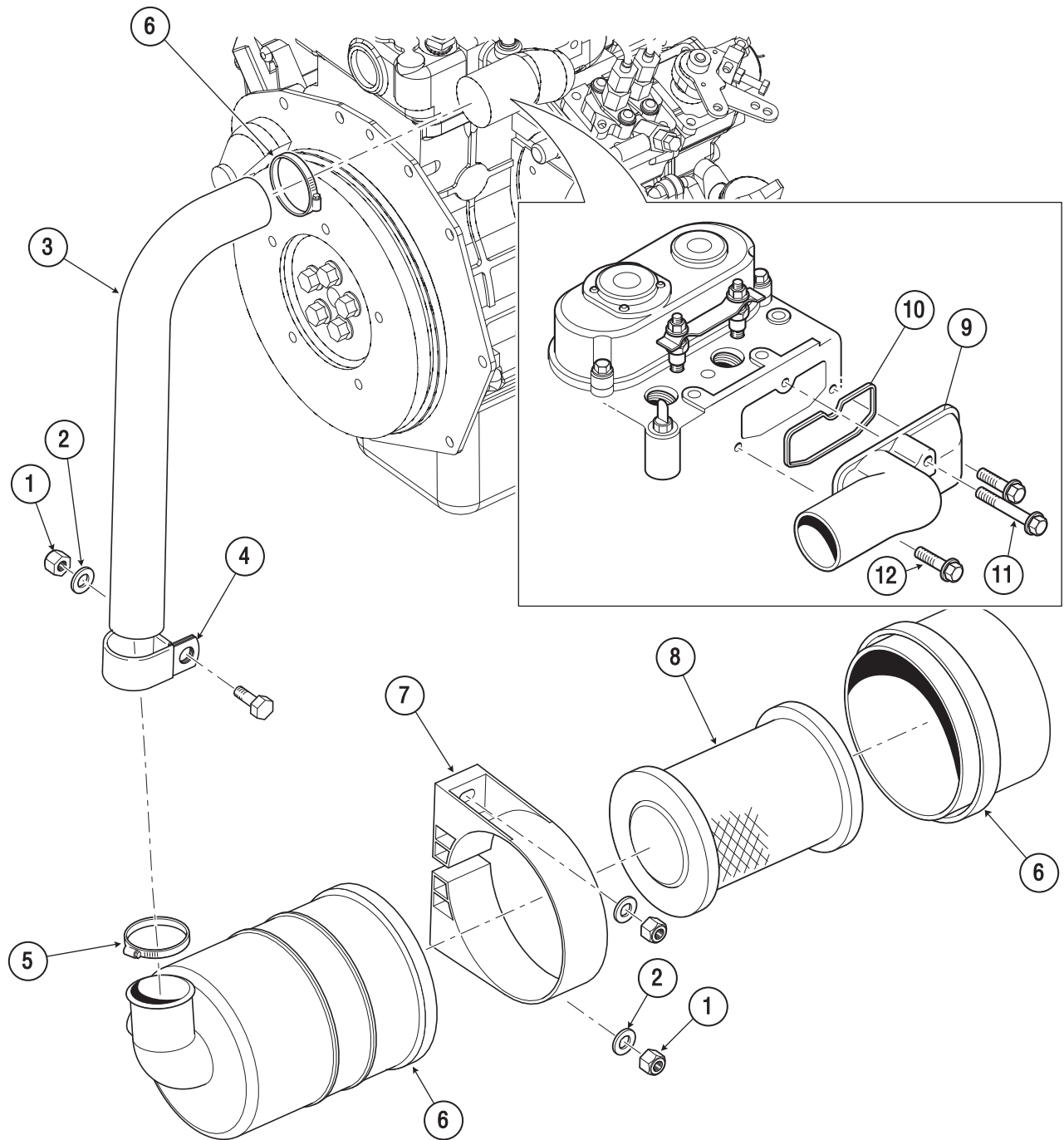
Item	Part #	Description	QTY
1	25-37310-00	O-Ring, Oil Filler Plug	1
2	25-15104-00	Plug, Oil Filler with O-Ring	1
3	25-15164-00	Assembly Cover, Cylinder Head	1
4	25-15163-00	Gasket, Valve Cover	1
5	25-39687-00	Sensor, Oil Pressure	1
6	96-018-00K	Oil Pan	1
7	96-101-33KP06	Filter, Oil	1
8	96-101-27K	Dipstick, Oil	1

## 7. Exhaust System



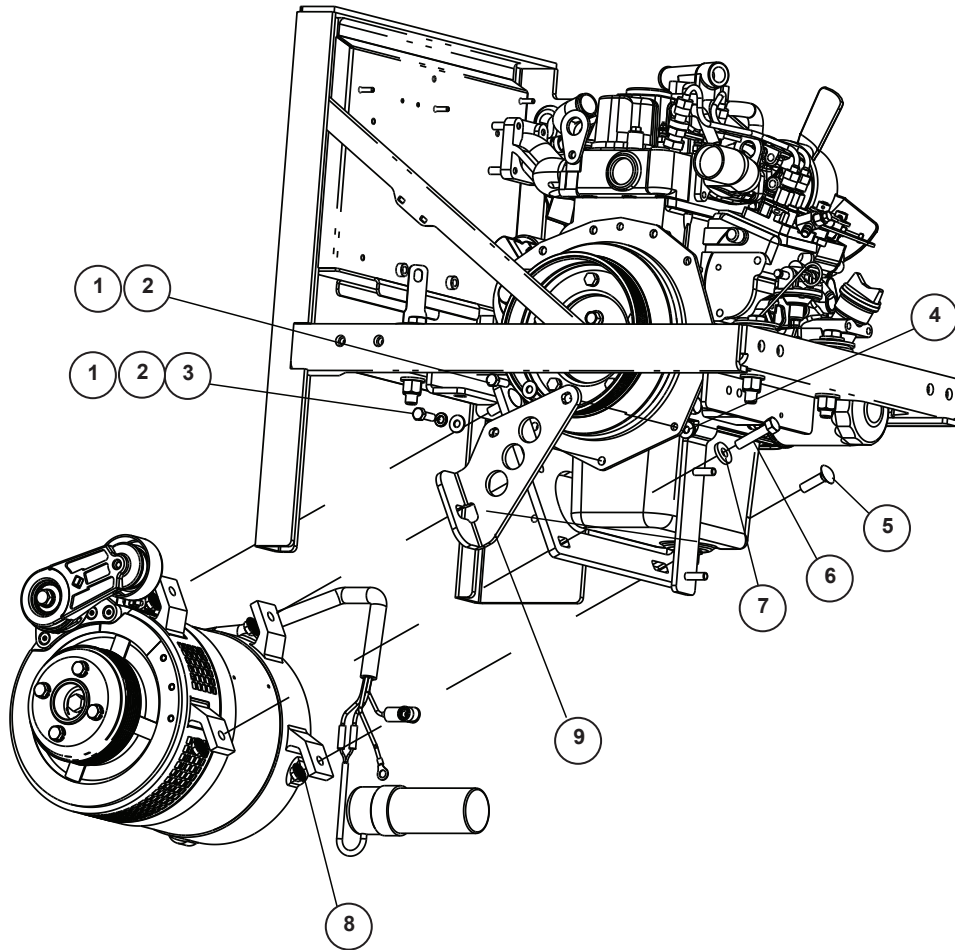
Item	Part #	Description	QTY
1	96-416-01K	Gasket, Exhaust Header Pipe	2
2	96-975-01K	Washer, M8 Flat	4
3	96-974-01K	Nut, M8 x 1.25mm	4
4	25-455-01K	Bolt, Hex Flange Head, 5/16" NC x 1"	3
5	30-760-01K	Bracket, Exhaust Pipe Support	1
6	30-725-03K	Exhaust Pipe, 90 Degree x 24"	1
7	27-018-01K	Clamp, Exhaust Pipe, 1-1/2"	2
8	27-018-50K	Clamp, Exhaust Pipe, 1-1/2", SST	2
9	30-723-01K	Muffler	1
10	25-021-01K	Nut, 5/16" Nylock	2
11	30-723-40K	Bellows Exhaust	1
12	30-723-02K	Exhaust Header Pipe	1

## 8. Air Filter System



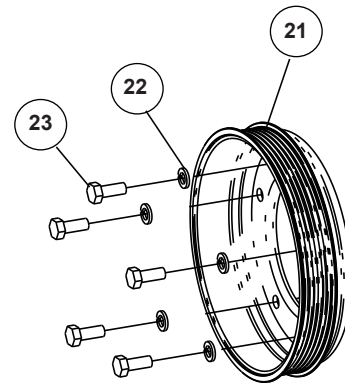
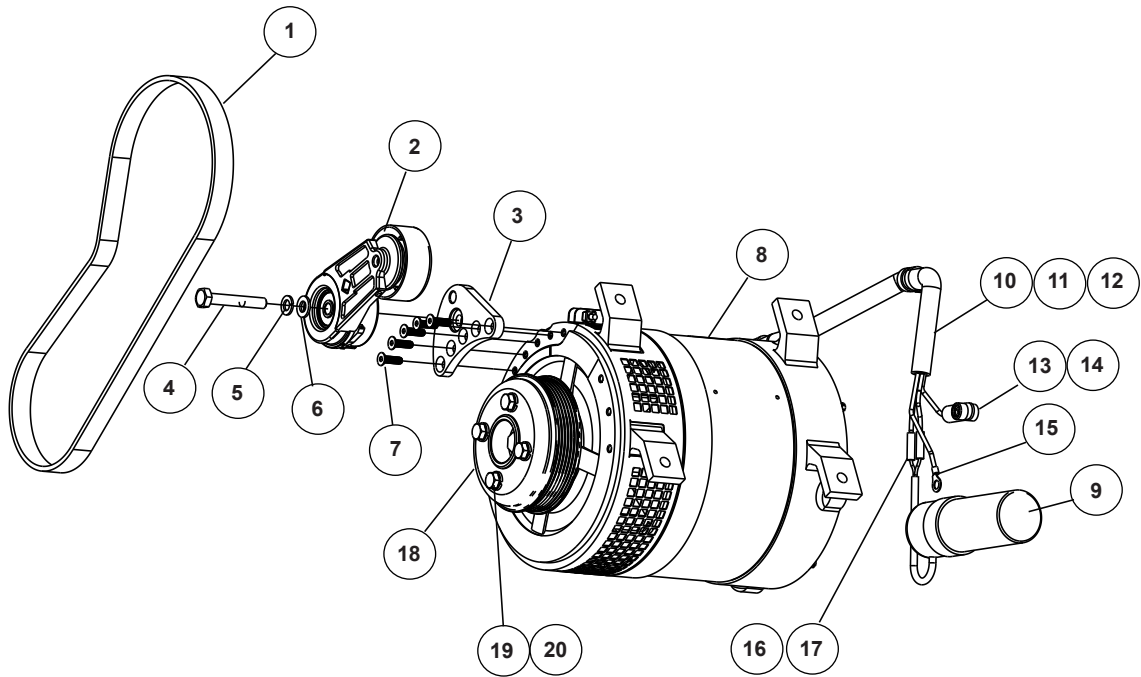
<b>8. Air Filter System</b>			
<b>Item</b>	<b>Part #</b>	<b>Description</b>	<b>QTY</b>
1	25-021-01K	Nut, 5/16" Nylock	3
2	25-016-50K	Washer, 5/16" Flat, SST	3
3	30-946-41K	Hose, Inlet	1
4	27-069-02K	Clamp, 1-1/2" Diameter, P	1
5	27-088-01K	Clamp, 2-1/8" Diameter, Spring	2
6	30-724-05K	Air Filter Assembly, with Filter	1
7	30-800-01K	Mount, Air Filter Assembly	1
8	30-60049-20PK24	Filter, Air	1
9	25-39599-00	Assembly, Manifold Inlet - Includes:	1
10	25-34986-00	Gasket, Manifold Inlet	1
11	25-34104-00	Bolt	1
12	25-39084-00	Bolt	2
13	30-00471-31	Kazoo, Air Cleaner	1

## 9. Coolant System - Water Pump/Thermostat



Item	Part #	Description	QTY
1	25-250-01K	Screw, Hex Head, M8-1.25 X 25	2
2	25-016-01K	Washer, Flat 5/16 IS X 3/4 OD	2
3	25-019-01K	Washer, Lock, 5/16 ID	1
4	25-102-01K	Nut, Lock, M8-1.25, Nylock	1
5	25-S12-01K	Bolt, Carriage, M10-1.5 X 35 Lg	3
6	25-S30-01K	Screw, Hex Head, M10-1.5 X 45 Long	1
7	25-S05-01K	Washer, Flat, 10 ID X 25 X 4 Thick	1
8	25-S20-01K	Nut, Flanged, M10, Surrated	4
9	30-G85-82K	Generator Bracket Kit	1

# 10. Generator Assembly

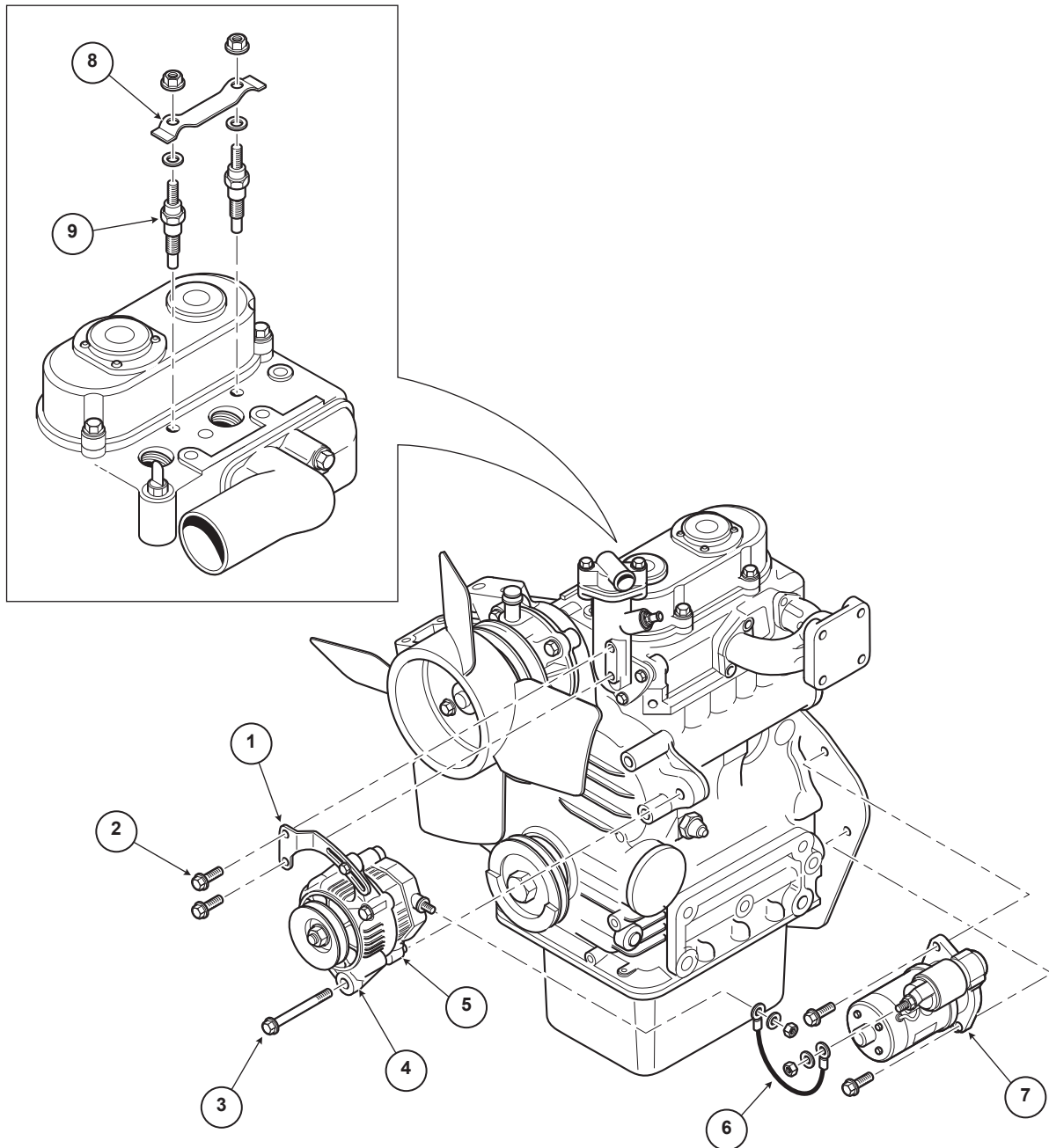


**Engine Pulley**

<b>10. Generator Assembly</b>			
<b>Item Number</b>	<b>Part Number</b>	<b>Part Description</b>	<b>Quantity</b>
1	50-01194-01	Belt, Poly V-Rib, 6 Groove, 42" Long	1
2	50-01193-00	Belt, Tensioner, 100mm Arm, Poly Rib	1
3	48-01066-00	Bracket, Belt Tensioner	1
4	34-00873-65	Screw, Cap, Hex Head, M10 X 65mm Long	1
5	34-01356-10	Washer, Lock, M10, Curved	9
6	34-00944-10	Washer, Plain, M10	1
7	34-01355-08	Screw, Flat Head, Socket, 1/4-28 X 1.00" Long	5
8	79-02455-50SV	Generator Assembly, Tensioner Mount - Includes:	1
3	48-01066-00	Bracket, Belt Tensioner	1
7	34-01355-08	Screw, Flat Head, Socket, 1/4-28 X 1.00" Long	5
9	40-S20-92K	Capacitor ( Included with 79-02455-50SV)	1
10	58-00848-00	Tube, Slit, 1/2" ID x 25 Ft Long	1.33 Ft
11	44-00102-52	Clamp, Cushioned, 0.56" ID	2
12	25-G93-50K	Washer, Fender, 5.3mm x 15mm X 1.2 mm	1
13	22-00125-03	Terminal, Ring, #10 Stud, 10-12 GA	1
14	58-01426-00	Boot, Terminal	1
15	22-00125-05	Terminal, Ring, 5/16" Stud, 10-12 GA	1
16	22-01292-02	Butt Splice, Non Insulated, 14-16 GA	2
17	22-01327-00	Heat Shrink, 1/4"	0.38 Ft
18	50-01191-00	Pulley, 5.0" OD, 6-Groove, Generator	1
19	34-00304-06	Screw, Cap Hex Head, 3/8-16 X 0.75" Long	4
20	34-00368-13	Washer, Lock, Spring, 3/8"	4
21	50-01192-00	Pulley, Poly-V, 6-Groove, 7" OD	1
22	34-00945-08	Washer, Lock, Spring, M8	5
23	34-00876-20	Screw, Cap, Hex Head, M8 X 20mm	5

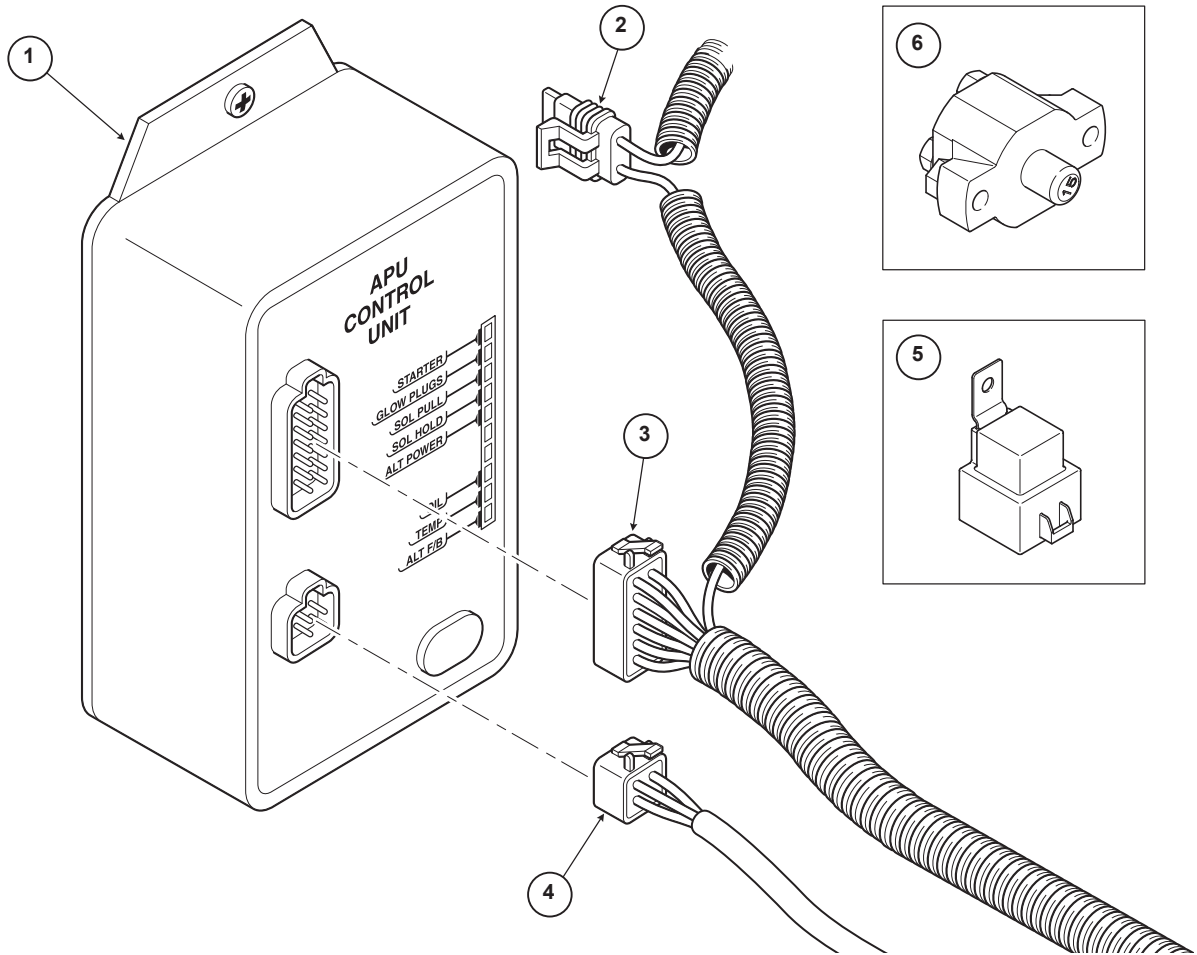


## 11. Electrical System - Alternator/Starter Motor/Glow Plugs



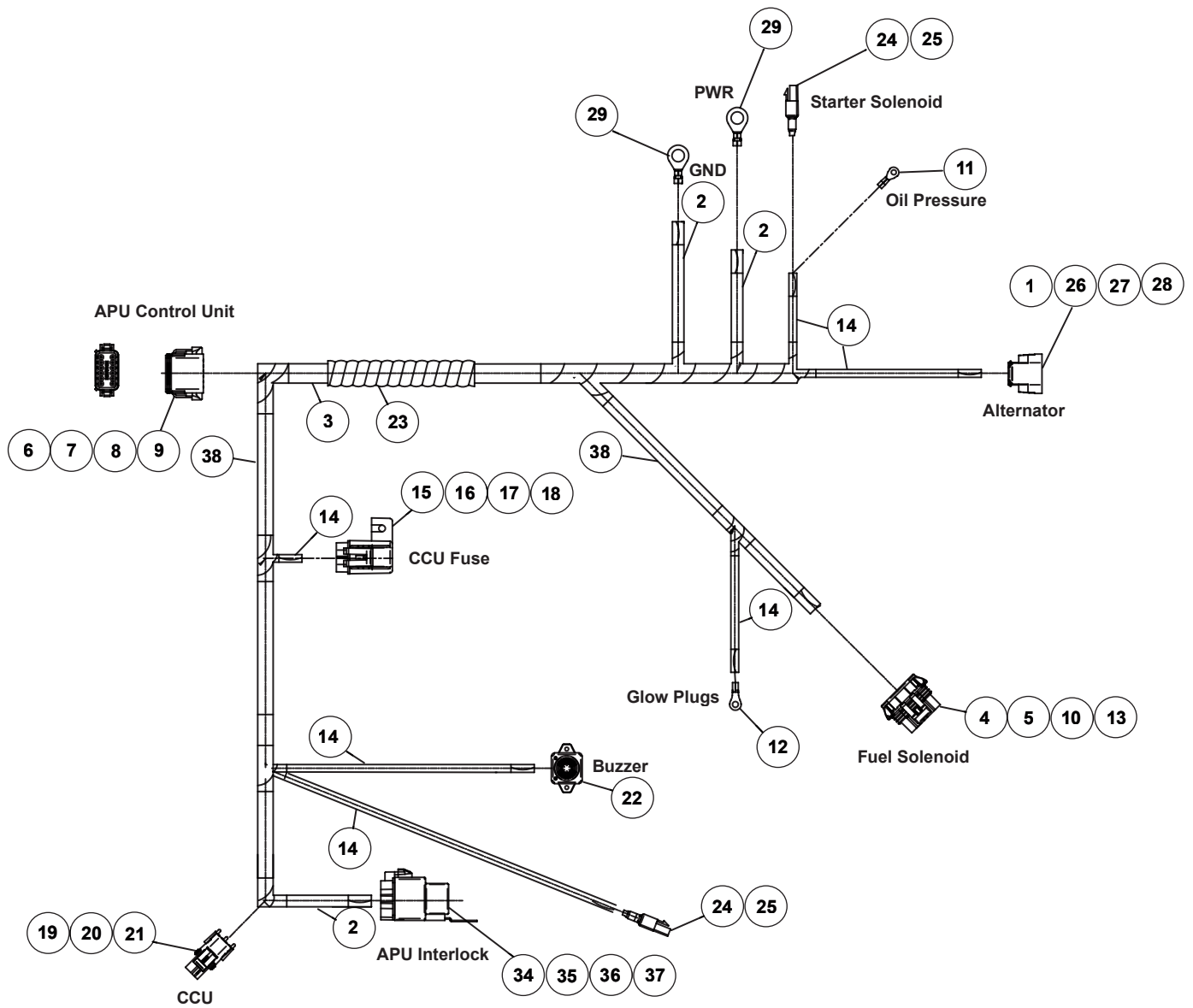
Item	Part #	Description	QTY
1	25-39641-00	Tension Arm, Alternator	1
2	25-39084-00	Bolt	2
3	25-37665-00	Bolt, Alternator	1
4	96-101-21K	Alternator, 60 Amp DC	1
5	96-111-03K	Spacer, Alternator	1
6	30-259-01K	Harness, Alt/Pos, 1/4" - 3/8"	1
7	25-39880-00SV	Starter, Engine with Solenoid	1
8	25-34832-00	Busbar with Fasteners	1
9	25-15330-00	Glow Plug	2

## 12. Electrical System - APU



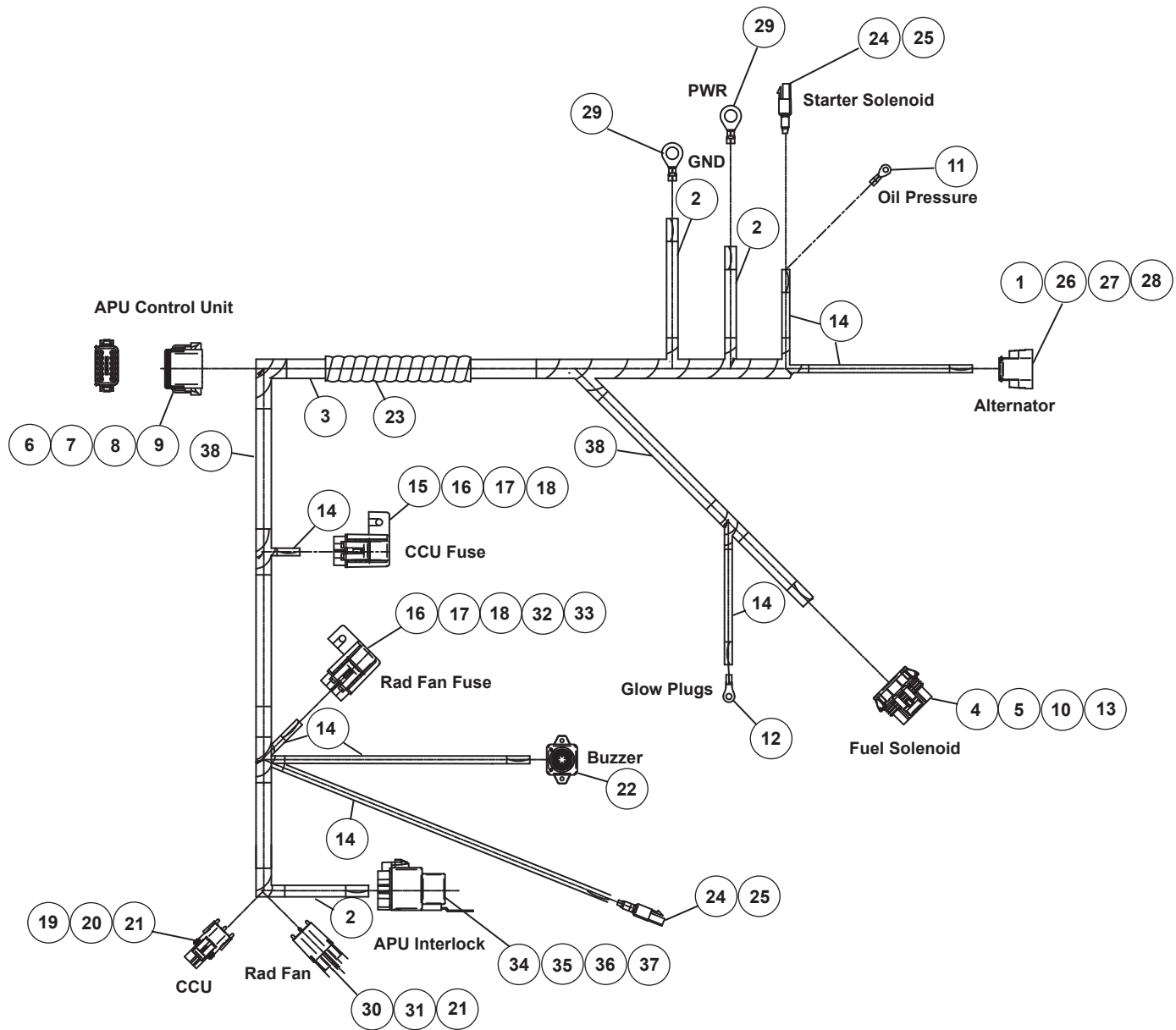
Item	Part #	Description	QTY
1	30-726-06K	APU Control Unit	1
2	26-086-01K	Fuse, ATC, 20 Amp	1
3	30-G73-20K	Harness, Engine with Interlock (for 200INT, 220PWR, 230PWR)	1
	30-G73-19K	Harness, Engine with Interlock (for 210STA)	
4	30-746-01K	Harness, APU Control	1
5	26-092-02K	Relay, 12VDC, Weatherproof	1
6	26-456-02K	Breaker, 15A, 210STA	1
NS	30-730-17K	Harness, Engine Cooling Fan (210STA)	1
NS	74-01046-00	Harness, Block Heater Kit (210STA)	1
NS	30-G73-02K	Universal Engine Harness Upgrade Kit	1

**12a. Engine Harness with Interlock (200INT, 220PWR, 230PWR Units Only)**



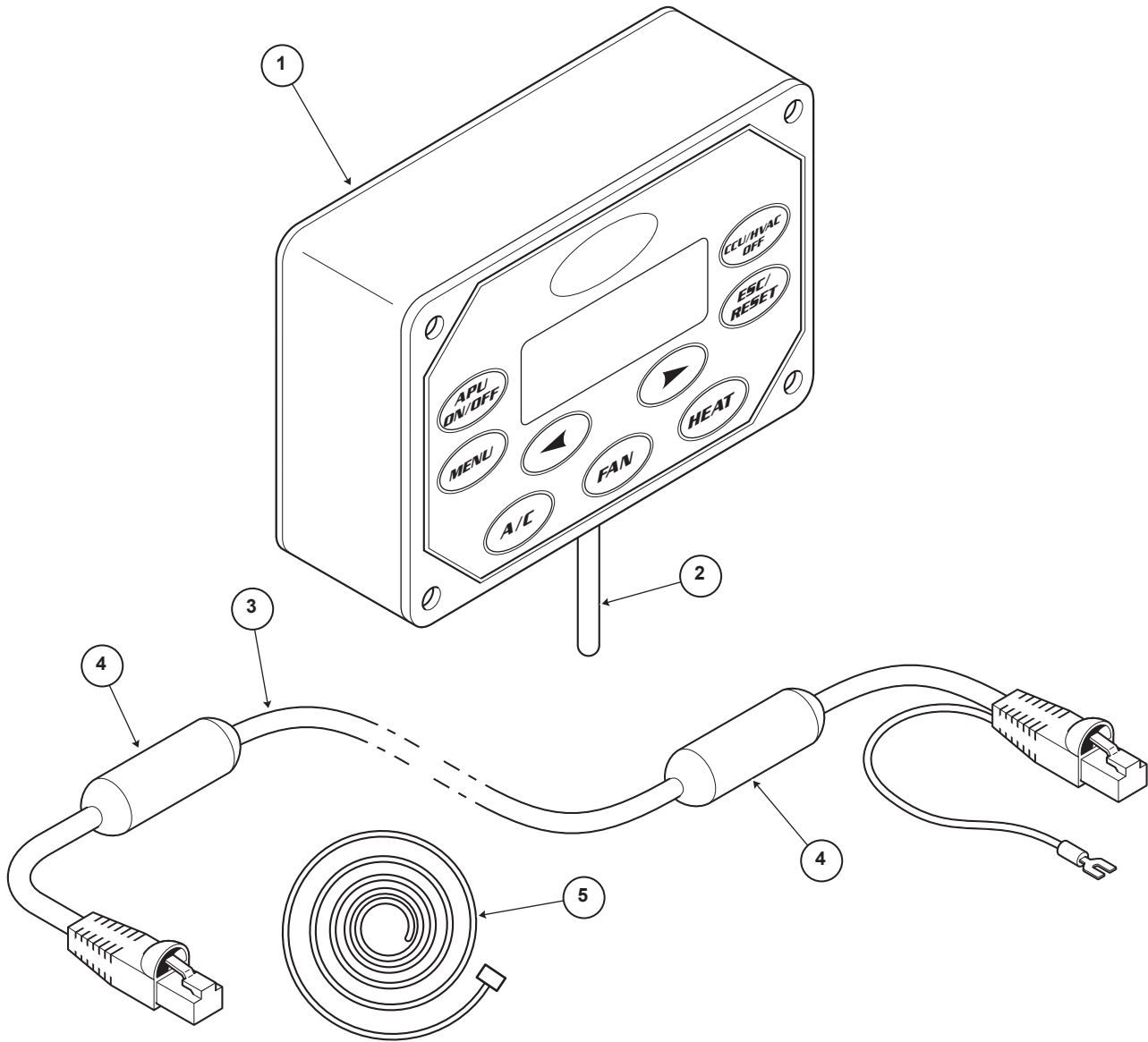
<b>12a. Engine Harness with Interlock (200INT Units Only)</b>			
<b>Item</b>	<b>Part Number</b>	<b>Description</b>	<b>QTY</b>
	30-G73-20K	Harness, Engine, Integrated APU, with Interlock	
1	22-50455-54SV	Connector,Female,Gray, 3-Pin	1
NSS	22-50455-54	Connector,Female,Gray, 3-Pin	1
26	22-50098-62C	Terminal, 2-Pin	2
27	22-50455-57	Plug, Cavity (Connector)	1
28	22-50455-56B	Seal, Cable	2
2	58-04321-00	Tube, Slit, Corrugated, 3/8" ID	1.04 Feet
3	58-00849-00	Tube, Slit, Corrugated, 5/8" ID	1.17 Feet
4	22-50078-53C	Seal, Cable,Red	3
5	22-50078-49F	Terminal, Female, 14-16 GA	3
6	22-01613-25	Plug, 12 Socket	1
7	22-01613-29	Lock, Secondary, 12-Socket	1
8	22-01613-13	Contact, Socket, #16	8
9	22-01613-20	Contact, Socket, #14	4
10	22-50078-81	Connector, Female, 3-Way	1
NSS	22-50078-87	Connector, Female, 3-Way	1
4	22-50078-53C	Seal, Cable,Red	3
5	22-50078-49F	Terminal, Female, 14-16 GA	3
13	22-50078-80A	Lock, Secondary, 3 Socket	1
11	22-50122-74	Terminal, Ring, M4, 14-18 GA	1
12	22-00125-03	Terminal, Ring, #10 Stud, 10-12 GA	1
13	22-50078-80A	Lock, Secondary, 3 Socket	1
14	58-00858-00	Tube, Slit, Corrugated, 1/4" ID	2.80 Feet
15	22-02336-01	Fuse, 20 Amp	1
16	22-50078-23	Cover, Fuse Holder	1
17	22-50078-22	Fuse Holder, In Line, 2-Pin	1
18	22-50078-49L	Terminal, Female, 14-16 GA	2
19	22-01585-00	Connector, Female, 2-Pin	1
20	22-50078-58G	Terminal, Female, 14-16 GA	2
21	22-02394-00	Seal, Cable, Gray	4
22	30-768-00K	Buzzer	1
23	58-01474-00	Sleeve, 3/4" ID	0.4 Feet
24	22-50098-07E	Terminal, Female, 14-20 GA	2
25	22-50098-06	Connector, Female, 1 -Pin	2
26	22-50098-62C	Terminal, 2-Pin	2
27	22-50455-57	Plug, Cavity (Connector)	1
28	22-50455-56B	Seal, Cable	2
29	22-50122-61	Terminal, Ring, 3/8", 8-12 GA	2
34	22-50078-49K	Terminal, Female, 18-20 GA	4
35	10-00286-26	Relay, 40 Amp, 12 VDC, Weatherproof Cover	1
36	22-50098-92	Connector Assembly, Female, Relay	1
37	22-50098-66-B	Lock, Secondary, CPA	1
38	58-00848-00	Tube, Slit, Corrugated, 1/2" ID	2.25 Feet

**12b. Engine Harness with Interlock (210STA Units Only)**



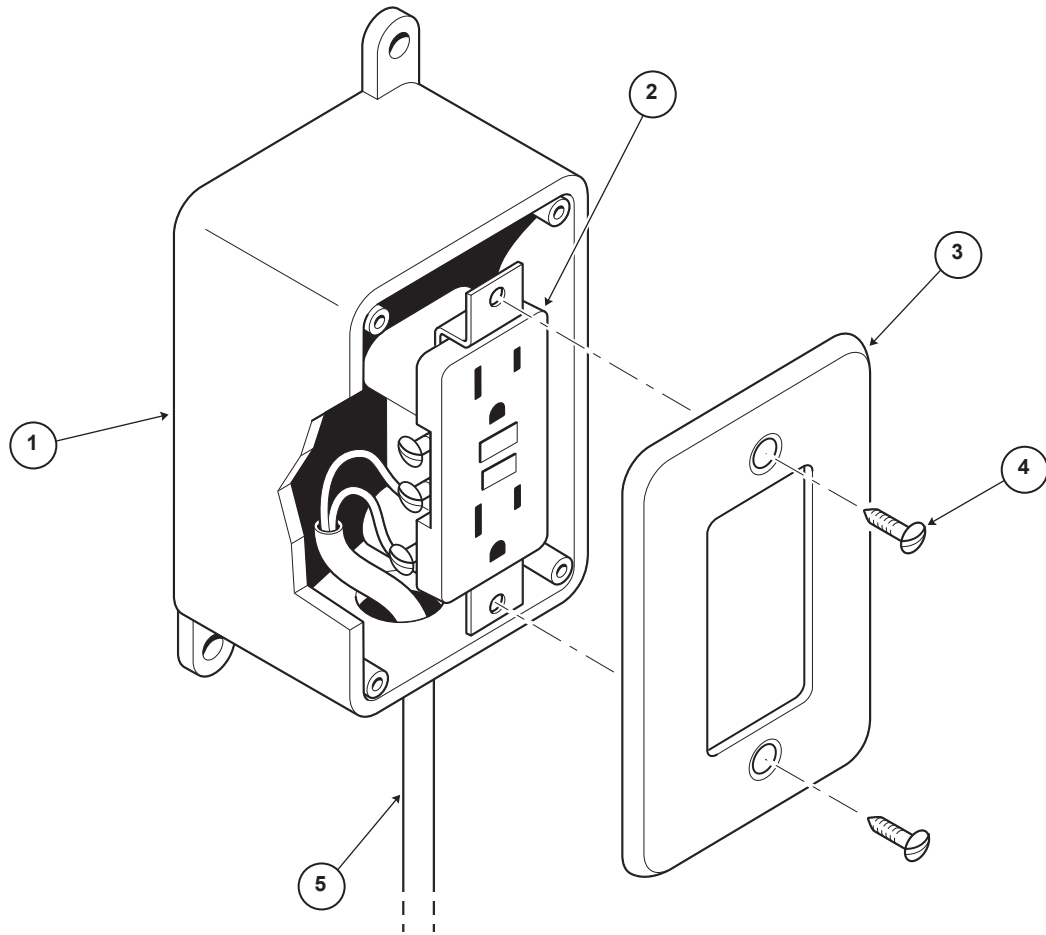
<b>12b Engine Harness with Interlock (210STA Units Only)</b>			
<b>Item</b>	<b>Part Number</b>	<b>Description</b>	<b>QTY</b>
	30-G73-19K	Harness, Engine, Stand Alone APU - Includes:	
1	22-50455-54SV	Connector,Female,Gray, 3-Pin - Includes:	1
NSS	22-50455-54	Connector,Female,Gray, 3-Pin	1
26	22-50098-62C	Terminal, 2-Pin	2
27	22-50455-57	Plug, Cavity (Connector)	1
28	22-50455-56B	Seal, Cable	2
2	58-04321-00F50	Tube, Slit, Corrugated, 3/8" ID x 50 ft	1.04 Feet
3	58-00849-00	Tube, Slit, Corrugated, 5/8" ID x 25 ft	1.17 Feet
4	22-50078-53C	Seal, Cable,Red	3
5	22-50078-49F	Terminal, Female, 14-16 GA	3
6	22-01613-25	Plug, 12 Socket	1
7	22-01613-29	Lock, Secondary, 12 Socket	1
8	22-01613-13	Contact, Socket, #16	8
9	22-01613-20	Contact, Socket, #14	4
10	22-50078-87SV	Connector, Female, 3-Way - Includes:	1
NSS	22-50078-87	Connector, Female, 3-Way	1
4	22-50078-53C	Seal, Cable,Red	3
5	22-50078-49F	Terminal, Female, 14-16 GA	3
13	22-50078-80A	Lock, Secondary, 3 Socket	1
11	22-50122-74	Terminal, Ring, M4, 14-18 GA	1
12	22-00125-03	Terminal, Ring, #10 Stud, 10-12 GA	1
13	22-50078-80A	Lock, Secondary, 3-Socket	1
14	58-00858-00	Tube, Slit, Corrugated, 1/4" ID x 25 ft	2.80 Feet
15	22-02336-01	Fuse, 20 Amp	1
16	22-50078-23	Cover, Fuse Holder	1
17	22-50078-22	Fuse Holder, In Line, 2-Pin	1
18	22-50078-49L	Terminal, Female, 14-16 GA	2
19	22-01585-00SK	Connector, Female, 2-Pin	1
20	22-50078-58G	Terminal, Female, 14-16 GA	2
21	22-02394-00	Seal, Cable, Gray	4
22	30-768-00K	Buzzer	1
23	58-01474-00	Sleeve, 3/4" ID	0.4 Feet
24	22-50098-07E	Terminal, Female, 14-20 GA	2
25	22-50098-06	Connector, Female, 1-Pin	2
26	22-50098-62C	Terminal, 2-Pin	2
27	22-50455-57	Plug, Cavity (Connector)	1
28	22-50455-56B	Seal, Cable	2
29	22-50122-61	Terminal, Ring, 3/8", 8-12 GA	2
30	22-02393-00	Terminal, Male, 14-16 GA	2
31	22-02392-00SV	Connector, Male, 2-Pin - Includes:	1
NSS	22-02392-00	Connector, Male, 2-Pin	1
21	22-02394-00	Seal, Cable, Gray	2
30	22-02393-00	Terminal, Male, 14-16 GA	2
32	22-02336-06	Fuse, 15 Amp	1
33	22-04331-00	Clip, Push On	1
34	22-50078-49K	Terminal, Female, 18-20 GA	4
35	10-00286-26	Relay, 40 Amp, 12 VDC, Weatherproof Cover	1
36	22-50098-92	Connector Assembly, Female, Relay	1
37	22-50098-66B	Lock, Secondary, CPA	1
38	58-00848-00	Tube, Slit, Corrugated, 1/2" ID x 25 ft	2.25 Feet

### 13. Electrical System - Driver Control Panel



Item	Part #	Description	QTY
1	30-737-90K	Driver Control Panel - Includes:	1
2	30-867-05K	Extended Temperature Sensor	1
3	30-742-05K	Harness, Driver Control Panel	1
4	26-712-01K	Ferrite Bead	2
5	30-867-00K	Remote Temperature Sensor Kit	1

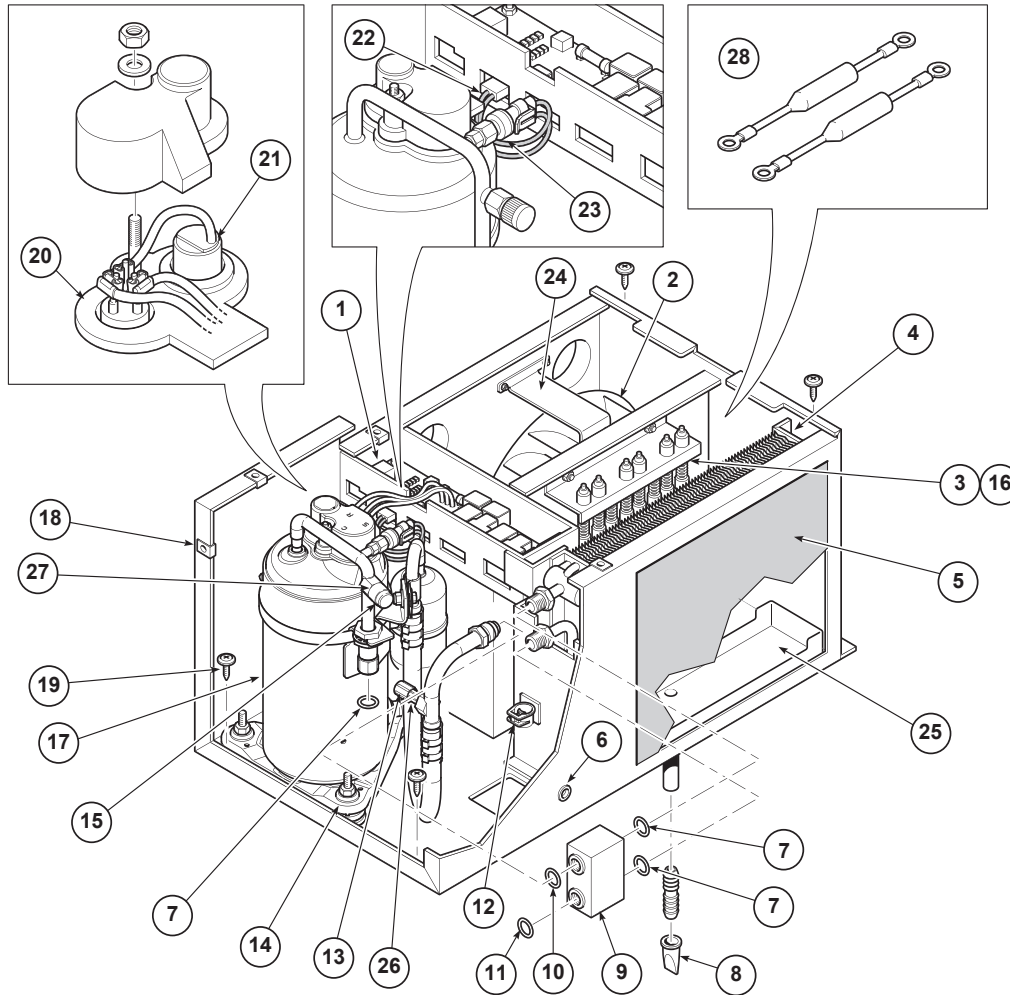
## 14. Electrical System - 120 VAC Receptacle



Item	Part #	Description	QTY
1	58-60604-00	Receptacle Box	1
2	22-03142-00	Receptacle, 115 VAC	1
3	68-08629-00	Cover, Receptacle, 115 VAC	1
4	34-01361-08	Bolt, Phillips Head, #6-32 x 1/2"	2
5	22-03097-00	Harness, Receptacle	1
NS	22-02324-10	Ferrule, Bare	1
NS	22-67116-25	Ferrule, Insulated	2
NS	58-60605-00	Connector, Electric	1

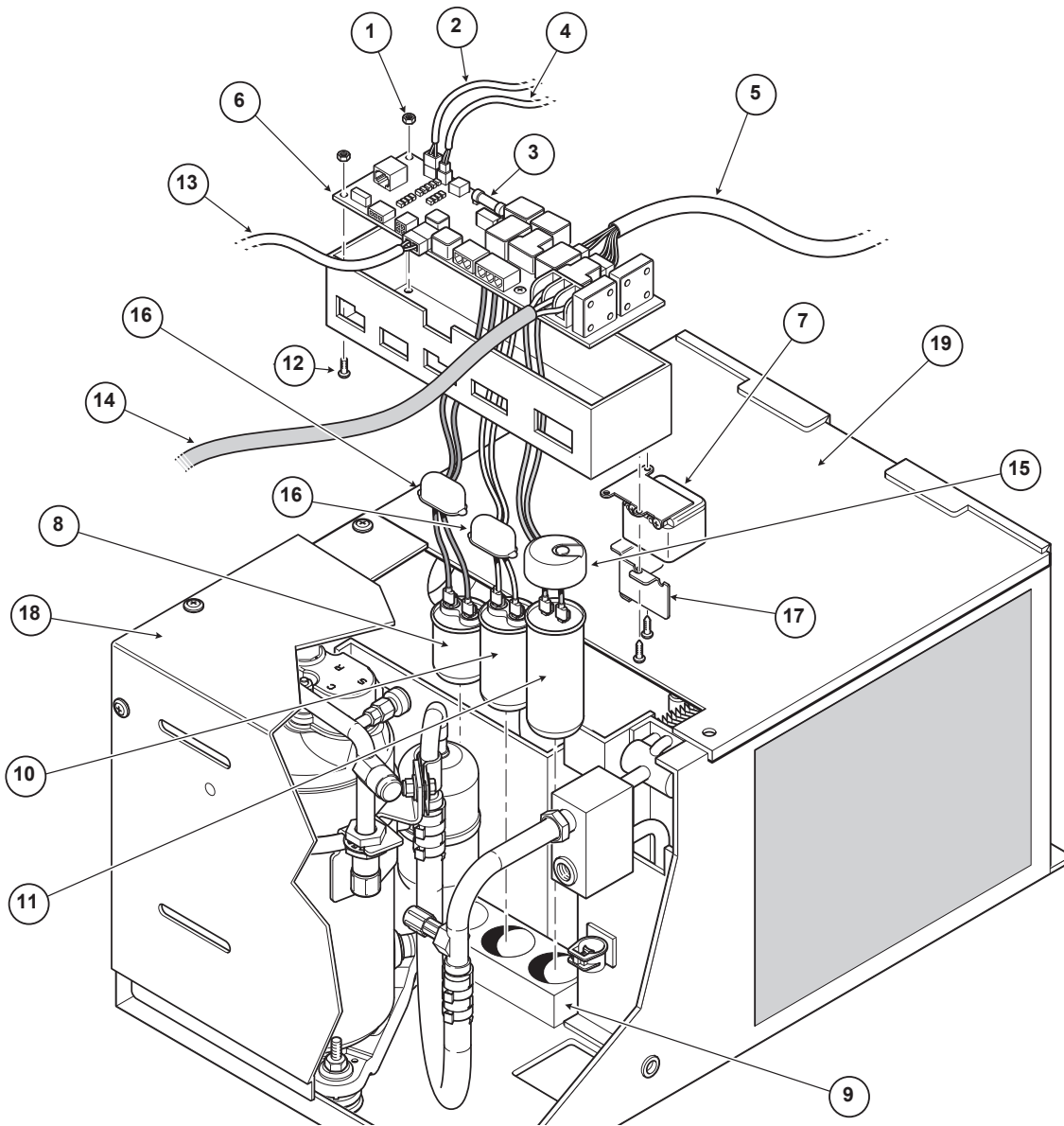


## 15. Air Conditioning System - Internal Components



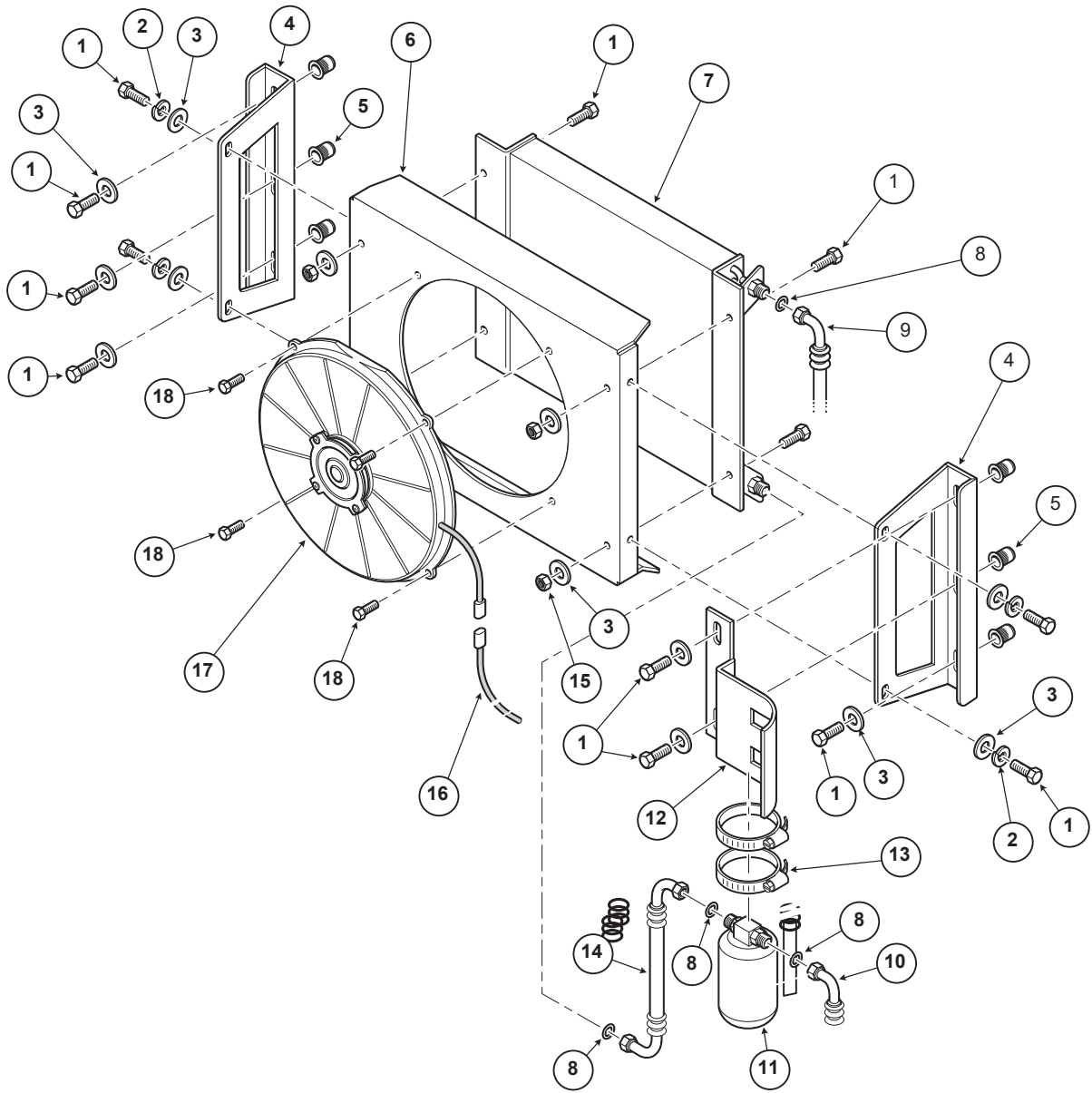
<b>15. Air Conditioning System - Internal Components</b>			
<b>Item</b>	<b>Part #</b>	<b>Description</b>	<b>QTY</b>
1	55-677-66K	Controls, CCU (see section 15)	1
2	30-780-01K	Blower Fan with Wiring	1
3	30-759-00K	Heating Unit with Wiring	1
4	55-816-01K	Evaporator Coil, Complete	1
5	55-833-01K	Filter Screw, Air Inlet	1
6	25-464-01K	Grommet, 1/2" x 3/4"	1
7	55-220-52K	O-Ring, #8, R-134a HNBR	3
8	30-868-01K	Duckbill, CCU Drain	1
9	55-817-01K	Valve, TX, CCU	1
10	55-220-54K	O-Ring, #8, R-134a HNBR	1
11	55-220-50K	O-Ring, #10 R-134a HNBR	1
12	30-961-01K	Strain Relief, 0.6" x 1.15"	1
13	55-090-01K	Schrader Caps, Small	1
14	30-781-05K	Mounting Hardware, Compressor (includes three sets of washers, nuts, bolts and shock mounts)	1
15	55-075-01K	Schrader Caps, Large	1
16	30-759-55K	Harness, Heater Fan	1
17	55-810-03K	Compressor, Complete	1
18	25-290-01K	Nuts, CCU Panel	6
19	55-190-01K	Screw, Self-Tapping, 10x1	6
20	55-121-08K	Gasket, A/C Compressor	1
21	55-121-07K	Breaker, A/C Compressor	1
22	55-850-01K	Harness, Pressure Switch	1
23	55-851-01K	Switch, Binary, R-134a	1
24	55-800-50K	Bracket, Blower	1
25	55-800-55K	Drain Pan Assembly, Evaporator	1
26	55-800-60K	Schrader Core (Low Side)	1
27	55-800-65K	Schrader Core (High Side)	1
28	30-759-04K	Thermal Fuse Kit	1
NS	55-800-02K	Evaporator/Hear Unit, Complete	1
NS	55-060-00K	Schrader Valve and Caps	1

## 16. Air Conditioning System - CCU Controller



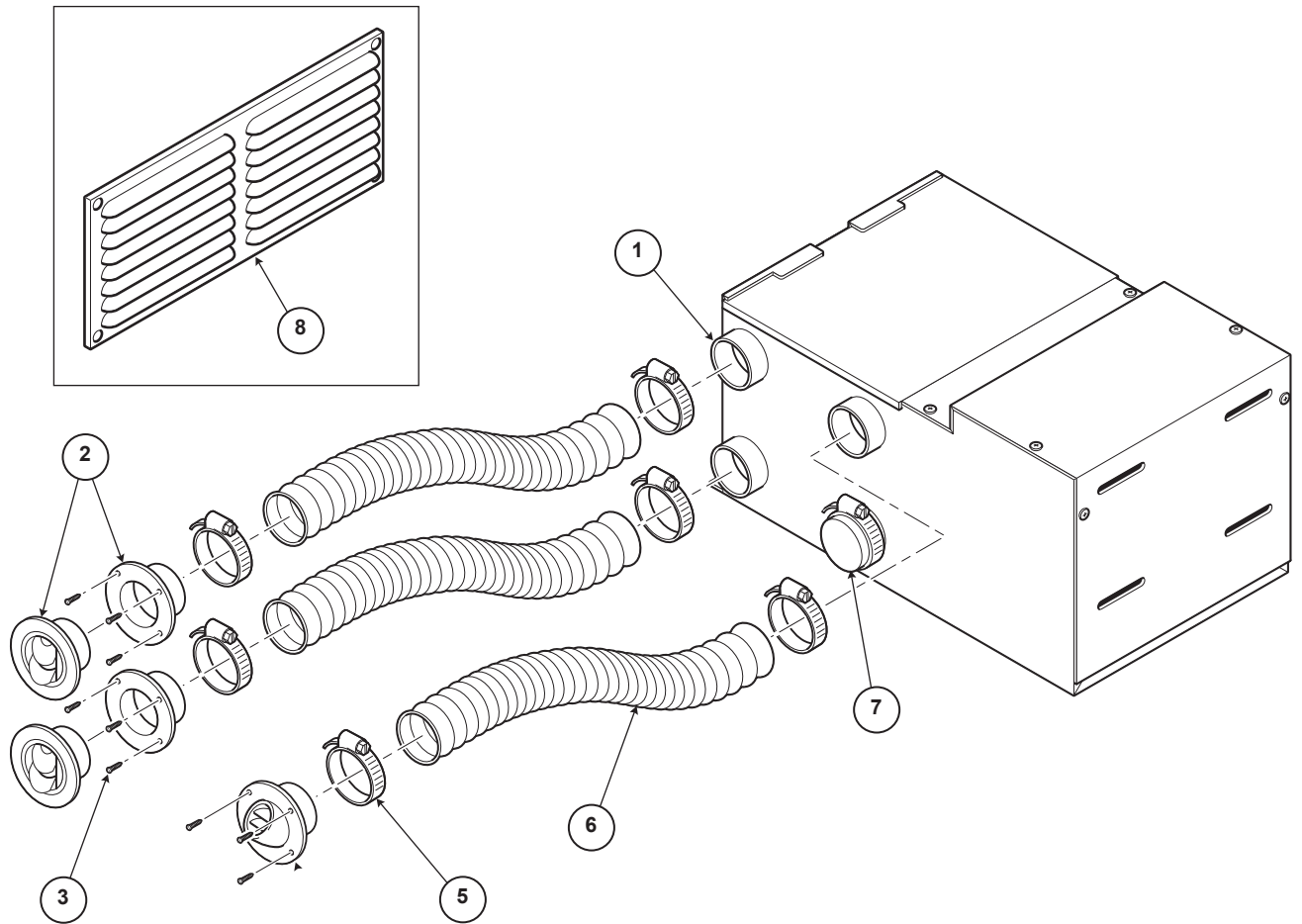
<b>16. Air Conditioning System - CCU Controller</b>			
<b>Item</b>	<b>Part #</b>	<b>Description</b>	<b>QTY</b>
1	25-130-01K	Nut, 8-32	2
2	30-751-01K	Sensor, Evaporator Temperature	1
3	26-575-01K	Fuse, 3 Amp, CCU	1
4	30-750-01K	Sensor, Heater	1
5	30-759-55K	Harness, Heater Fan	1
6	55-677-66K	Controls, CCU (Includes items 3, 5, 15, 16)	1
7	55-815-01K	Relay, Potential	1
8	40-203-01K	Capacitor, 25 mfd	1
9	55-812-01K	Bracket, Capacitor, CCU, Foam	1
10	55-814-01K	Capacitor, 35uF Compressor Run	1
11	55-813-01K	Capacitor, Start 134A, Compressor	1
12	25-076-01K	Screw, Phillips Head, 8-32 x 1/4" (10/pkg)	5
13	30-731-02K	Harness, CCU, 12V	1
14	30-538-01K	Harness, 10 AWG, Armored (Teck Cable)	1
15	N/A	Capacitor, End Cap (see item 6)	1
16	N/A	Capacitor, Boot (see item 6)	2
17	55-800-30K	Bracket, Relay Mount	1
18	55-800-35K	Cover, Compressor	1
19	55-800-40K	Cover, Evaporator	1

# 17. Air Conditioning System - Condenser



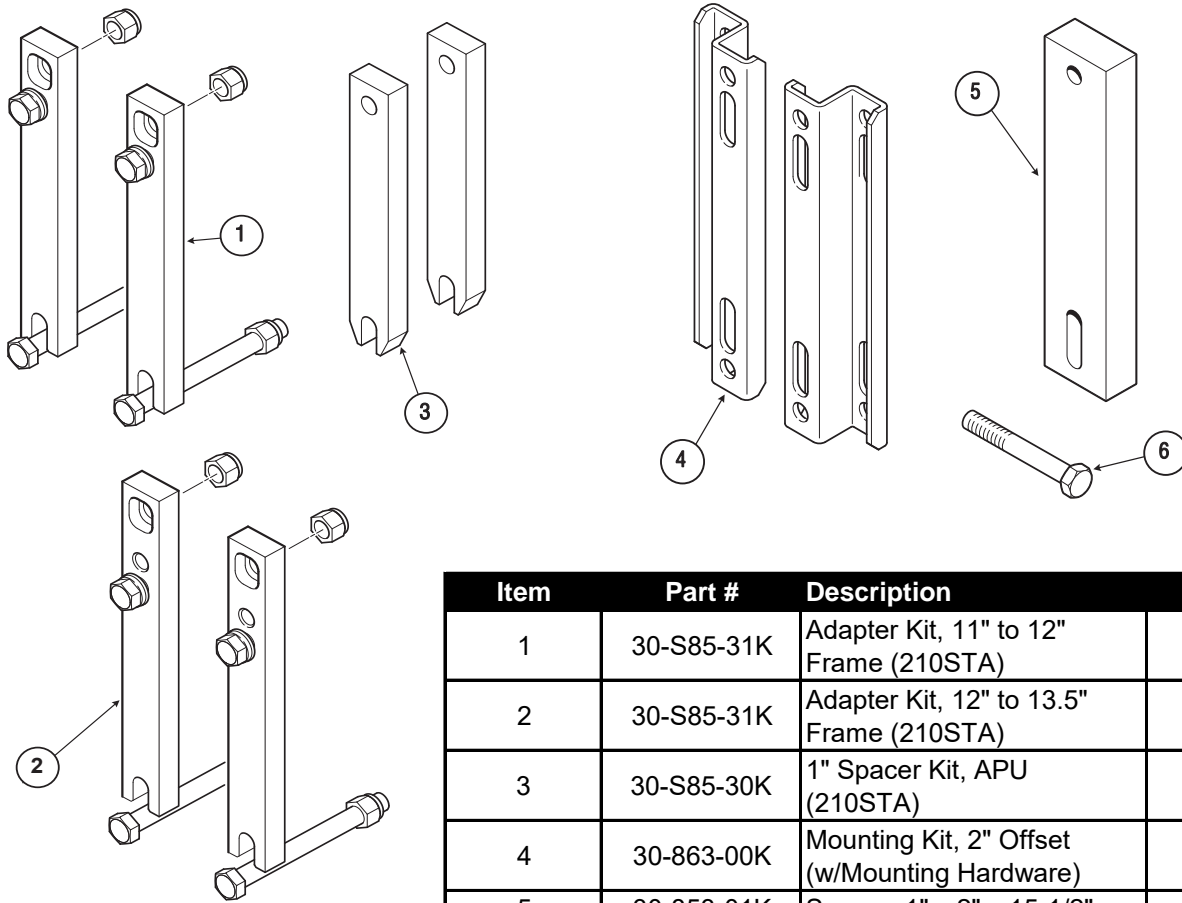
<b>17. Air Conditioning System - Condenser</b>			
<b>Item</b>	<b>Part #</b>	<b>Description</b>	<b>QTY</b>
1	25-023-50K	Bolt, Hex Head, 5/16" SST	10
2	25-019-50K	Washer, 5/16" Lock, SST	4
3	25-016-50K	Washer, 5/16" Flat, SST	14
4	55-882-01K	Bracket, Condenser Mount, Standard	2
	55-882-02K	Bracket, Condenser Mount, Tilt	
5	25-306-01K	Nutsert, 5/16" NC	6
6	55-884-01K	Housing, Condenser Coil	1
7	55-881-01K	Condenser Coil	1
8	55-220-50K	O-Ring, #6, Green	4
9	55-220-60K	Hose, A/C Discharge	1
10	55-220-70K	Hose, A/C Liquid	1
11	55-831-01K	Drier	1
12	55-832-01K	Bracket, Drier	1
13	27-146-01K	Clamp, Gear, Drier	2
14	55-220-80K	Hose, Liquid, Condenser to Drier	1
15	25-015-50K	Nut, 1/4-20 Nylock, SST	4
16	30-757-01K	Harness, Condenser Fan	1
17	54-00719-00	Fan, Condenser	1
18	25-003-50K	Bolt, HHCS 1/4-20X3/4 SST	4
NS	55-880-01K	Condenser Assembly (includes items 4, 6, 7 and 17)	1

## 18. Air Conditioning System - Outer Casing/Vent Ducts



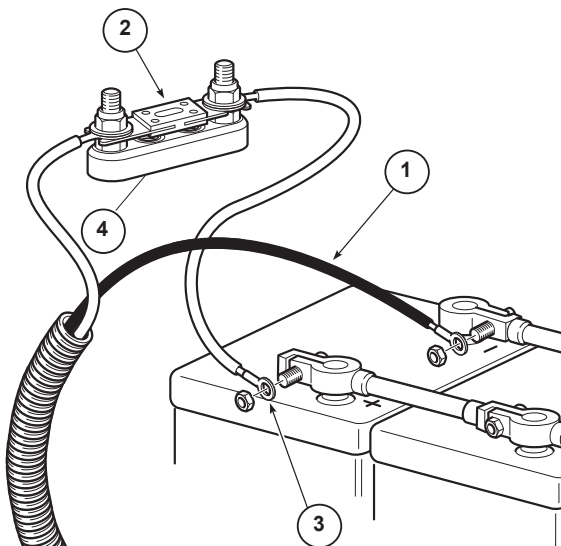
Item	Part #	Description	QTY
1	55-699-01K	Ring, Outlet, 3"	4
2	55-146-01K	Diffusers, 3"	2
3	25-401-01K	Screw, Self-Tapping, 8 x 1-1/4"	20
4	55-145-06K	Diffusers, 3", 60 Degrees	1
5	27-001-01K	Clamp, 3" Diameter, Gear	6
6	55-318-01K	Hose, Ducting, 3" Diameter x 12-1/2 feet	1
7	55-216-01K	Outlet Cover, CCU	1
8	30-836-01K	Grille, Return Air	2
	PK0315	Duct Kit (includes items 2, 3, 4, 5, 6 and 8)	1

## 19. Accessories - Frame Mounting Brackets



Item	Part #	Description	QTY
1	30-S85-31K	Adapter Kit, 11" to 12" Frame (210STA)	1
2	30-S85-31K	Adapter Kit, 12" to 13.5" Frame (210STA)	1
3	30-S85-30K	1" Spacer Kit, APU (210STA)	1
4	30-863-00K	Mounting Kit, 2" Offset (w/Mounting Hardware)	1
5	30-853-01K	Spacer, 1" x 2" x 15-1/2"	2
6	25-411-01K	Bolt, Hex Head, 3/4" NC x 9"	4

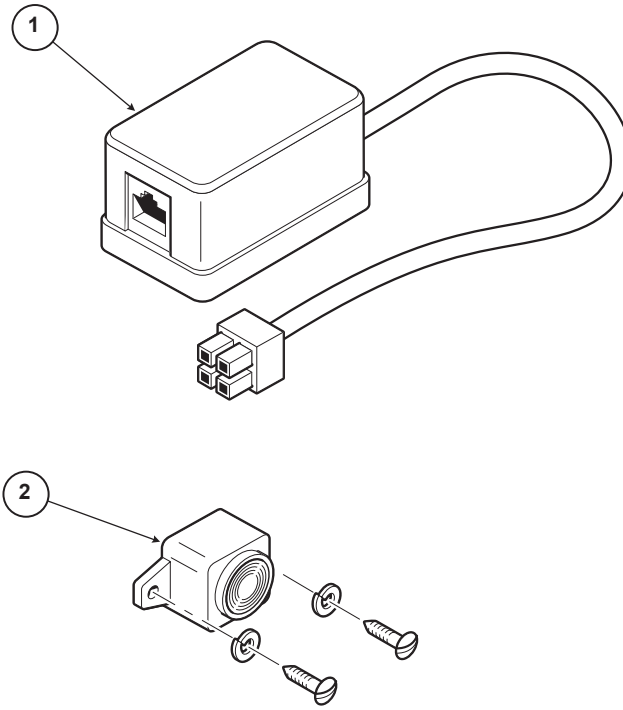
## 20. Accessories - Battery Cables



Item	Part #	Description	QTY
1	30-806-03K	Cable, Battery, Dual (with ring terminals and loom)	20 feet
2	26-B20-03K	200A Fusible Link	1
3	30-957-00K	Battery Terminal Kit (two ring terminals and heat shrink)	1
4	26-B20-02K	Fuseholder	1

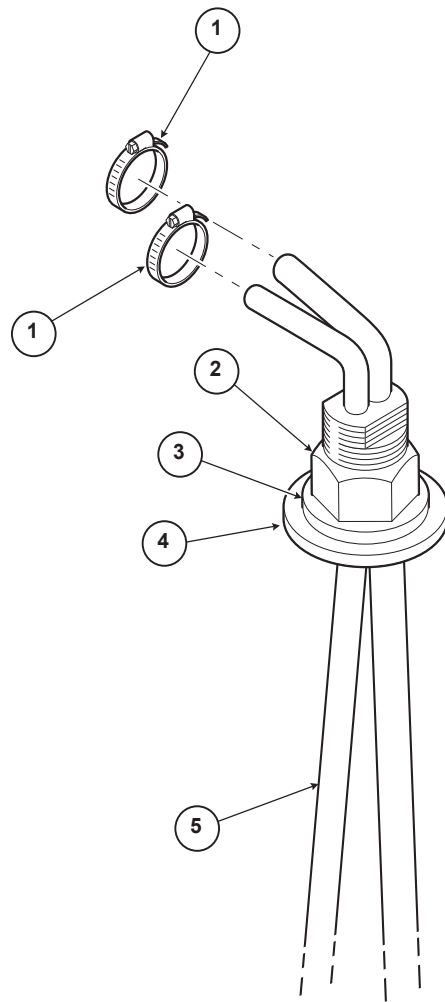


## 21. Accessories - Buzzer Kit/APU Control Cable Converter



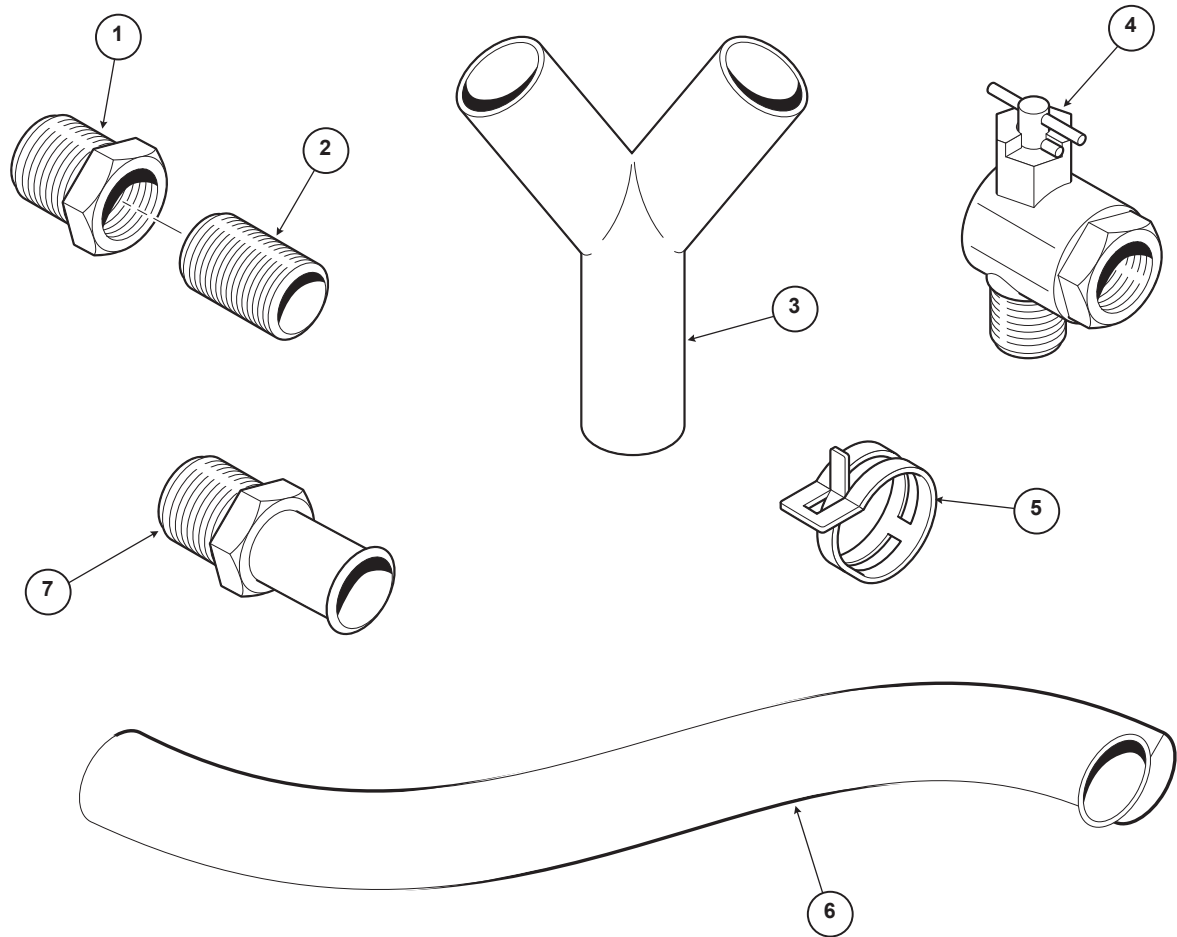
Item	Part #	Description	QTY
1	30-848-01K	APU Control Cable Converter	1
2	30-768-00K	Buzzer with Fasteners	1

## 22. Accessories - Fuel Pickup Kit



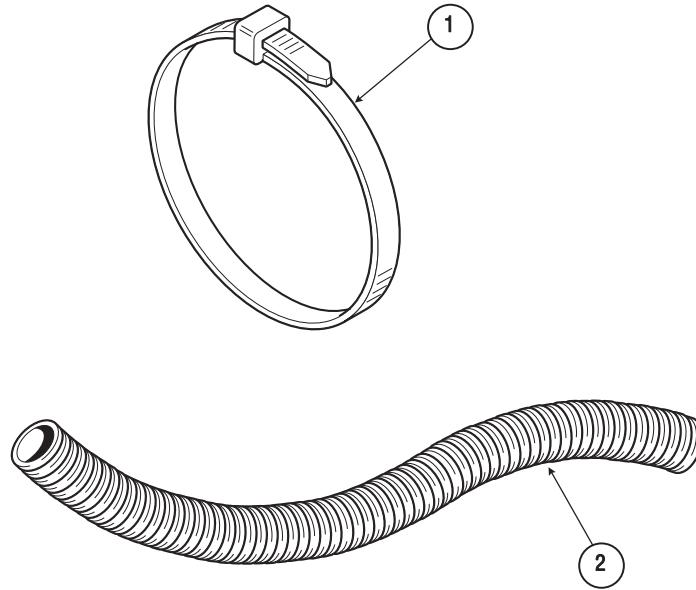
Item	Part #	Description	QTY
1	27-076-01K	Clamp, 1/4" Diameter, Gear	2
2	25-310-01K	Nut, 3/4" NC, Jam	1
3	25-315-01K	Washer, 3/4" x 1-1/2" OD	1
4	30-796-02K	Gasket, Fuel Pickup	1
5	30-795-10K	Fuel Pickup, 3/16" and 5/16" (includes items 3 and 4)	1

## 23. Accessories - Engine Fittings



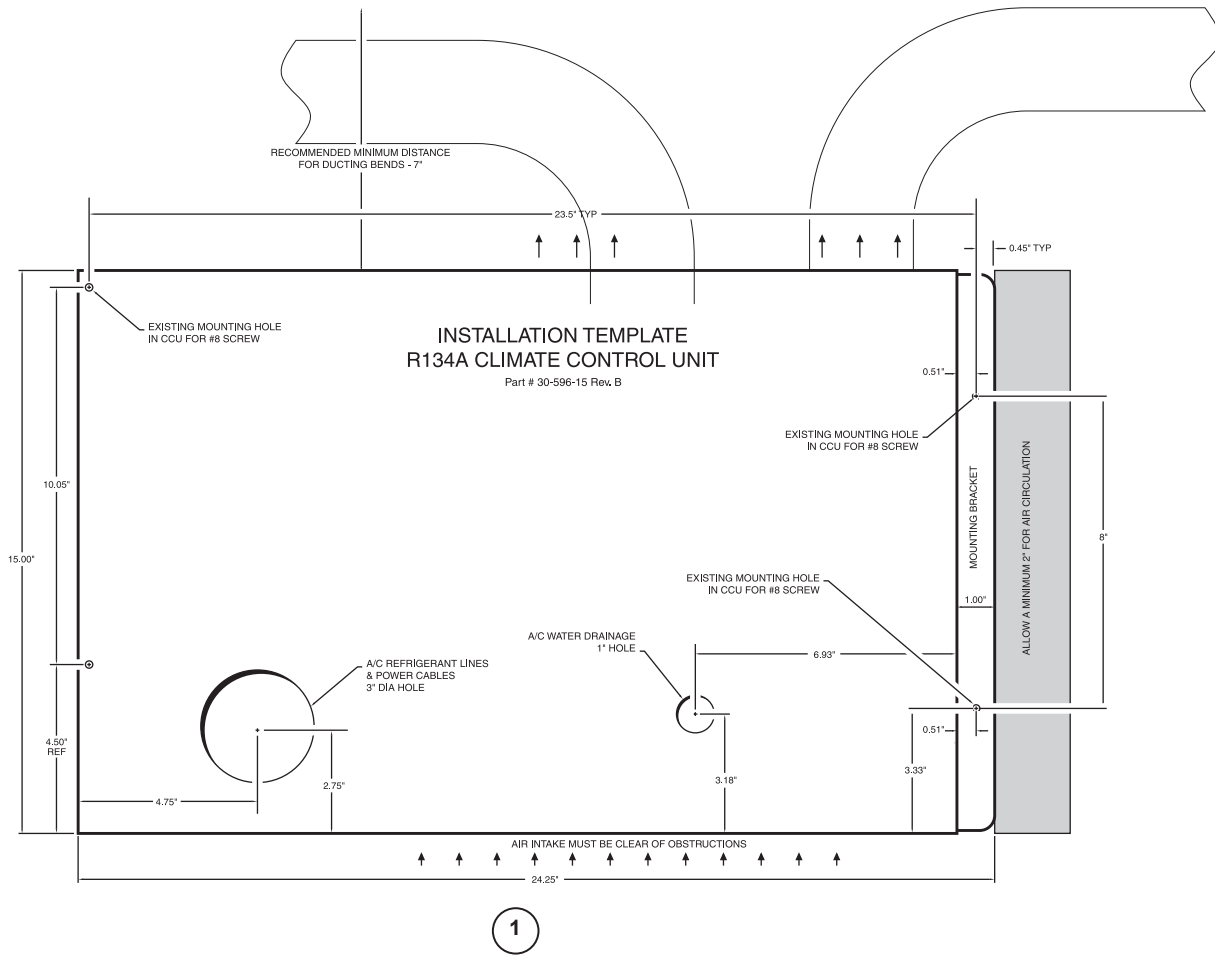
Item	Part #	Description	QTY
1	27-062-01K	Fitting 3/4 NPTM X 1/2 NPTF	1
2	89-403-01K	Fitting 1/2 NPTM X 1 Nipple	1
3	75-518-01K	Y Connector	1
4	27-120-01K	Coolant Tap, 1/2", Ball	1
5	27-083-01K	Clamp, 1-1/16" Diameter, Spring	1
6	27-015-02K	Hose, 3/4" ID, Silicone	1
7	27-032-01K	Fitting, 3/4 Barb x 1/2 NPT Male	1

**24. Accessories - Cable Ties/Loom**



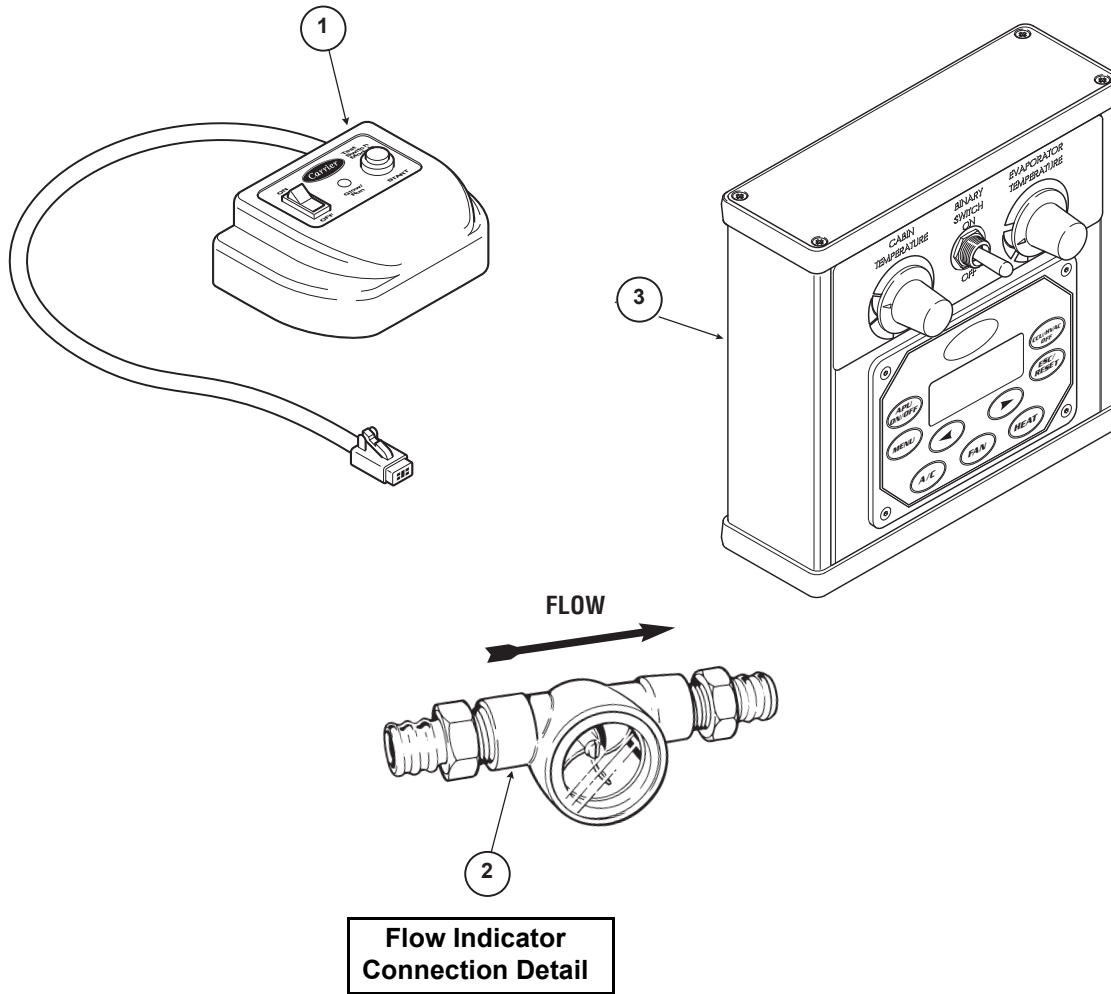
Item	Part #	Description	QTY
1	26-076-01K	Cable Tie, 3.9", White	A/R
	26-076-02K	Cable Tie, 11.5", Black	
	26-403-01K	Cable Tie, 14", Black	
2	26-082-01K	Loom, 1/2"	A/R
	28-048-01K	Loom, 1"	

## 25. Accessories - Documentation



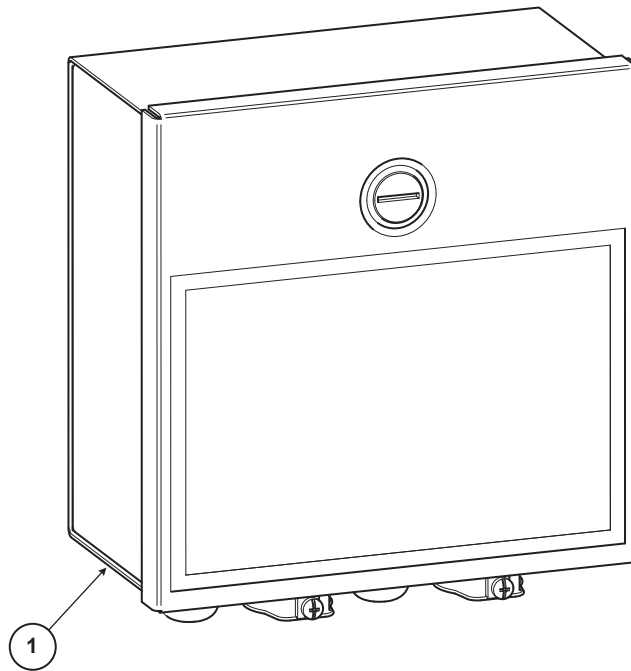
Item	Part #	Description	QTY
1	30-596-15K	CCU Mounting Template	1

## 26. Test Equipment and Special Tools



Item	Part #	Description	QTY
1	PG1008	Test Switch Module	1
2	TK9002	Flow Indicator Allows user to determine: - Direction of flow - Speed of flow - Air (if any in the coolant system)	1
3	PG1025	CCU Diagnostic Tool	1
NS	PG1031	PIC Programmer Kit	1
NS	PG1027	Programmer, Software, APU, CCU, DCP	1
NS	PG1028	Programmer Cable, USB Upgrade Kit	1
NS	07-00463-00	Laser Alignment Tool	1

## 27. Optional Equipment and Accessories



Item	Part #	Description	QTY
1	PG1000	Shore Power Switch Assembly (APU) - Includes:	
	29-011-00K	Breaker Kit	
	29-018-00K	Battery Charger, 10 amp	
	29-025-05K	Harness, Ground, Shore Power	
	29-027-00K	Installation Kit, Shore Power	
	29-030-00K	Switch Assembly, Selection, Shore Power	
	29-032-10K	Receptacle, Shore Power Kit	
	29-035-00K	Cable Assembly, Shore Power	
	29-040-77K	Handbook, Shore Power	
	29-045-00K	Harness, DC, Shore Power (for units with CCU Board hardware Rev A or B)	
	29-045-01K	Harness, DC, Shore Power (for units with CCU board hardware Rev C)	
	29-055-05K	Harness, AC, Shore Power	
	30-538-01K	Cable, 10 AWG, 2-Conductor	
	30-538-30K	Cable, Teck, Sub-Assembly Kit	
	PG1011	APU Control Extended Harness Kit	
	PG1014	Wall Mount Duct with Diffuser	
	PG1016	Wall Mount Duct with Extension, 4' Long	
	PG1023	Condenser Winter Cover, Large	
	30-927-01K	APU Service Lockout Switch	







**WARNING:** Breathing diesel engine exhaust exposes you to chemicals known to the State of California to cause cancer and birth defects or other reproductive harm.

- Always start and operate the engine in a well-ventilated area.
- If in an enclosed area, vent the exhaust to the outside.
- Do not modify or tamper with the exhaust system.
- Do not idle the engine except as necessary.

For more information, go to  
[www.P65warnings.ca.gov/diesel](http://www.P65warnings.ca.gov/diesel)

Specifications are subject to change without notice.  
Consult your Carrier Transicold representative for details on warranty coverage.

North America  
Carrier Transicold  
700 Olympic Drive  
Athens, GA 30601 USA

Central America and Mexico  
Carrier Transicold  
Ejercito Nacional 253-A Piso 5  
Colonia Anahuac  
11320 Mexico D.F.



[www.trucktrailer.carrier.com](http://www.trucktrailer.carrier.com)