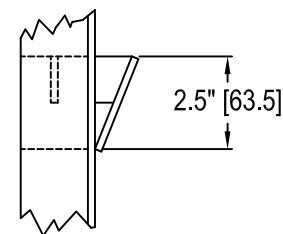
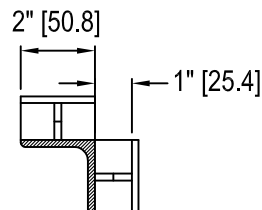
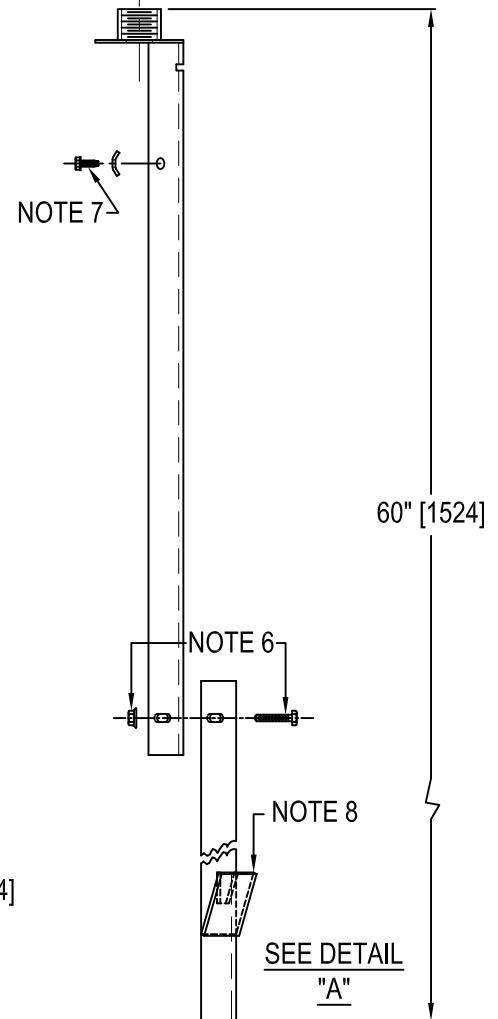
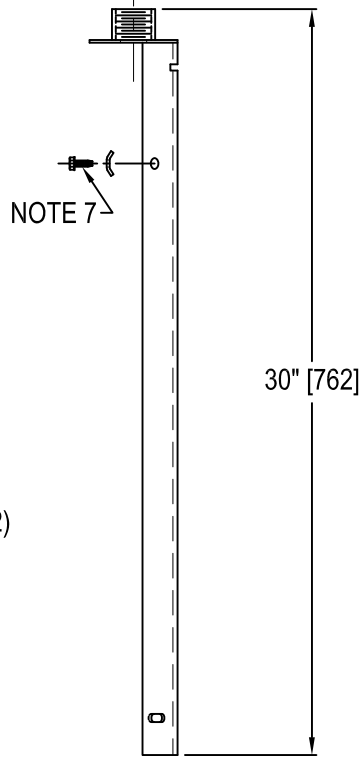
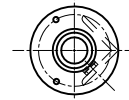
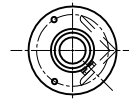


Mounting Stake

# Mounting Stake

(AW2205 - 1½")  
(AW2202 - 2")

(AW2205AH - 1½")  
(AW2202AH - 2")



DETAIL "A"

[ ] = dimensions in metrics; mm

1. Approved and Certified to FAA Advisory Circular AC-150/5345-46 By Light Manufacturers
2. Mounting stakes are galvanized to ASTM-A123/A123M-02
3. AW2202AH and AW2205AH meet Canadian requirements
4. Threads are clean and uncoated
5. Shipped with:  
Hardware packup #6119 which contains:  
(1) 2 hole cable clamp (8094)  
(2) #10-24 x 1 3/4" SS machine screws (10661012)
6. For AW2202AH and AW2205AH  
Additional hardware packup includes:  
(2) 3/8"-16 x 1 1/4" SS hex head bolts (10650202)  
(2) 3/8"-16 Wiz Lock Nuts (10681784)
7. OPTIONAL:  
(1) Ground clip (AW0923) with  
(1) 1/4"-20 x 1" self tapping screw (10645064)
8. Canadian Pullout Tangs
9. Bolt-on extensions available for any standard stake.  
Various lengths available.  
Custom length one piece stakes available.