

FLOW RATE: 625gpm EACH REACTION CHAMBER = 2500gpm

ELECTRICAL: 2400V Ø3, 2000A

AIR: 60psi

PLUMBING: 6" FEED 12" TREATED SCH 80 PVC

PLUMBING WEIGHT: APPROX. 4452.5lbs

PUMP WEIGHT: APPROX. 3000lbs

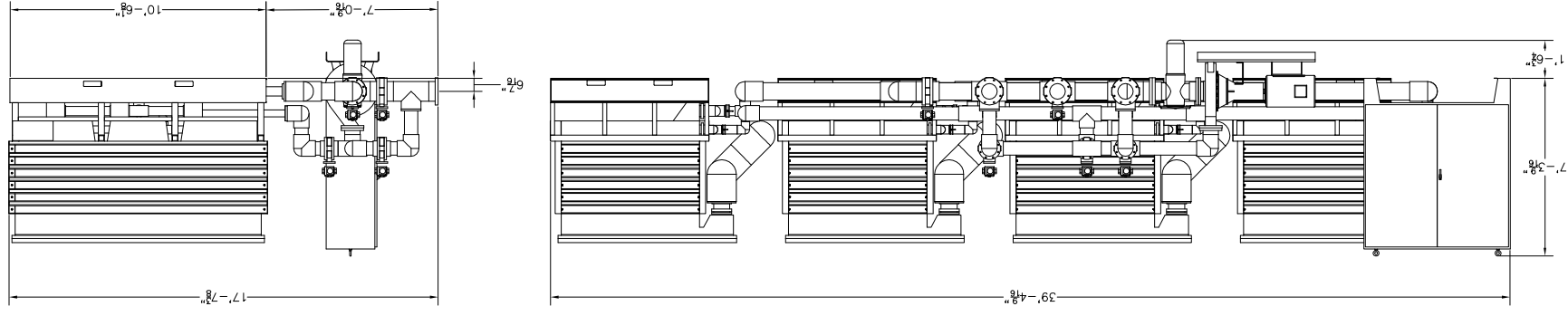
EC ON SKID WEIGHT: APPROX. - 10754.75lbs

STEEL BLADES: - APPROX. 162,600lbs

ALUM. BLADES: - APPROX. 57,950.5lbs

WET WEIGHT: APPROX. 7053.64lbs + SKID + BLADE WEIGHT

SPECIFICATIONS:



19331 EAST TUFTS CIRCLE - CENTENNIAL, CO 80015-5620 - TEL: (303) 627-0320 - FAX: (303) 627-0116 - www.powellwater.com

2500gpm ECav SYSTEM INSTALLATION/SPECIFICATION

445667