



PART DEFLECTOR SHIELDS

ELIMINATES CONTAMINATION, INCREASES PRODUCTIVITY



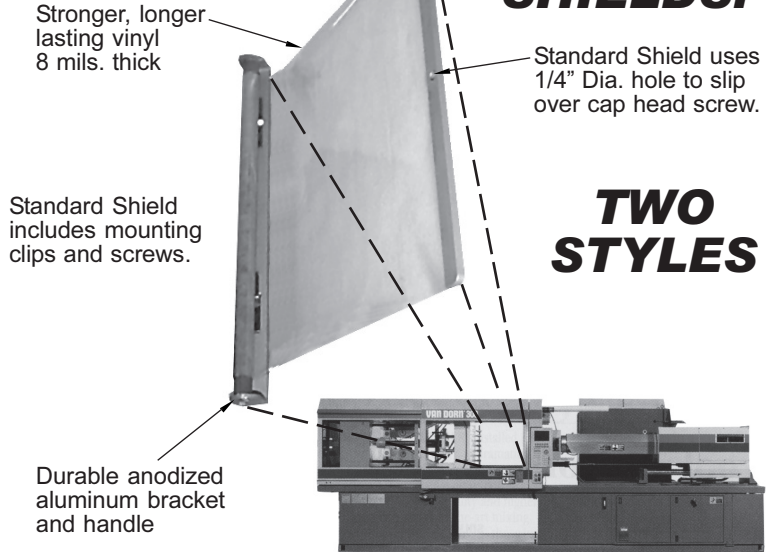
Our Part Deflector Shields greatly reduce the amount of waste that is generated when parts fall onto the floor and become contaminated with dirt, oil etc. Shields are offered in two (2) styles: Standard Shield with low profile mounting brackets and Portable Quick Shield with strong rare earth mounting magnets.

FEATURES INCLUDE

- Clear view of the mold through tougher, flexible 8 mil. vinyl.
- Retracts with torsion springs.
- Low profile mounting prevents interference with the water lines.
- Double sealed bearings for smooth rotation and longer life.
- Anodized aluminum bracket and handle for outstanding impact and strength.
- Protects front and rear while viewing mold operation.
- Replace shields easily yourself.
- Quick release mechanism allows easy access to the mold and removal of the shield.
- Vinyl sheeting has good insulation properties.
- Heat resistance up to 300° F.

MORE SIZES

THE BETTER SHIELDS!



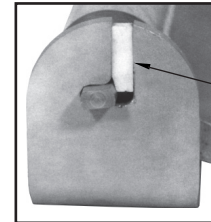
TWO STYLES

To remove Standard Shield from mold quickly and easily, slide bracket off mounting clips.

You asked, so we made it simple...



Torsion springs inside dowel retracts the shield.



Removable plastic slat for quick shield replacement.

PORTABLE QUICK SHIELD WITH MOUNTING MAGNETS

STANDARD SHIELD WITH LOW PROFILE MOUNTING CLIPS

PART DEFLECTOR "QUICK" SHIELD				SHIELD REPLACEMENT	
PART NO.	HEIGHT	LENGTH	PRICE EA.	PART NO.	PRICE EA.
PDQ06	6"	25"	\$73.65	QSV06	\$11.60
PDQ08	8"	25"	\$81.15	QSV08	\$12.95
PDQ10	10"	25"	\$92.40	QSV10	\$13.75
PDQ12	12"	25"	\$102.05	QSV12	\$14.85
PDQ14	14"	25"	\$113.30	QSV14	\$15.70
PDQ16	16"	25"	\$119.45	QSV16	\$16.55
PDQ18	18"	25"	\$130.60	QSV18	\$16.85
PDQ20	20"	25"	\$135.40	QSV20	\$17.65
PDQ24	24"	25"	\$142.25	QSV24	\$21.10
PDQ28	28"	25"	\$150.30	QSV28	\$24.95
PDQ32	32"	25"	\$159.95	QSV32	\$28.35
PDQ36	36"	25"	\$168.00	QSV36	\$31.85
PDQ50	36"	50"	\$197.75	QSV50	\$53.65
PDQ60	36"	60"	\$229.90	QSV60	\$60.55

PART DEFLECTOR SHIELD				SHIELD REPLACEMENT	
PART NO.	HEIGHT	LENGTH	PRICE EA.	PART NO.	PRICE EA.
PDS06	6"	25"	\$53.80	QSV06	\$11.60
PDS08	8"	25"	\$59.60	QSV08	\$12.95
PDS10	10"	25"	\$69.10	QSV10	\$13.75
PDS12	12"	25"	\$75.85	QSV12	\$14.85
PDS14	14"	25"	\$84.05	QSV14	\$15.70
PDS16	16"	25"	\$94.00	QSV16	\$16.55
PDS18	18"	25"	\$100.35	QSV18	\$16.85
PDS20	20"	25"	\$101.80	QSV20	\$17.65
PDS24	24"	25"	\$108.10	QSV24	\$21.10
PDS28	28"	25"	\$114.95	QSV28	\$24.95
PDS32	32"	25"	\$121.70	QSV32	\$28.35
PDS36	36"	25"	\$129.15	QSV36	\$31.85

← **2 LONGER SIZES ADDED**



PLASTIC PROCESS EQUIPMENT, INC.

www.ppe.com • e-mail: sales@ppe.com

PPE WEST 6385 Montessouri Street, Las Vegas, Nevada 89113
702-433-6385 • 800-258-8877 • Fax: 702-433-6388

PPE SOUTH 11218 Challenger Avenue, Odessa, Florida 33556
727-834-8888 • 800-282-6783 • Fax: 727-834-8873

8303 CORPORATE PARK DRIVE, MACEDONIA (Cleveland), OHIO 44056, USA

Toll Free: USA, Canada & Mexico
800-362-0706

216-367-7000 • Toll Free: 800-321-0562 • Fax: 216-367-7022 • Order Fax: 800-223-8305