

For swing gates with leaves up to 2.4 m, ideal for large columns.

Irreversible electromechanical 24 Vdc gear motor with articulated arm, surface mounted. Ideal for intensive use.

Two irreversible 24 Vdc motors with micrometric adjustment mechanical stops on opening and closing: with built-in control unit (H07124) and without control unit (H07224).

Powerful thanks to the 250 Nm torque.

Resistant and compact: 180 mm in width, ideal for any kind of post. Small shockproof body with aluminium base.

Sturdy, aluminium anti-shearing arm.

Easy to install: thanks to the new fixing bracket with quick connector for the motor. No welding.

Sophisticated electronics with the built-in control unit, just 3 keys to manage all programming operations:

- obstacle detection and possibility of connecting to 8.2 KOhm sensitive edge, fototest;
- automatic fault diagnostics;
- memorisation of opening and closing travel limits in self-learning mode;
- possibility of configuring the stop input in self-learning mode, NO, NC and the latest generation 8.2 KOhm resistive sensitive edges;
- deceleration on opening and closing;
- simple connection of pairs of additional photocells, foto2;
- programming of pause time;
- pedestrian open and partial open;
- clutch with anti-crushing safety mechanism.

Energy saving with no black outs:

3 standby modes to reduce mains consumption, or battery power consumption if connected to the Solemyo kit.

Operation in the event of a power failure thanks to the optional batteries (PS124).

Everything under control: thanks to compatibility for operation with Opera system BUS T4, the unit can be used to expand the options of programming, control and diagnostics of the automation on site and remotely.



| CODE | DESCRIPTION | PACK/PALLET |
|---------------|--|-------------|
| H07124 | IRREVERSIBLE 24 Vdc, COMPLETE WITH ARTICULATED ARM AND BUILT-IN CONTROL UNIT | 12 |
| H07224 | IRREVERSIBLE 24 Vdc, COMPLETE WITH ARTICULATED ARM WITHOUT CONTROL UNIT | 12 |

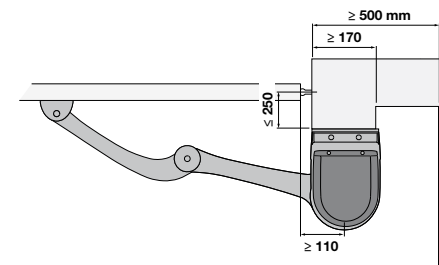
N.B. The content of the package may vary: consult the retailer.

TECHNICAL SPECIFICATIONS

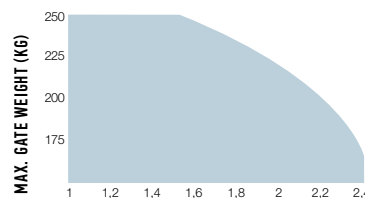
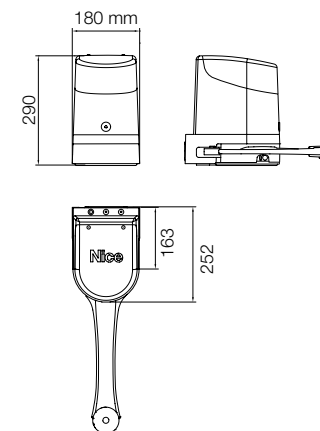
| CODE | H07124 | H07224 |
|-------------------------------------|--------|---------------|
| ELECTRICAL DATA | | |
| POWER SUPPLY (Vac 50/60 Hz) | 230 | - |
| POWER SUPPLY (Vdc) | - | 24 |
| ABSORPTION (A) | 1.3 | 4 |
| POWER (W) | 280 | 100 |
| PERFORMANCE DATA | | |
| SPEED (rpm) | | 1.68 |
| TORQUE (Nm) | | 250 |
| WORK CYCLE (CYCLES/HOUR) | | 35 |
| DIMENSIONAL AND GENERAL DATA | | |
| PROTECTION LEVEL (IP) | | 54 |
| WORKING TEMP. (°C MIN/MAX) | | -20 ÷ +50 |
| DIMENSIONS (mm) | | 252x180x290 h |
| WEIGHT (kg) | 9 | 6.5 |

* Version without control unit, only if associated with PP7124

UTILISATION LIMITS



DIMENSIONS



MAX. GATE LENGTH (M)

The shape, the height of the gate and the weather conditions can considerably reduce the values shown in the graph to the side.